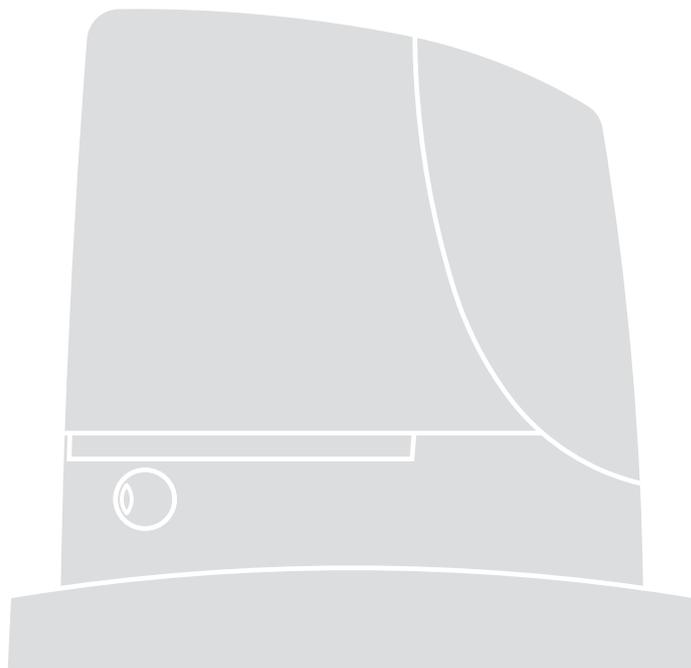


RUN

CE

RUN1800
RUN1800P
RUN2500
RUN2500P



Sliding Gate Opener

EN - Instructions and warnings for installation and use

IT - Istruzioni ed avvertenze per l'installazione e l'uso

FR - Instructions et avertissements pour l'installation et l'utilisation

ES - Instrucciones y advertencias para la instalación y el uso

DE - Installierungs-und Gebrauchsanleitungen und Hinweise

PL - Instrukcje i ostrzeżenia do instalacji i użytkowania

NL - Aanwijzingen en aanbevelingen voor installatie en gebruik

RU - Инструкции и важная информация для технических специалистов

Nice

Table of contents:		page		
1	Warnings	3	7.2.1	Level one functions (ON-OFF functions) 13
2	Product description and applications	4	7.2.2	Level one programming (ON-OFF functions) 14
2.1	Operating limits	4	7.2.3	Level two functions (adjustable parameters) 14
2.2	Typical system	6	7.2.4	Level two programming (adjustable parameters) 15
2.3	List of cables	6	7.2.5	Level one programming example (ON-OFF functions) 16
3	Installation	7	7.2.6	Level two programming example (adjustable parameters) 16
3.1	Preliminary checks	7	7.3	Adding or removing devices 16
3.2	Installation of the gearmotor	7	7.3.1	BlueBUS 16
3.3	Fixing of the limit switch bracket on versions with inductive limit switch	8	7.3.2	STOP input 17
3.4	Installation of the various devices	9	7.3.3	Photocells 17
3.5	Electrical connections	9	7.3.4	FT210B Photo-sensor 17
3.6	Description of the electrical connections	10	7.3.5	RUN in "Slave" mode 18
4	Final checks and start up	10	7.3.6	Self-learning Other Devices 19
4.1	Choosing the direction	10	7.4	Special functions 19
4.2	Power supply connection	10	7.4.1	"Always open" Function 19
4.3	Device self-learning	10	7.4.2	"Move anyway" function 19
4.4	Leaf length self-learning	11	7.4.3	Heating and cooling control system 19
4.5	Checking gate movements	11	7.4.4	Maintenance warning 19
4.6	Preset functions	11	7.5	Connection of Other Devices 20
4.7	Radio receiver	11	7.6	Troubleshooting 21
5	Testing and commissioning	11	7.6.1	Malfunctions archive 21
5.1	Testing	12	7.7	Diagnostics and signals 21
5.2	Commissioning	12	7.7.1	Flashing light signalling 22
6	Maintenance and Disposal	12	7.7.2	Signals on the control unit 22
6.1	Maintenance	12	7.8	Accessories 23
6.2	Disposal	12	7.8.1	Remote programming unit 23
7	Additional information	13	8	Technical characteristics 24
7.1	Programming keys	13		Instructions and Warnings for users of RUN gearmotor 25
7.2	Programming	13		CE Declaration of Conformity 27

1) Warnings

This manual contains important information regarding safety. Before starting installation of the components, it is important that you read all the information contained herein. Store this manual safely for future use. Due to the dangers which may arise during both the installation and use of the RUN, installation must be carried out in full observance of the laws, provisions and rules currently in force to ensure maximum safety. This chapter provides details of general warnings. Other more specific warnings are detailed in Chapters “3.1 Preliminary Checks” and “5 Testing and Commissioning”.

⚠ According to the most recent European legislation, the automation of doors or gates is governed by the provisions listed in Directive 98/37/CE (Machine Directive) and, more specifically the standards: EN 13241-1 (harmonised standard); EN 12445; EN 12453 and EN 12635, which enables the declaration of machine conformity to the machine directive.

Visit “www.niceforyou.com” for further information and guidelines for risk analysis and how to draw up the Technical Documentation. This manual has been especially written for use by qualified fitters. Except for the enclosed specification “Instructions and Warnings for Users of the RUN gearmotor” to be removed by the installer, none of the information provided in this manual can be considered as being of interest to the end users!

- Any use or operation of RUN not explicitly provided for in these instructions is not permitted. Improper use may cause damage and personal injury.
- A risk analysis must be carried out before starting installation, including a the list of essential safety requisites provided for in Enclosure I of the Machine Directive, indicating the relative solutions employed. N.B. Risk analysis is one of the documents included in the “Technical Documentation” for this automation.
- Check whether additional devices are needed to complete the automation with RUN based on the specific application requirements and dangers present. The following risks must be considered: impact, crushing, shearing, dragging, etc. as well as other general dangers.
- Do not modify any components unless such action is specified in this manual. Operations of this type are likely to lead to malfunctions. NICE disclaims any liability for damage resulting from modified products.
- During installation and use, ensure that solid objects or liquids do not penetrate the control unit or other open devices. If necessary, contact the NICE customer service department; use of RUN in these conditions can be dangerous.
- The automation system must not be used until it has been commissioned as described in chapter 5 “Testing and commissioning”.
- The RUN packaging materials must be disposed of in compliance with local regulations.
- If a fault occurs that cannot be solved using the information provided in this manual, contact the NICE customer service department.
- In the event that any automatic switches are tripped or fuses blown, attempt to identify and eliminate the relative fault.
- Disconnect all the power supply circuits before accessing the terminals inside the RUN cover. If the disconnection device is not identifiable, affix the following sign: “WARNING: MAINTENANCE WORK IN PROGRESS”.

Special warnings concerning the suitable use of this product in relation to the 98/37CE “Machine Directive” (ex 89/392/CEE):

- This product is issued on the market as a “machine component” and is therefore manufactured to be integrated in a machine or assembled with other machines in order to create “a machine”, in accordance with the directive 98/37/EC, exclusively in combination with other components and in the manner described in the present instructions manual. As specified in the directive 98/37CE the use of this product is not admitted until the manufacturer of the machine on which this product is mounted has identified and declared it as conforming to the directive 98/37/CE.

Special warnings concerning suitable use of this product in relation to the 73/23/EEC “Low Voltage” Directive and subsequent amendments 93/68/CEE:

- This product complies with the provisions envisaged by the “Low Voltage” Directive if used in the configurations foreseen in this instruction manual and in combination with the articles present in the Nice S.p.a. product catalogue. If the product is not used in the specified configurations or is used with other products that have not been foreseen, the requirements may not be guaranteed; use of the product is prohibited in these conditions until compliance with the requirements foreseen by the directive has been verified by installers.

Special warnings concerning suitable use of this product in relation to the 89/336/EEC “Electromagnetic Compatibility” Directive and subsequent amendments 92/31/EEC and 93/68/EEC:

- This product has undergone tests regarding electromagnetic compatibility in the most critical of use conditions, in the configurations foreseen in this instruction manual and in combination with articles present in the Nice S.p.A. product catalogue. Electromagnetic compatibility may not be guaranteed if used in configurations or with other products that have not been foreseen; use of the product is prohibited in these conditions until compliance with the requirements foreseen by the directive has been verified by installers.

2) Product description and applications

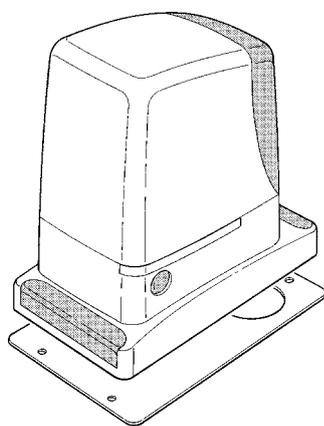
RUN is a range of irreversible electromechanical gearmotors used for the automation of sliding gates. They are equipped with an electronic control unit and an "SM" type connector for radio control receivers (optional). Electrical connections to external devices are facilitated thanks to the use of the "BlueBUS" system, which enables the connection of several devices by means of just 2 wires. The list of devices compatible for connection to the Run BlueBUS is given in chapter 7.3.1 "BlueBUS"; an updated list, with relative compatibility

is also available at: www.niceforyou.com. RUN is equipped with a connector for remote programming units to enable complete and quick management of installation, maintenance, troubleshooting of any malfunctions; refer also to 7.8.1 "Remote programming unit". RUN is electrically powered, in the event of a power failure, the device can be released by means of the special key, to enable manual movement of the gate.

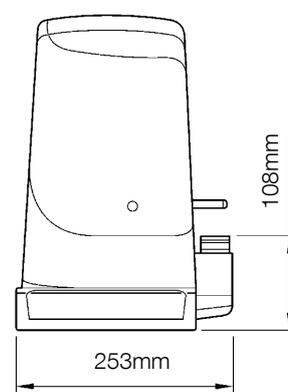
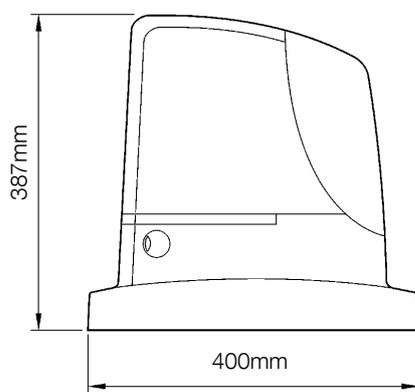
Other products are also part of the RUN range, the difference of which is described in table 1.

Table 1: comparison of the RUN gearmotor main characteristics				
Gearmotor type	RUN1800	RUN1800P	RUN2500	RUN2500P
Limit switch type	electromechanical	inductive proximity	electromechanical	inductive proximity
Maximum leaf length	15m		18m	
Maximum leaf weight	1800 kg		2500 kg	
Peak thrust (corresponding to a force)	40Nm (1110N)		50Nm (1390N)	
Motor	Single phase asynchronous maximum 700W		Single phase asynchronous maximum 870W	

Note: 1kg = 9,81N for example: 1390N = 142 kg



1



2.1) Operating limits

Chapter 8 "Technical Characteristics" provides the only data needed to determine whether the products of the RUN line are suitable for the intended application. The structural characteristics of RUN make it suitable for use on sliding leaves in conformity with the limits specified in tables 2, 3 and 4.

The effective suitability of RUN to automate a sliding gate depends on friction and other factors, even occasional, such as the presence of ice which could obstruct leaf movement. To ensure suitability, it is absolutely vital to measure the force necessary to move the leaf throughout its entire run and ensure that this is less than half of the "nominal torque" indicated in chapter 8 "Technical characteristics" (a 50% margin on the force is recommended, as unfavourable climatic conditions may cause an increase in the friction); furthermore, the

data specified in tables 2 and 3 should be taken into account to establish the number of cycles/hour and consecutive cycles.

Table 2: limits in relation to the length of the leaf				
Leaf width(m)	RUN1800/ RUN1800P		RUN2500/ RUN2500P	
	max. cycles/hour	max. consecutive cycles	max. cycles/hour	max. consecutive cycles
Up to 6	42	28	42	42
6 ÷ 9	28	18	28	28
9 ÷ 12	21	14	21	21
12 ÷ 15	17	11	17	17
15 ÷ 18			14	14

Table 3: limits in relation to the weight of the leaf

Leaf weight (kg)	RUN1800/ RUN1800P	RUN2500/ RUN2500P
	Cycle percentage	Cycle percentage
Up to 500	100%	100%
500 ÷ 900	80	80
900 ÷ 1200	75	75
1200 ÷ 1500	60	60
1500 ÷ 1800	50	50
2000 ÷ 2300	---	40
2300 ÷ 2500	---	30

The length of the leaf enables the calculation of both the maximum number of cycles per hour and consecutive cycles, while the weight enables the calculation of the percentage of cycle reduction and the maximum speed allowed. For example, for RUN1800 if the leaf is 10 m long it will be possible to have 21 cycles/hour and 14 consecutive cycles. However, if the leaf weighs 1300 kg, they must be reduced by 60 %, resulting in 9 cycles/hour and 8 consecutive cycles. The control unit has a limiting device which prevents the risk of overheating based on the load of the motor and duration of the cycles. This device triggers when the maximum limit is exceeded. The manoeuvre limiting device also measures the ambient temperature reducing the number of manoeuvres further when the temperature is particularly high.

The “durability” estimate is shown in chapter 8 “Technical characteristics”, which is the average useful life of the product. The value is strongly influenced by the severity index of the manoeuvre, this being the sum of all factors that contribute to wear. To make this estimate, all severity indexes in table 4 must be added together, and the result should be used to check estimated durability in the graph.

For example: for RUN1800 on a gate weighing 1300 kg and 10 m in length, equipped with photocells and other stress related elements obtains a severity index equal to 45% (20+15+10). From the graph the estimated durability is equal to 200.000 cycles.

Note that the estimated durability is calculated on the basis of design specifications and the results of tests performed on prototypes; as this is an estimate only, it does not represent any form of guarantee on the effective durability of the product.

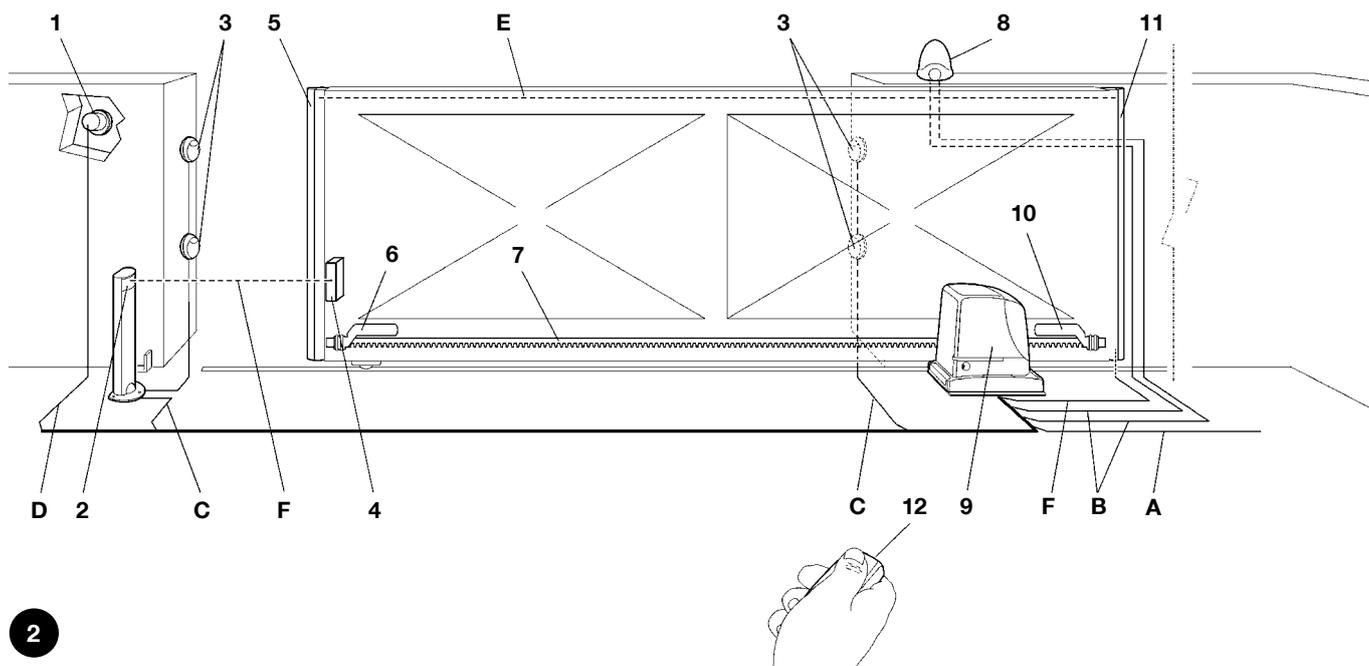
Table 4: durability estimate in relation to the manoeuvre severity index

Severity index %	Run		Durability in cycles
	1800	2500	
Leaf weight kg			
Up to 500	5	5	
500 ÷ 900	10	10	
900 ÷ 1200	20	20	
1200 ÷ 1500	30	30	
1500 ÷ 1800	40	40	
1800 ÷ 2200	-	50	
2200 ÷ 2500	-	60	
Leaf length m			
Up to 6	5	5	
6 ÷ 9	10	10	
9 ÷ 12	15	15	
12 ÷ 15	25	25	
15 ÷ 18	-	35	
Other stress related elements (to be taken into consideration if the probability is greater than 10%)			
Ambient temperature greater than 40°C or lower than 0°C or humidity greater than 80%	10	10	
Presence of dust and sand	15	15	
Presence of salinity	20	20	
Photo manoeuvre interruption	10	10	
Stop manoeuvre interruption	20	20	
Thrust active	10	10	
Severity index total%:			

Note: if the index of severity exceeds 100% this means that the conditions are outside the limits of acceptability; in this case the use of a larger-sized model is recommended.

2.2) Typical system

Figure 2 shows a typical system for automating a sliding gate using RUN.



2

- 1 Key-operated selector switch
- 2 Receiver FT210B
- 3 Photocells
- 4 Transmitter FT210B
- 5 Primary movable edge
- 6 "Open" limit switch bracket
- 7 Rack
- 8 Flashing light with incorporated aerial
- 9 RUN
- 10 "Closed" limit switch bracket
- 11 Primary movable edge (optional)
- 12 Radio transmitter

2.3) List of cables

The typical system shown in figure 2 also states the cables required for connection of the various devices, the specifications of which are provided in table 5.

⚠ The cables used must be suitable for the type of installation; for example, an H03VV-F type cable is recommended for indoor applications, while H07RN-F is suitable for outdoor applications.

Table 5: List of cables

Connection	Cable type	Maximum admissible length
A: Electrical power line	N°1 cable 3x1,5mm ²	30m (note 1)
B: Flashing light with aerial	N°1 cable 2x0,5mm ²	20m
	N°1 shielded cable type RG58	20m (less than 5m recommended)
C: Photocells	N°1 cable 2x0,5mm ²	30m (note 2)
D: Key-operated selector switch	N°2 cable 2x0,5mm ² (note 3)	50m
E: Connection between 2 movable edges	N°1 cable 2x0,5mm ² (note 4)	20m
F: Movable edge connection	N°1 cable 2x0,5mm ² (note 5)	30m

Note 1: power supply cable longer than 30 m may be used provided it has a larger gauge, e.g. 3x2,5mm², and that a safety earthing system is provided near the automation unit.

Note 2: If the "BLUEBUS" cable is longer than 30 m, up to 50 m, a 2x1mm² cable is needed.

Note 3: A single 4x0,5mm² cable can be used instead of two 2x0,5mm² cables.

Note 4: Refer to Chapter "7.3.2 STOP Input" in situations where there is more than one edge, for information about the type of connection recommended by the manufacturer.

Note 5: special devices which enable connection even when the leaf is moving must be used to connect movable edges to sliding leaves; con l'anta in movimento; nella figura è indicato l'utilizzo di FT210B.

3) Installation

⚠ The installation of RUN must be carried out by qualified personnel in compliance with current legislation, standards and regulations, and the directions provided in this manual.

3.1) Preliminary checks

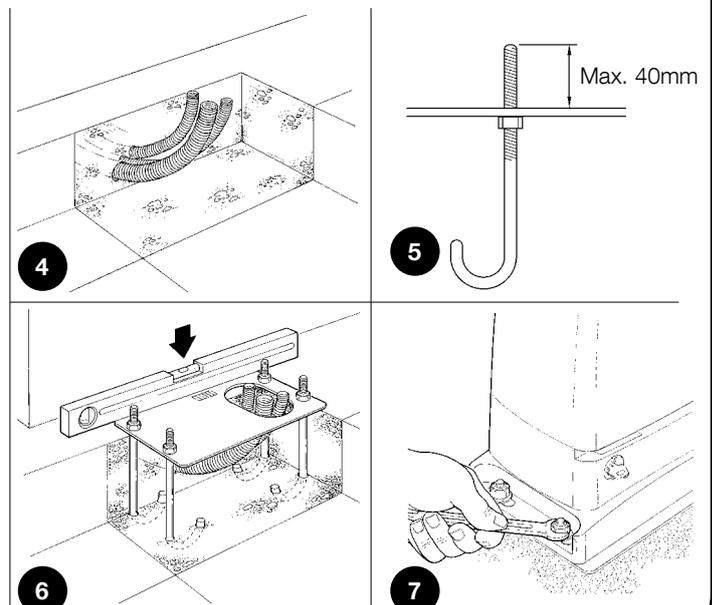
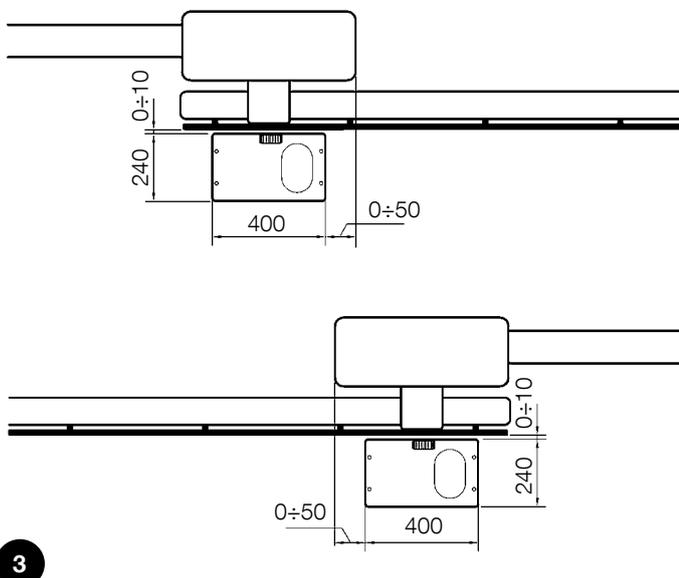
Before proceeding with the installation of RUN:

- Check that all the materials are in excellent condition, suitable for use and compliant with current standards.
 - Ensure that the structure of the gate is suitable for automation.
 - Ensure that the weight and dimensions of the leaf fall within the specified operating limits provided in chapter "2.1 Operating limits".
 - Check that the force required to start the movement of the leaf is less than half the "maximum torque", and that the force required to keep the leaf in movement is less than half the "nominal torque". Compare the resulting values with those specified in Chapter "8 Technical Characteristics". The manufacturers recommend a 50% margin on the force, as unfavourable climatic conditions may cause an increase in the friction.
 - Ensure that there are no points of greater friction in the opening or closing travel of the gate leaves.
 - Ensure there is no danger of the gate derailing.
 - Ensure that the mechanical stops are sufficiently sturdy and that there is no risk of deformation even when the leaf hits the mechanical stop violently.
 - Ensure that the gate is well balanced: it must not move by itself when it is placed in any position.
 - Ensure that the area where the gearmotor is fixed is not subject to flooding. If necessary, mount the gearmotor raised from the ground.
 - Ensure that the installation area enables the release of the gearmotor and that it is safe and easy to release it.
- Ensure that the mounting positions of the various devices are protected from impact and that the mounting surfaces are sufficiently sturdy.
 - Components must never be immersed in water or other liquids.
 - Keep RUN away from heat sources and open flames; in acid, saline or potentially explosive atmosphere; this could damage RUN and cause malfunctions or hazardous situations.
 - If there is an access door in the leaf, or within the range of movement of the gate, make sure that it does not obstruct normal travel. Mount a suitable interlock system if necessary.
 - Only connect the control unit to a power supply line equipped with a safety grounding system.
 - The power supply line must be protected by suitable magneto-thermal and differential switches.
 - A disconnection device must be inserted in the power supply line from the electrical mains (the distance between the contacts must be at least 3.5 mm with an overvoltage category of III) or equivalent system, for example an outlet and relative plug. If the disconnection device for the power supply is not mounted near the automation, it must have a locking system to prevent unintentional, unauthorised connection.

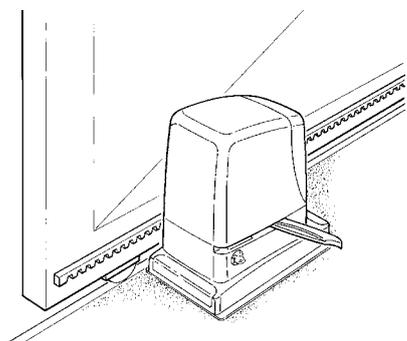
3.2) Installation of the gearmotor

The gearmotor must be secured directly to an already existing mounting surface using suitable means, for example expansion bolts. Otherwise, in order to fasten the gearmotor the installer must:

1. Dig a foundation hole with suitable dimensions referring to Figure 3.
2. Prepare one or more conduits for the electrical cables as shown in figure 4.
3. Assemble the 4 clamps on the foundation plate setting one nut underneath and one on top of the plate. The nut underneath the plate must be tightened as shown in Figure 5 so that the threaded part protrudes above the plate by max. 40 mm.
4. Pour the concrete and, before it starts to harden, set the foundation plate to the values shown in Figure 3. Check that it is parallel to the leaf and perfectly level (Figure 6). Wait for the concrete to harden completely.
5. Remove the 4 upper nuts on the plate and then position the gearmotor. Check that it is perfectly parallel to the leaf, then refit and tighten the four nuts and washers supplied, as shown in Figure 7.

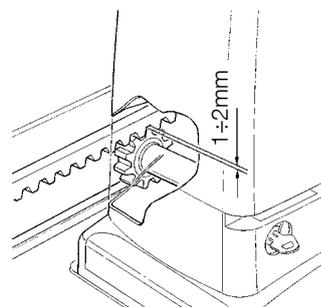


6. Release the gearmotor as shown in "Release and manual movement" paragraph in the Chapter "Instructions and Warnings for users of the RUN gearmotor".
7. Open the leaf up completely and place the first piece of the rack on the pinion. Check that the beginning of the rack corresponds to the beginning of the leaf, as shown in Figure 8. Leave 1÷2 mm play between the rack and the pinion, then fasten the rack to the leaf using suitable means.

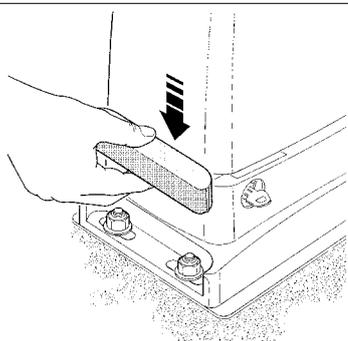


8

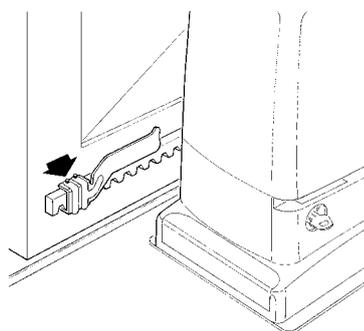
⚠ In order to prevent the weight of the leaf from affecting the gearmotor, it is important that there is a play of 1÷2 mm between the rack and the pinion as shown in Figure 9.



9



10



11

8. Slide the leaf, using the pinion as a reference point for the securing the other elements of the rack.
9. Cut away the excess section of the rack.
10. Open and close the gate several times and make sure that the rack is aligned with the pinion with a maximum tolerance of 5 mm. Moreover, check that the play of 1÷2 mm has been respected along the entire length between the pinion and the rack.
11. Thoroughly tighten the two fixing nuts of the gearmotor making sure it is well secured to the ground. Cover the fixing nuts with the relative caps as shown in figure 10.
12. Fix the limit switch bracket as described below (for versions RUN1800P and RUN2500P, fix the bracket as described in para-

graph "3.3 Fixing of the limit switch bracket on versions with inductive limit switch"):

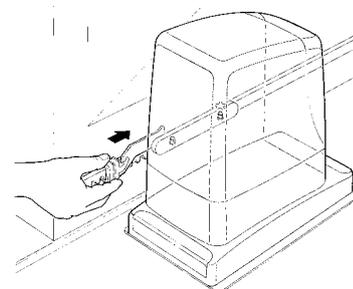
- Manually place the leaf in the open position leaving at least 2-3 cm from the mechanical stop.
 - Slide the bracket along the rack in the opening direction until the limit switch cuts-in. Then bring the bracket forward by at least 2 cm and secure it to the rack with the appropriate stud bolts, as shown in fig. 11.
 - Perform the same operation for the closure limit switch.
13. Secure the gearmotor as described in the paragraph "Release and manual movement" in the Chapter "Instructions and Warnings for Users".

3.3) Fixing of the limit switch bracket on versions with inductive limit switch

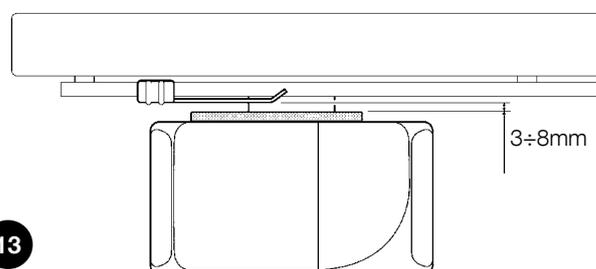
The limit switch bracket must be fixed as described below for the RB600P and RB1000P versions that utilise the inductive limit switch.

1. Manually place the leaf in the open position leaving at least 2-3 cm from the mechanical stop.
2. Slide the bracket along the rack in the opening direction until the corresponding LED switches off, as in fig. 12. Then bring the bracket forward by at least 2 cm and secure it to the rack with the appropriate stud bolts.
3. Manually place the leaf in the closed position leaving at least 2-3 cm from the mechanical stop.
4. Slide the bracket along the rack in the closing direction until the corresponding LED switches off. Then bring the bracket forward by at least 2 cm and secure it to the rack with the appropriate stud bolts.

⚠ Warning: the ideal distance of the bracket for inductive limit switches is between 3 and 8 mm as indicated in fig. 13.



12



13

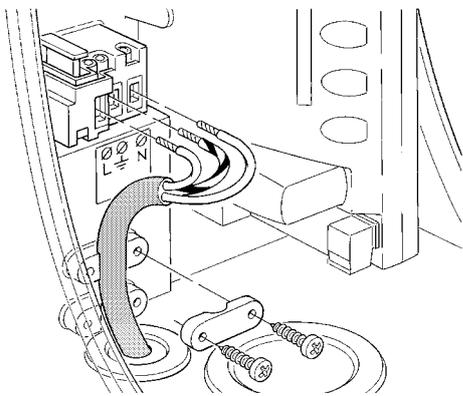
3.4) Installation of the various devices

If other devices are required, install them following the directions provided in the corresponding instructions. Check this in paragraph "3.6 Description of electrical connections" and the devices which can be connected to the RUN in Figure 2.

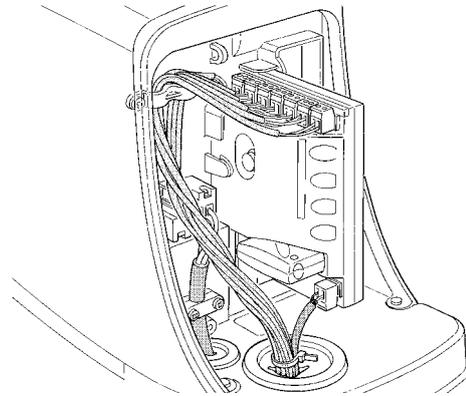
3.5) Electrical connections

⚠ Only carry out electrical connections once the electricity supply to the system has been switched off.

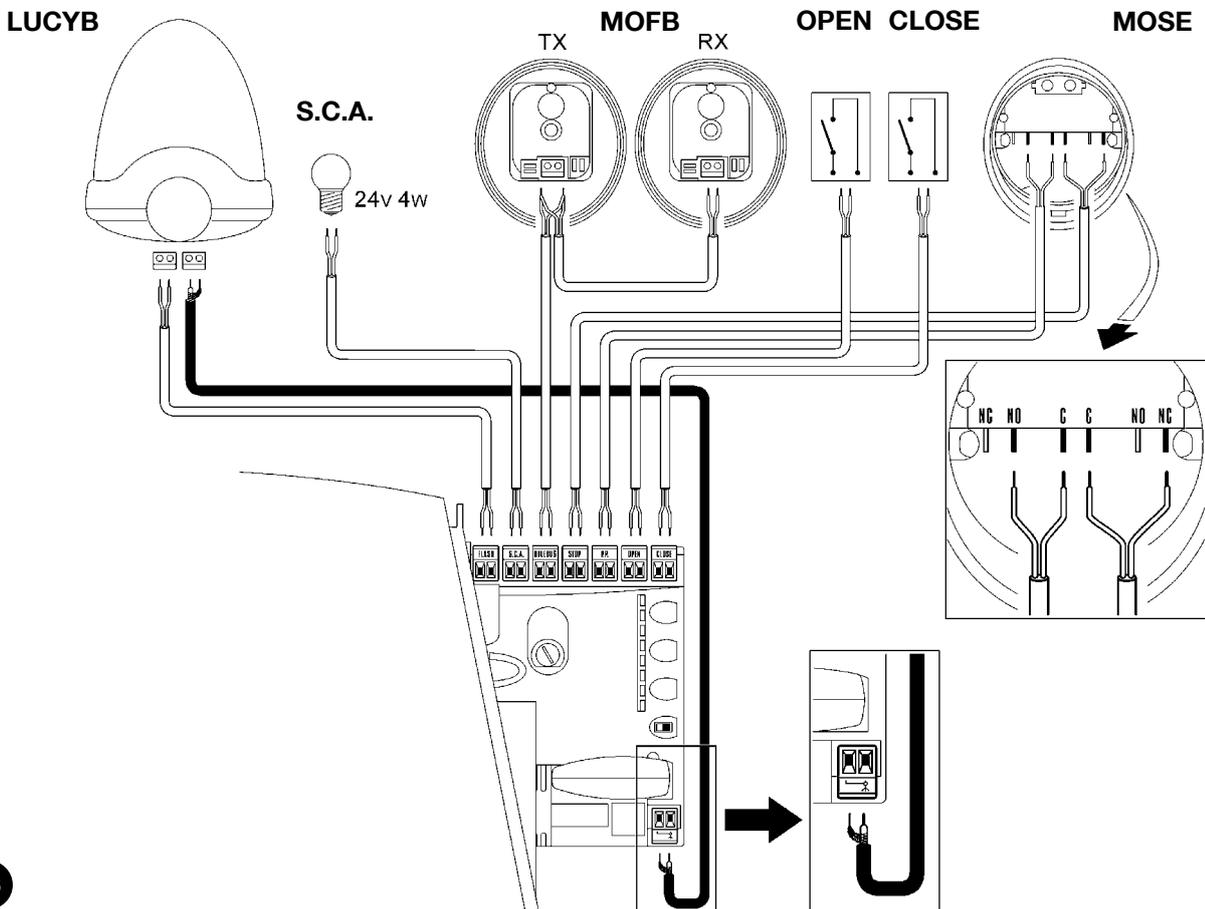
1. Remove the protection cover in order to access the electronic control unit of the RUN. The side screw must be removed, and the cover lifted upwards.
2. Remove the rubber membrane sealing off the two holes for routing the cables; insert the power cable in the smaller hole and all other cables for the various devices in the larger hole, leaving a length of 20÷30 cm longer than necessary. See Table 5 for information regarding the type of cables and Figure 2 for the connections.
3. Use a clamp to collect together and join the cables routed through the larger hole and place the clamp under the cable entry hole. Make a hole in the rubber membrane which is slightly smaller than the diameter of the cables joined by the clamp, and slide the membrane along the cables until it reaches the clamp. Then put the membrane back in its seat. Place a second clamp for collecting the cables which are set just above the membrane.
4. On the smaller membrane, cut a hole slightly smaller than the diameter of the power cable and slide the membrane along the cable until it fits into its seat.
5. Connect the power cable to the relative terminal as shown in figure 14, and secure the cable by means of the collar.
6. Connect up the other cables according to the diagram in Figure 16. The terminals can be removed in order to facilitate this procedure.
7. Once the connections have been completed, secure the cables joined in the clamps to the cable locking rings. The excess aerial cable must be secured to the other cables using another clamp as shown in Figure 15.



14



15



16

See paragraph "7.3.5 RUN in Slave mode" for the connection of 2 motors on opposite leaves.

3.6) Description of the electrical connections

The following is a brief description of the electrical connections; for further information please read "7.3 Adding or Removing Devices" paragraph.

FLASH: output for one or two "LUCYB" or similar type flashing lights with single 12V maximum 21W bulb.

S.C.A.: "Open Gate Indicator" output. An indicator lamp can be connected (24V max. 4W). It can also be programmed for other functions; see paragraph "7.2.3 Level two functions"

BLUEBUS: compatible devices can be connected up to this terminal. They are connected in parallel using two wires only, through which both the electricity supply and the communication signals travel. For more useful information about BlueBUS see also Paragraph "7.3.1 BlueBUS".

STOP: input for the devices which block or eventually stop the manoeuvre in progress. Contacts like "Normally Closed", "Normally Open" or constant resistance devices can be connected up using

special procedures on the input. For more useful information about STOP see also Paragraph "7.3.2 STOP Input".

STEP-BY-STEP: input for devices which control Step-by-Step movement. It is possible to connect "Normally Open" devices up to this input.

OPEN: input for devices which control only the opening movement. It is possible to connect "Normally Open" devices up to this input.

CLOSE: input for devices which control only the closing movement. It is possible to connect "Normally Open" devices up to this input.

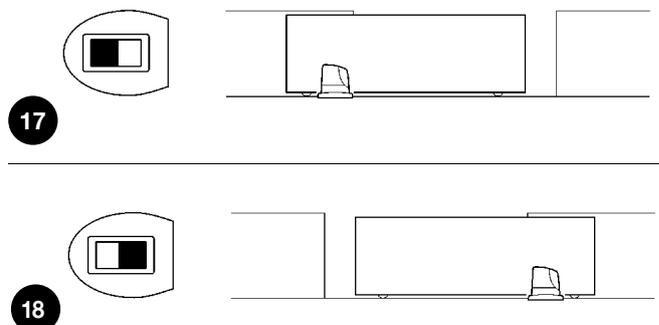
AERIAL: connection input for the radio receiver aerial (the aerial is incorporated in LUCY B).

4) Final checks and start up

The manufacturers recommend positioning the leaf at approximately mid-stroke before starting the checking and start up phase of the automation. This will ensure the leaf is free to move both during opening and closure.

4.1) Choosing the direction

The direction of the opening manoeuvre must be chosen according to the position of the gearmotor with respect to the leaf. If the leaf must move to the left for opening, the selector must be moved towards left as shown in Figure 17; alternatively, if the leaf has to move to the right during opening, the selector must be moved towards the right as shown in Figure 18.



4.2) Power supply connection

⚠ The connection of RUN to the mains must be made by qualified and experienced personnel in possession of the necessary requisites and in full observance of current laws, provisions and standards.

As soon as RUN is powered up, check the following:

1. Ensure that the "BLUEBUS" LED flashes regularly, with about one flash per second.
2. Ensure that the LED's on the photocells flash (both on TX and RX); the type of flashing is not important as it depends on other factors.

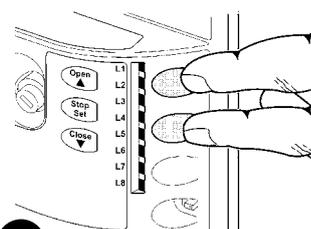
3. Ensure that the flashing light connected to the FLASH output and the lamp LED connected to the "Open Gate Indicator" output are off.

If the above conditions are not satisfied, immediately switch off the power supply to the control unit and check the electrical connections more carefully. Please refer to Chapter "7.6 Troubleshooting" for further information about fault-finding and analysis.

4.3) Device self-learning

After connecting up the power supply, the control unit must "learn" the devices connected up to the BLUEBUS and STOP inputs. Before this phase, LEDs L1 and L2 will flash to indicate that device self-learning must be carried out.

1. Press and hold keys **[▲]** and **[Set]**
2. Release the keys when leds L1 and L2 start flashing very quickly (after approx. 3 s)
3. Wait a few seconds for the control unit to finish self-learning the devices
4. When the self-learning stage is complete, the STOP LED must remain on while L1 and L2 must turn off (leds L3 and L4 will eventually start flashing).

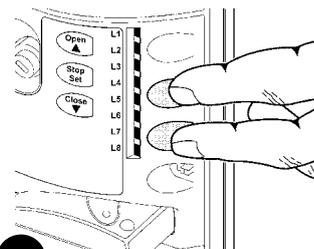


The connected devices self-learning stage can be repeated at any time, even after the installation (for example, if a new device is installed); to repeat self-learning see paragraph "7.3.6 Self-learning Other Devices".

4.4) Leaf length self-learning

After self-learning the devices, leds L3 and L4 start flashing; the control unit must self-learn the length of the gate. During this stage, the length of the leaf is measured from the closing limit switch to the opening limit switch. This measurement is required to calculate the deceleration points and the partial opening point.

1. Press and hold keys **[▼]** and **[Set]**
2. Release the keys when the manoeuvre starts (after approx. 3 s)
3. Check the manoeuvre in progress is an opening manoeuvre. Otherwise, press the **[Stop]** key and carefully check Paragraph "4.1 Choosing the Direction", then repeat the process from Point 1.
4. Wait for the control unit to open the gate until it reaches the opening limit switch; the closing manoeuvre will start immediately afterwards.
5. Wait for the control unit to close the gate.



20

If the above conditions are not satisfied, immediately switch off the power supply to the control unit and check the electrical connections more carefully. For more useful information see also chapter "7.6 Troubleshooting".

4.5) Checking gate movements

On completion of self-learning of the length of the leaf, a number of manoeuvres should be carried out to ensure correct gate travel

1. Press the **[Open]** key to open the gate. Check that gate opening occurs regularly, without any variations in speed. The leaf must only slow down and stop when it is between 70 and 50 cm from the opening mechanical stop. Then, at 2÷3 cm from the mechanical opening stop the limit switch will trigger.
2. Press the **[Close]** key to close the gate. Check that gate closing occurs regularly, without any variations in speed. The leaf must only slow down and stop when it is between 70 and 50 cm from the closing mechanical stop. Then, at 2÷3 cm from the mechanical closing stop the limit switch will trigger.
3. During the manoeuvre, check that the flashing light flashes at a speed of 0.5 seconds on and 0.5 seconds off. If present, also check the flashes of the light connected to the open gate indicator terminal: slow flashes during opening, quick flashes during closing.
4. Open and close the gate several times to make sure that there are no points of excessive friction and that there are no defects in the assembly or adjustments.
5. Check that the fixture of the RUN gearmotor, the rack and the limit switch brackets are solid, stable and suitably resistant, even if the gate accelerates or decelerates sharply.

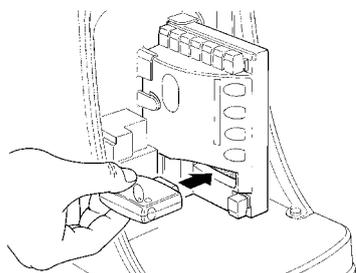
4.6) Preset functions

The RUN control unit has a number of programmable functions. These functions are set to a configuration which should satisfy most automations. However, the functions can be modified at any time by means of a special programming procedure.

Please refer to paragraph "7.2 Programming" for further information.

4.7) Radio receiver

An "SM" connector for SMXI or SMXIS type optional radio receivers is fitted on the control unit to enable remote control of RUN. Disconnect the power supply and follow the operations indicated in fig. 21 to install the radio receiver. The association between the SMXI and SMXIS radio receiver output and the command performed by RUN is described in table 6:



21

For further information, consult the radio receiver instruction manual.

Table 6: commands with transmitter

Output N°1	STEP-BY-STEP command
Output N°2	"Partial opening" command
Output N°3	"Open" command
Output N°4	"Close" command

5) Testing and commissioning

This is the most important stage in the automation system installation procedure in order to ensure maximum safety levels. Testing can also be adopted as a method of periodically checking that all the various devices in the system are functioning correctly.

▲ Testing of the entire system must be performed by qualified and experienced personnel who must establish which tests to conduct on the basis of the risks involved, and verify the compliance of the system with applicable regulations, legislation and standards, in particular with all the provisions of EN standard 12445 which establishes the test methods for automation systems for gates.

5.1) Testing

Each component of the system, e.g. safety edges, photocells, emergency stop, etc. requires a specific testing phase. We therefore recommend observing the procedures shown in the relative instruction manuals. To test RUN, proceed as follows:

1. Ensure that the instructions outlined in this manual and in particular in chapter 1 "WARNINGS" have been observed in full;
2. Release the gearmotor as shown in "Release and manual movement" paragraph in chapter "Instructions and Warnings for users of the RUN gearmotor"
3. Make sure you can move the door manually both during opening and closing with a force of max. 390N (40 kg approx.).
4. Lock the gearmotor.
5. Using the control or stop devices (key-operated selector switch, control buttons or radio transmitter) test the opening, closing and

stopping of the gate and make sure that the leaves move in the intended direction.

6. Ensure correct operation of all safety devices, one by one (photocells, sensitive edges, emergency stop, etc.) and check that the gate performs as it should. In particular, each time a device is activated the "BlueBUS" LED on the control unit flashes 2 times quickly, confirming that the control unit recognizes the event.
7. If the hazardous situations caused by the movement of the leaf have been safeguarded by limiting the force of impact, the impact force must be measured according to EN Standard 12445. If the adjustment of the "obstacle detection sensitivity" and control of the "motor torque" are used to assist the system for the reduction of the impact force, try to find the adjustment to obtain optimal results.

5.2) Commissioning

Commissioning can take place only after all the testing phases of the RUN and the other devices have been completed successfully. It is not permissible to execute partial commissioning or to enable use of the system in makeshift conditions.

1. Prepare and store for at least 10 years the technical documentation for the automation, which must include at least the following: assembly drawing of the automation, wiring diagram, analysis of hazards and solutions adopted, manufacturer's declaration of conformity of all the devices installed (for RUN use the annexed CE declaration of conformity); copy of the instruction manual and maintenance schedule of the automation.
2. Affix a dataplate on the gate providing at least the following data: type of automation, name and address of manufacturer (person responsible for the "commissioning"), serial number, year of manufacture and "CE" marking.

3. Post a permanent label or sign near the gate detailing the operations for the release and manual manoeuvre.
4. Prepare the declaration of conformity of the automation system and deliver it to the owner.
5. Prepare the "Instructions and warnings for the use of the automation system" and deliver it to the owner.
6. Prepare the maintenance schedule of the automation system and deliver it to the owner; this must provide all directions regarding the maintenance of the single automation devices.
7. Before commissioning the automation system inform the owner in writing regarding residual risks and hazards (e.g. in the "Instructions and warnings for the use of the automation system").

6) Maintenance and Disposal

This charter provides information about how to draw up a maintenance schedule, and the disposal of RUN.

6.1) Maintenance

The automation must undergo maintenance work on a regular basis, in order to guarantee prolonged lifetime; to this end RUN has a manoeuvre counter and maintenance warning system; see paragraph "7.4.4 Maintenance warning".

⚠ The maintenance operations must be performed in strict compliance with the safety directions provided in this manual and according to the applicable legislation and standards.

If other devices are present, follow the directions provided in the corresponding maintenance schedule.

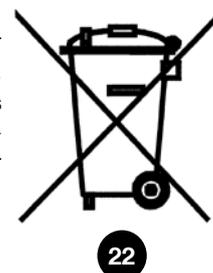
1. RUN requires scheduled maintenance work every 6 months or 20,000 manoeuvres (max.) after previous maintenance.
2. Disconnect all power supplies.
3. Check for any deterioration of the components which form the automation, paying particular attention to erosion or oxidation of the structural parts. Replace any parts which are below the required standard.
4. Check the wear and tear on the moving parts: pinion, rack and the leaf components; if necessary replace.
5. Connect the electric power sources up again, and carry out the testing and checks stated in Paragraph "5.1 Testing".

6.2) Disposal

As in the case of installation, at the end of the product lifetime, disposal procedures must be carried out by qualified personnel. This product comprises various types of materials, some of which can be recycled while others must be disposed of. Check information on the recycling and disposal procedures according to local legislation for this product category.

⚠ Some parts of the product may contain pollutant or hazardous substances; if disposed of into the environment these may constitute a serious risk of damage to the environment and public health.

As indicated by the symbol in figure 22 never dispose of this product in domestic waste. Apply classified waste collection procedures for disposal in accordance with local regulations or return the product to the retailer when purchasing a new model.



Local regulations may envisage serious fines in the event of illegal disposal of this product.

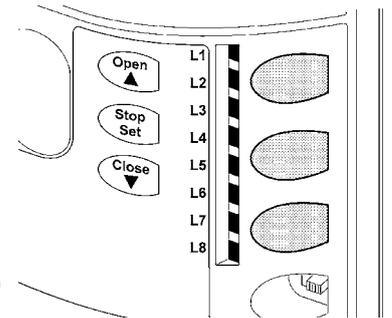
7) Additional information

Programming, personalisation and how to look for and deal with faults on the RUN will be dealt with in this chapter.

7.1) Programming keys

The RUN control unit features three keys that can be used to command the control unit both during tests and programming:

Open ▲	The "OPEN" key enables the user to control the opening of the gate or move the programming point upwards.
Stop Set	The "STOP" key enables the user to stop the manoeuvre. If pressed down for more than 5 seconds it enables the user to enter programming.
Close ▼	The "CLOSE" key enables the user to control the closing of the gate or move the programming point downwards.



7.2) Programming

A number of programmable functions are available on the RUN control unit. The functions are adjusted using 3 keys set on the control unit: [▲] [Set] [▼] and are used by means of 8 LEDs: L1...L8.

The programmable functions available on RUN are set out on 2 levels:

Level one: the functions can be adjusted in modes ON-OFF (active or inactive). In this case, each of the LEDs L1...L8 indicates a function. If the LED is on, the function is active, if off the function is inactive. See Table 7.

Level two: the parameters can be adjusted on a scale of values (from 1 to 8). In this case, each of the LEDs L1...L8 indicates the value set (there are 8 possible settings). Please refer to Table 9.

7.2.1) Level one functions (ON-OFF functions)

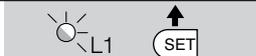
Table 7: programmable function list: level one:

Led	Function	Description
L1	Automatic Closing	This function causes the door to close automatically after the programmed time has lapsed. The factory set Pause Time is 30 seconds, but can be changed to 5, 15, 30, 45, 60, 80, 120 or 180 seconds. If the function is inactive, functioning will be "semi-automatic".
L2	Close After Photo	This function enables the gate to be kept open for the necessary transit time only. In fact the "Photo" always causes an automatic closure with a pause time of 5s (regardless of the programmed value). The action changes depending on whether the "Automatic closing" function is active or not. When "Automatic Closing" is inactive: The gate always arrives to the totally open position (even if the Photo disengages first). Automatic closing with a pause of 5s occurs when the Photo is disengaged. When "Automatic Closing" is active: The opening manoeuvre stops immediately after the photocells have disengaged. After 5 seconds, the gate will begin to close automatically. The "Close after photo" function is always disabled in manoeuvres interrupted by a Stop command. If the "Close after photo" function is inactive the pause time is that which has been programmed or there is no automatic closing if the function is inactive.
L3	Always Close	The "Always Close" function is activated, causing closure when an open gate is detected on return of power. A light will flash for 5 seconds before the manoeuvre starts, for safety purposes. If the function is inactive when the power supply returns, the gate will remain stationary.
L4	Deceleration	On activation of this function, a deceleration phase is activated at the end of the opening or closing manoeuvre. Deceleration speed corresponds to approx. 60% of the nominal speed. Caution: during deceleration the motor develops only half of the nominal torque; the deceleration phase is not possible on heavyweight gates or those requiring maximum torque. If deceleration is not active the speed remains constant throughout the manoeuvre.
L5	Peak	On activation of this function, gradual acceleration at the start of each manoeuvre is disabled; this enables the maximum peak force and is useful in situations with high levels of static friction, such as in the event of snow or ice blocking the leaf. If Peak is not active the manoeuvre starts with a gradual acceleration phase.
L6	Pre-flashing	With the pre-flashing function, a 3 second pause is added between the flashing light switching on and the beginning of the manoeuvre in order to warn the user in advance of a potentially dangerous situation. If pre-flashing is inactive, the flashing light will switch on when the manoeuvre starts.
L7	"Close" becomes "Partial Open"	By activating this function all "close" commands ("CLOSE" input or radio command "close") activate a partial opening manoeuvre (see LED L6 on table 9).
L8	"Slave" mode	By activating this function RUN becomes "Slave": in this way it is possible to synchronise the functioning of two motors on opposite leaves where one motor functions as Master and the other as Slave; for further information see paragraph "7.3.5 RUN in "Slave" mode".

During the normal functioning of the RUN, LEDs L1...L8 will either be on or off depending on the state of the function they represent. For example, L1 will be on if the "Automatic Closing" function is active.

7.2.2 Level one programming (ON-OFF functions)

Level 1 functions are all factory set to "OFF". However, they can be changed at any time as shown in Table 8. Follow the procedure carefully, as there is a maximum time of 10 seconds between pressing one key and another. If a longer period of time lapses, the procedure will finish automatically and memorize the modifications made up to that stage.

Table 8: changing ON-OFF functions		Example
1.	Press and hold key [Set] (approx. 3 s)	
2.	Release the [Set] key when L1 LED starts flashing	
3.	Press keys [▲] or [▼] to move the flashing LED onto the LED representing the function to be changed	
4.	Press the [Set] key to change the state of the function (short flashing = OFF; long flashing = ON)	
5.	Wait 10 seconds before leaving the programme to allow the maximum time to lapse.	

Note: Points 3 and 4 can be repeated during the same programming phases in order to set other functions to ON or OFF

7.2.3 Level two functions (adjustable parameters)

Table 9: programmable function list: level two				
Input LED	Parameter	Led (level)	Value	Description
L1	Pause Time	L1	5 Seconds	Adjusts the pause time, i.e. the time which lapses before automatic closure. This will only have an effect if automatic closing is active.
		L2	15 Seconds	
		L3	30 Seconds	
		L4	45 Seconds	
		L5	60 Seconds	
		L6	80 Seconds	
		L7	120 Seconds	
		L8	180 Seconds	
L2	Step-by-step Function	L1	Open - stop - close - stop	Manages the sequence of controls associated with the Step-by-Step input or to the 1st radio command.
		L2	Open - stop - close - open	
		L3	Open - close - open - close	
		L4	Apartment block	
		L5	Apartment block (more than 2" generates stop)	
		L6	Step-by-step 2 (less than 2" generates partial open)	
		L7	Dead man	
		L8	Opening in semi-automatic mode, closing in dead man mode	
L3	Obstacle detection sensitivity	L1	Very high sensitivity (lightweight gates)	Controls obstacle detection sensitivity. Take care that sensitivity is also influenced by the force of the motor (see L5); the motor force should always be adjusted beforehand, to enable correct settings of obstacle detection sensitivity.
		L2	Very high sensitivity	
		L3	High sensitivity	
		L4	Medium sensitivity	
		L5	Medium-low sensitivity	
		L6	Low sensitivity	
		L7	Very low sensitivity	
		L8	Very low sensitivity (heavyweight gates)	
L4	Open gate indicator output	L1	Gate Open Indicator function	Adjust the function associated with the open gate indicator output (regardless of the associated function, when active, it supplies a voltage of 24V -30 +50% with maximum power of 4W).
		L2	Active if leaf closed	
		L3	Active if leaf open	
		L4	Active with radio output 2	
		L5	Active with radio output 3	
		L6	Active with radio output 4	
		L7	Maintenance indicator	
		L8	Electric lock	
L5	Motor force control	L1	Set at 40%	After start-up of the motor, set the force to adapt it to the weight of the gate. The control system also measures the ambient temperature, increasing force automatically in the event of particularly low temperatures.
		L2	Set at 50%	
		L3	Set at 60%	
		L4	Set at 80%	
		L5	Set at 100%	
		L6	Semiautomatic 1=40÷100% (1)	
		L7	Semiautomatic 2=60÷100% (1)	
		L8	Automatic = 0÷100% (2)	

Input LED	Parameter	Led (level)	Value	Description
L6	Partial Open	L1	0,5 mt	The measurement of the partial opening. Partial opening can be controlled with the 2nd radio command or with "CLOSE", if the "Close" function is present, this becomes "Partial open".
		L2	1 mt	
		L3	1,5 mt	
		L4	2 mt	
		L5	2,5 mt	
		L6	3 mt	
		L7	3,4 mt	
		L8	4 mt	
L7	Maintenance warning	L1	Automatic (based on seriousness of manoeuvres)	Adjusts the number of manoeuvres after which it signals the maintenance request of the automation (see paragraph "7.4.4 Maintenance warning").
		L2	2.000	
		L3	4.000	
		L4	7.000	
		L5	10.000	
		L6	15.000	
		L7	20.000	
		L8	30.000	
L8	Fault list	L1	Manoeuvre 1 result (most recent)	The type of defect that has occurred in the last 8 manoeuvres can be established (see paragraph "7.6.1 Malfunctions archive").
		L2	Manoeuvre 2 result	
		L3	Manoeuvre 3 result	
		L4	Manoeuvre 4 result	
		L5	Manoeuvre 5 result	
		L6	Manoeuvre 6 result	
		L7	Manoeuvre 7 result	
		L8	Manoeuvre 8 result	

Note: "■" represents the factory setting

Note (1): Automatically regulates the force required, maintaining a minimum guaranteed force level.

Note (2): Automatically regulates the force required.

All parameters can be adjusted as required without any contraindications, only the "Obstacle detection sensitivity" and "Motor force control" may require special attention:

- Use of high force values are not recommended to compensate for the fact that the leaf has anomalous points of friction; excessive force may impair the safety system and damage the leaf.
- If the "Obstacle detection sensitivity" is used in support of the system for impact force reduction, after each adjustment the force measurement procedure must be performed, as envisaged by standard EN 12445.
- Wear and atmospheric conditions that influence movement of the gate; force settings should be checked periodically.

7.2.4) Level two programming (adjustable parameters)

The adjustable parameters are factory set as shown in the table 9, with: "■" However, they can be changed at any time as shown in Table 10. Follow the procedure carefully, as there is a maximum time of 10 seconds between pressing one key and another. If a longer period of time lapses, the procedure will finish automatically and memorize the modifications made up to that stage.

Tabella 10: changing the adjustable parameters		Example
1.	Press and hold key [Set] (approx. 3 s)	 3s
2.	Release the [Set] key when L1 LED starts flashing	 L1 
3.	Press key [▲] or [▼] to move the flashing LED onto the input LED representing the parameter to be changed	 or  
4.	Press the key [Set] and hold it down during step 5 and 6	
5.	Wait approx. 3 seconds, after which the LED representing the current level of the parameter to be modified will light up.	
6.	Press key [▲] or [▼] to move the LED representing the parameter value.	 or  
7.	Release the key [Set]	
8.	Wait 10 seconds before leaving the programme to allow the maximum time to lapse.	 10s

Note: Points 3 to 7 can be repeated during the same programming phase in order to set other parameters

7.2.5) Level one programming example (ON-OFF functions)

The sequence to follow in order to change the factory settings of the functions for activating “Automatic Closing” (L1) and “Always close” (L3) have been included as examples.).

Table 11: Level one programming	Example
1. Press and hold [Set] (approx. 3 s)	 3s
2. Release the [Set] key when L1 LED starts flashing	 L1 
3. Press [Set] once to change the state of the function associated with L1 (Automatic Closing). LED L1 will now flash with long flashes.	  L1
4. Press [▼] twice to move the flashing LED to LED L3	  L3
5. Press the [Set] key once to change the state of the function associated with L3 (Always Close). LED L3 will now flash with long flashes.	  L3
6. Wait 10 seconds before leaving the programme to allow the maximum time to lapse.	 10s

Once these operations have been completed, LEDs L1 and L3 must remain on to indicate that the “Automatic Closing” and the “Always Close” functions are active.

7.2.6) Level two programming example (adjustable parameters)

The example shows the sequence to follow to change the factory settings of parameters and increase the “Pause Time” to 60 seconds (input on L1 and level on L5) and reduce the “Motor Torque” of 60% (input on L5 and level on L3).

Table 12: Level two programming	Example
1. Press and hold [Set] (approx. 3 s)	 3s
2. Release [Set] when L1 LED starts flashing	 L1 
3. Press and hold [Set] during steps 4 and 5	
4. Wait approx. 3 seconds until LED L3, representing the current level of the “Pause Time” will light up	 L3 3s
5. Press [▼] twice to move the LED which is lit to LED L5, which represents the new “Pause Time” value	 L5
6. Release [Set]	
7. Press [▼] four times to move the flashing LED to LED L5	 L5
8. Press and hold [Set] during steps 9 and 10	
9. Wait approx. 3 seconds until LED L5, representing the current level of the “Motor Torque” will light up	3s  L5
10. Press [▲] twice to move the LED which is lit to LED L3, which represents the new “Motor Torque” value	 L3
11. Release [Set]	
12. Wait 10 seconds before leaving the programme to allow the maximum time to lapse.	 10s

7.3) Adding or removing devices

Devices can be added to or removed from the RUN automation system at any time. In particular, various devices types can be connected to “BlueBUS” and “STOP” input as explained in the following paragraphs.

After adding or removing any devices, the automation system must go through the self-learning process again according to the directions contained in paragraph 7.3.6 “Device self-learning”.

7.3.1) BlueBUS

BlueBUS technology enables the connection of compatible devices using only two wires which carry both the power supply and the communication signals. All the devices are connected in parallel on the 2 wires of the BlueBUS itself. It is not necessary to observe any polarity; each device is individually recognized because a univocal address is assigned to it during installation. Photocells, safety devices, control keys, signalling lights etc. can be connected to BlueBUS.

The RUN control unit recognizes all the connected devices individually through a suitable self-learning process, and can detect all the possible abnormalities with absolute precision. For this reason, each time a device connected to BlueBUS is added or removed, the control unit must go through the self-learning process; see paragraph 7.3.6 “Self-learning Other Devices”.

7.3.2) STOP input

STOP is the input that causes the immediate interruption of the manoeuvre (with a short reverse run). Devices with output featuring normally open “NO” contacts and devices with normally closed “NC” contacts, as well as devices with 8,2kΩ constant resistance output, such as sensitive edges, can be connected to this input.

During the self-learning stage the control unit, as in the case of BlueBUS, recognizes the type of device connected to the STOP input (see paragraph 7.3.6 “Self-learning Other Devices”); subsequently it commands a STOP whenever a change occurs in the recognized status.

Multiple devices, even of different type, can be connected to the STOP input if suitable arrangements are made:

- Any number of NO devices can be connected to each other in parallel.
- Any number of NC devices can be connected to each other in series.

- Two devices with 8.2KΩ constant resistance output can be connected in parallel; if necessary, multiple devices must be connected “in cascade” with a single 8.2KΩ termination resistance.
- It is possible to combine Normally Open and Normally Closed by making 2 contacts in parallel with the warning to place an 8.2KΩ resistance in series with the Normally Closed contact (this also makes it possible to combine 3 devices: Normally Open, Normally Closed and 8,2kΩ).

⚠ If the STOP input is used to connect devices with safety functions, only the devices with 8,2kΩ constant resistance output guarantee the fail-safe category 3 according to EN standard 954-1.

7.3.3) Photocells

By means of addressing using special jumpers, the “BlueBUS” system enables the user to make the control unit recognise the photocells and assign them with a correct detection function. The addressing procedure must be performed both on TX and RX (setting the jumpers in the same way) making sure there are no other pairs of photocells with the same address.

In an automation for sliding gates, RUN enables installation of the photocells as shown in Figure 24.

Each time a photocell is added or removed the control unit must go through the self-learning process; see paragraph 7.3.6 “Self-learning Other Devices”.

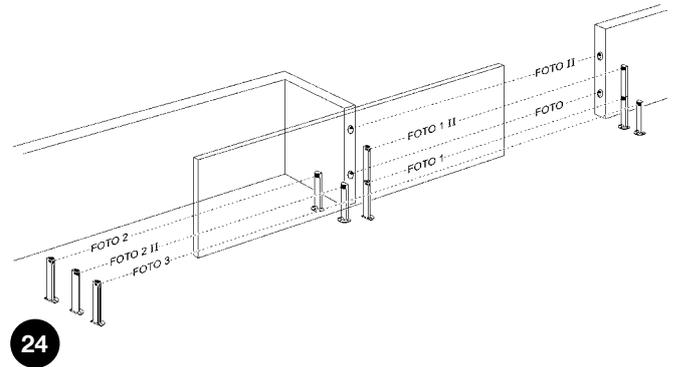


Table 13: Photocell addressing

Photocell	Jumpers	Photocell	Jumpers
PHOTOCELL External photocell h=50 cm activated when gate closes		PHOTOCELL 2 External photocell activated when gate opens	
PHOTOCELL II External photocell h=100 cm activated when gate closes		PHOTOCELL 2 II Internal photocell activated when gate opens	
PHOTOCELL 1 Internal photocell h = 50 cm activated when gate closes		PHOTOCELL 3 Single photocell for entire automation system	
PHOTOCELL 1 II Internal photocell h=100 cm activated when gate closes		<p>⚠ In the case of the installation of PHOTO 3 and PHOTO II together, the position of the photocell elements (TX-RX) must comply with the provisions contained in the photocell instruction manual</p>	

7.3.4) FT210B Photo-sensor

The FT210B photo-sensor combines a force limiting device (type C in accordance with the standard EN1245) and a presence detector which detects the presence of obstacles on an optical axis between the TX transmitter and the RX receiver (type D in accordance with the standard EN12453). The sensitive edge status signals on the FT210 photo-sensor are transmitted by means of the photocell beam, integrating the two systems in a single device. The transmitting part is positioned on the mobile leaf and is powered by a battery thereby eliminating unsightly connection systems; the consumption of the battery is reduced by special circuits guaranteeing a duration of up to 15 years (see the estimation details in the product instructions).

By combining a FT210B device with a sensitive edge (TCB65 for example) the level of security of the “primary edge”, required by the EN12453 standard for all “types of use” and “types of activation”, can be attained.

The FT210B is safe against individual faults when combined to a “resistive” type (8,2Kohm) sensitive edge. It features a special anti-collision circuit that prevents interference with other detectors, even if not synchronised, and allows additional photocells to be fitted; for example, in cases where there is a passage of heavy vehicles and a second photocell is normally placed at 1 m from the ground.

See the FT210B instruction manual for further information concerning connection and addressing methods.

7.3.5) RUN in "Slave" mode

When correctly programmed and connected, RUN can function in "Slave" mode; this type of function is used when 2 opposite gates need to be automated with the synchronised movement of the two leaves. In this mode RUN works as Master commanding the movement, while the second RUN acts as Slave, following the commands transmitted by the Master (all RUN are Masters when leaving the factory).

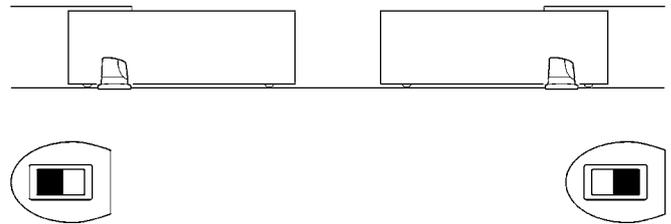
To configure RUN as a Slave level one "Slave mode" must be activated (see table 7).

The connection between RUN Master and RUN Slave is made via BlueBus.

⚠ In this case the polarity of the connections between the two RUN must be observed as illustrated in fig. 26 (the other devices remain with no polarity).

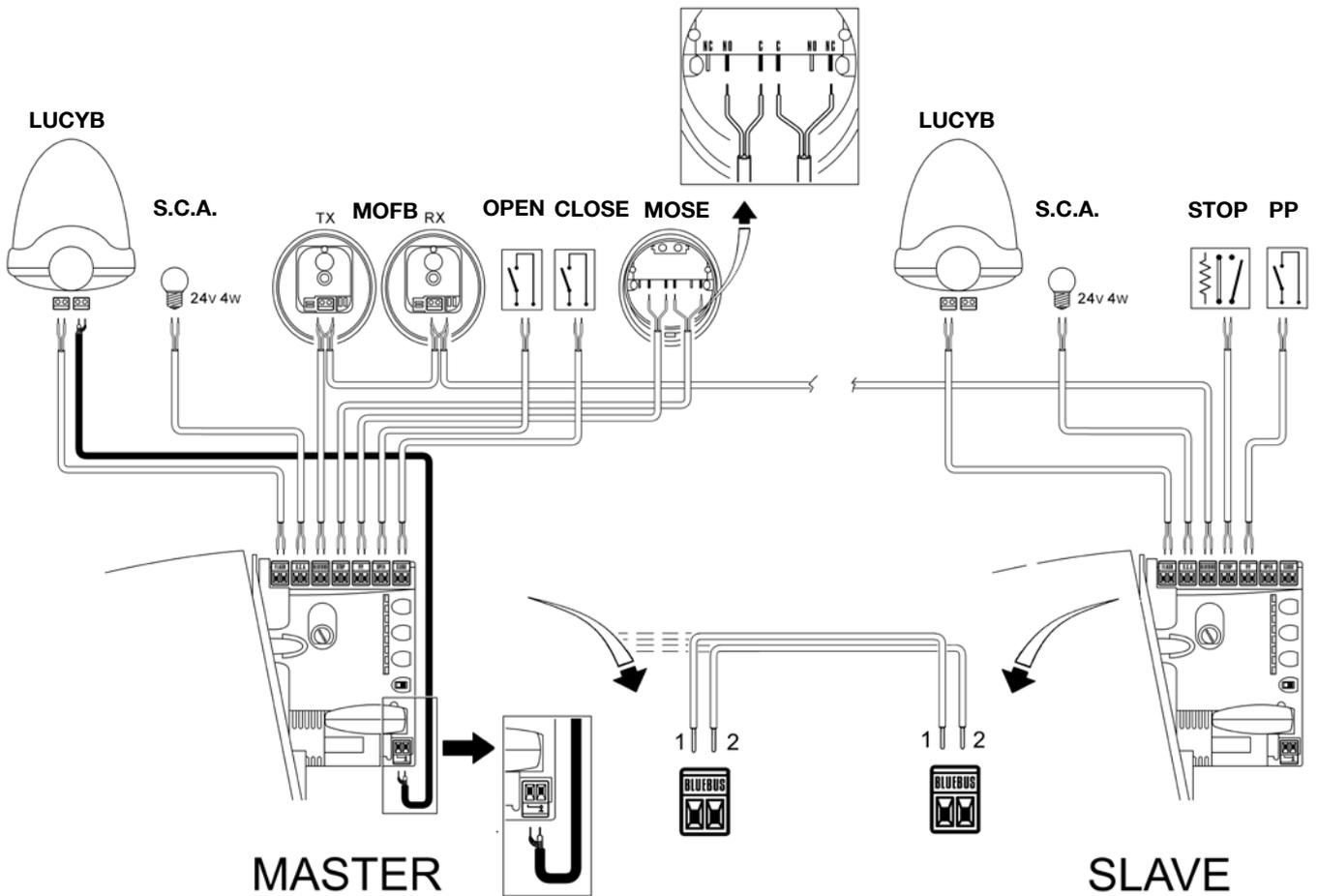
Follow the operations below to install 2 RUN in the Master and Slave mode:

- Install the 2 motors as indicated in fig. 25. It is not important which motor is to function as Slave or Master; when choosing, one must consider the convenience of the connections and the fact that the Step-by-Step command of the Slave only allows the Slave leaf to be opened fully.



25

- Connect the 2 motors as shown in fig. 26.
- Select the opening direction of the 2 motors as shown in fig. 25 (see also paragraph "4.1 Choosing the direction").
- Supply power to the 2 motors.
- Program the "Slave mode" on the RUN Slave (see table 7).
- Perform the device self-learning on the RUN Slave (see paragraph "4.3 Self-learning devices").
- Perform the device self-learning on the RUN Master (see paragraph "4.3 Self-learning devices").
- Perform the self-learning of the leaf length on the RUN Master (see paragraph "4.4 Leaf length self-learning").



26

When connecting 2 RUN in the Master-Slave mode, strictly observe the following:

- All devices must be connected to the RUN Master (as in fig. 26) including the radio receiver.
- All programming performed on RUN Slave is ignored (that on RUN Master overrides the others) except for those mentioned in table 14.

Table 14: RUN Slave programming independently from RUN Master

Level one functions (ON-OFF functions)	Level two functions (adjustable parameters)
Stand-By	Obstacle detection sensitivity
Peak	Open Gate Indicator output
Slave Mode	Motor torque control
	Fault list

On Slave it is possible to connect:

- A flashing light (Flash)
- An open gate indicator (S.C.A.)
- A sensitive edge (Stop)
- A command device (Step by Step) that controls the complete opening of the Slave leaf only.
- The Open and Close inputs are not used on the Slave

7.3.6) Self-learning Other Devices

Normally the self-learning of the devices connected to the BlueBUS and the STOP input takes place during the installation stage. However, if new devices are added or old ones removed, the self-learning process can be repeated by proceeding as shown in Figure 15.

Table 15: Self-learning Other Devices

	Example
1. Press and hold keys [▲] and [Set]	
2. Release the keys when leds L1 and L2 start flashing very quickly (after approx. 3 s)	
3. Wait a few seconds for the control unit to finish self-learning the devices	
4. When the self-learning stage is complete, leds L1 and L2 will turn off, the STOP LED must remain on, while leds L1...L8 will light up according to the status of the relative ON-OFF functions.	

▲ After adding or removing any devices, the automation system must be tested again according to the instructions in paragraph 5.1 “Testing”.

7.4) Special functions

7.4.1) “Always open” Function

The “Always open” function is a control unit feature which enables the user to control an opening manoeuvre when the “Step-by-Step” command lasts longer than 2 seconds. For example, this is useful for connecting a timer contact to the “Step-by-Step” terminal in order to keep

the gate open for a certain length of time. This feature is valid with any kind of “Step-by-Step” input programming, except for “Apartment block 2”. Refer to the “Step-by-Step Function” parameter in Table 9.

7.4.2) “Move anyway” function

In the event that one of the safety devices is not functioning properly or is out of use, it is still possible to command and move the gate in “Dead man” mode.

Please refer to the Paragraph “Control with safety devices out of order” in the enclosure “Instructions and Warnings for users of the RUN gearmotor” for further information.

7.4.3) Heating and cooling control system

RUN is equipped with a sophisticated system for the control of the motor temperature. The internal value of RUN is read by a special sensor and used for the management of the conditioning system, to enable heating of the motor when external temperatures fall below a

threshold of around 0°C (if the “heating” function is enabled via the remote programming unit “OperaView”); or enable accelerated cooling of the motor when temperatures exceed a value of around 40°C.

7.4.4) Maintenance warning

With RUN the user is notified when the automation requires a maintenance inspection. The number of manoeuvres after the warning can be selected from 8 levels, by means of the “Maintenance warning” adjustable parameter (see table 9). Adjustment level 1 is “automatic” and takes into consideration the severity of the manoeuvre, this being the force and duration of the manoeuvre, while the other adjustments are established according to the number of manoeuvres.

The maintenance request warning is by means of the Flashing light or on the Open Gate indicator output when this is programmed as a “Maintenance Indicator” (see table 9).

The flashing light “Flash” and the maintenance light give the signals indicated in table 16, based on the number of manoeuvres performed according to the limits programmed.

Table 16: maintenance warning with Flash and maintenance light

Number of manoeuvres	Flash signal	Maintenance indicator signal
Below 80% of limit	Normal (0.5s on, 0.5s off)	Lit for 2s at start of opening
Between 81 and 100% of limit	At start of manoeuvre remains lit for 2s then proceeds as normal	Flashes throughout manoeuvre
Over 100% of limit	At start and end of manoeuvre remains lit for 2s then proceeds as normal	Flashes continuously

Check of number of manoeuvres performed

The number of manoeuvres performed as a percentage of the set limit can be verified by means of the "Maintenance warning" function. Follow the indications in table 17 for this check.

Table 17: check of the number of manoeuvres performed		Example
1.	Press and hold [Set] (approx. 3 s)	 3s
2.	Release [Set] when led L1 starts flashing	
3.	Press key [▲] or [▼] to move the flashing LED onto the input LED L7 representing the "Maintenance warning" parameter	
4.	Press and hold [Set] during steps 5, 6 and 7	
5.	Wait approx. 3 seconds, after which the LED representing the current level of the parameter "Maintenance warning" will light up.	
6.	Press and immediately release the [▲] and [▼] keys.	
7.	The LED that corresponds to the selected level flashes. The number of flashes indicates the percentage of manoeuvres performed (in multiples of 10%) in relation to the set limit. For example: with the maintenance warning set on L6 being 10000, 10% is equal to 1000 manoeuvres; if the LED flashes 4 times, this means that 40% of the manoeuvres have been reached (between 4000 and 4999 manoeuvres). The LED will not flash if 10% of the manoeuvres has not yet been reached.	
8.	Release the key [Set]	

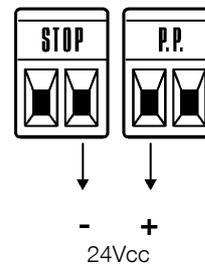
Manoeuvre counter reset

After the maintenance of the system has been performed the manoeuvre counter must be reset. Proceed as described in table 18.

Table 18: manoeuvre counter reset		Example
1.	Press and hold [Set] (approx. 3 s)	 3s
2.	Release [Set] when led L1 starts flashing	
3.	Press key [▲] or [▼] to move the flashing LED onto the input LED L7 representing the "Maintenance warning" parameter	
4.	Press and hold [Set] during steps 5 and 6	
5.	Wait approx. 3 seconds, after which the LED representing the current level of the parameter "Maintenance warning" will light up.	
6.	Press and hold keys [▲] and [▼] , for at least 5 seconds and then release. The LED that corresponds to the selected level flashes rapidly indicating that the manoeuvre counter has been reset.	
7.	Release the key [Set] .	

7.5) Connection of Other Devices

If the user needs to feed external devices such as a proximity reader for transponder cards or the illumination light of the key-operated selector switch, it is possible to tap power as shown in Figure 27. The power supply voltage is 24Vdc -30% - +50% with a maximum available current of 100mA.



7.6) Troubleshooting

Table 19 contains instructions to help solving malfunctions or errors that may occur during the installation stage or in case of failure.

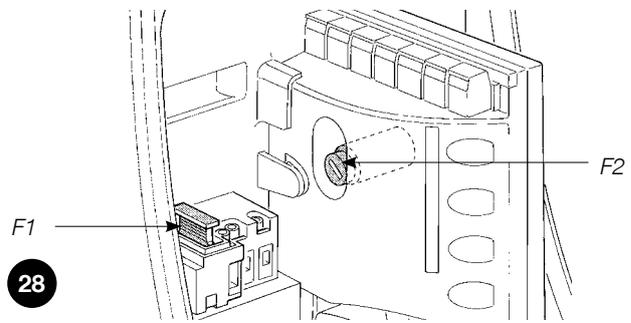


Table 19: Troubleshooting

Symptoms	Recommended checks
The radio transmitter does not control the gate and the LED on the transmitter does not light up.	Check to see if the transmitter batteries are discharged, if necessary replace them
The radio transmitter does not control the gate but the LED on the transmitter lights up	Check to see if the transmitter has been memorised correctly in the radio receiver
No manoeuvre starts and the “BlueBUS” LED does not flash	Check that RUN is powered by a 230V mains supply. Check to see if the fuses are blown; if necessary, locate the reason for the failure and then replace the fuses with others of the same current rating and characteristics.
No manoeuvre starts and the flashing light is off	Make sure that the command is actually received. If the command reaches the STEP-BY-STEP input, the corresponding “STEP-BY-STEP” LED must light up; if you are using the radio transmitter, the “BlueBus” LED must make two quick flashes.
No manoeuvre starts and the flashing light flashes a few times	Count the flashes and check the corresponding value in table 21
The manoeuvre starts but it is immediately followed by a reverse run	The selected level of obstacle detection sensitivity could be too high for the type of gate. Check to see whether there are any obstacles; if necessary select a lower level of sensitivity.
The manoeuvre is carried out but the flashing light does not work	Make sure that there is voltage on the flashing light’s FLASH terminal during the manoeuvre (being intermittent, the voltage value is not important: approximately 10-30Vdc); if there is voltage, the problem is due to the lamp; in this case replace the lamp with one of the same characteristics; if there is no voltage, there may have been an overload on the FLASH output. Check that the cable has not short-circuited.
The manoeuvre is carried out but the Open Gate Indicator does not work	Check the type of function programmed for the Gate Open indicator output (L4 on table 9). When the indicator should be lit, check that there is voltage on the Open Gate Indicator terminal (approx. 24 Vdc); if voltage is present the problem is caused by the light, which will have to be replaced with one with the same characteristics. If there is no voltage, there may have been an overload on the open gate indicator output. Check that the cable has not short-circuited.

7.6.1) Malfunctions archive

RUN enables the user to view the possible malfunctions that have occurred in the last 8 manoeuvres; for example, the interruption of a manoeuvre due to a photocell or sensitive edge cutting in. To verify the malfunctions list, proceed as in table 20.

Table 20: malfunctions archive

	Example
1. Press and hold [Set] (approx. 3 s)	3s
2. Release [Set] when led L1 starts flashing	L1 SET
3. Press key [▲] or [▼] to move the flashing LED onto the input LED L8 representing the “malfunctions list” parameter	L8
4. Press and hold [Set] during steps 5 and 6	SET
5. Wait for about 3s after which the LEDs corresponding to the manoeuvres in which the defect occurred will light. The L1 LED indicates the result of the last manoeuvre and L8 indicates the result of the 8th manoeuvre. If the LED is on, this means that a defect occurred during that manoeuvre; if the LED is off, this means that no defect occurred during that manoeuvre.	3s
6. Press keys [▲] and [▼] to select the required manoeuvre: The corresponding LED flashes the same number of times as those made by the flashing light after a defect (see table 21).	L8
7. Release the key [Set] .	SET

7.7) Diagnostics and signals

A few devices issue special signals that enable identification of operating status or possible malfunctions.

7.7.1) Flashing light signalling

During the manoeuvre the flashing light FLASH flashes once every second. When something is wrong the flashes are more frequent; the light flashes twice with a pause of a second between flashes.

Table 21: FLASH flashing light signalling		
Quick flashes	Cause	ACTION
1 flash 1 second pause 1 flash	Error on BlueBUS	At the start of the manoeuvre, the devices connected to BLUEBUS do not correspond to those recognized during the self-learning phase. One or more devices may be faulty; check and, if necessary, replace them; in case of modifications repeat the self-learning process (7.3.4 Self-learning Other Devices).
2 flashes 1 second pause 2 flashes	Activation of a photocell	At the start of the manoeuvre, one or more photocells do not enable it; check to see if there are any obstacles. This is normal when there is an obstacle impeding the movement.
3 flashes 1 second pause 3 flashes	Activation of "obstacle detection"	During the movement, the gate experienced excessive friction; identify the cause.
4 flashes 1 second pause 4 flashes	Activation of STOP input	At the start of the manoeuvre or during the movement, the STOP input was activated; identify the cause
5 flashes 1 second pause 5 flashes	Error in parameters in electronic control unit	Wait at least 30 seconds, then try giving a command. if the condition persists it means there is a malfunction and the electronic board has to be replaced
6 flashes 1 second pause 6 flashes	Maximum limit of manoeuvres per hour exceeded	Wait for a few minutes until the manoeuvre limiting device falls to below the maximum limit
7 flashes 1 second pause 7 flashes	Error in internal electrical circuits	Disconnect all the power circuits for a few seconds and then try to give the command again. if the condition persists it means there is a serious malfunction and the electronic board has to be replaced
8 flashes 1 second pause 8 flashes	A command is already present that disables execution of other commands	Check the type of command that is always present; for example, it could be a command from a timer on the "open" input.

7.7.2) Signals on the control unit

On the RUN control unit there is a set of LED's each of which can give special indications both during normal operation and in case of malfunctions.

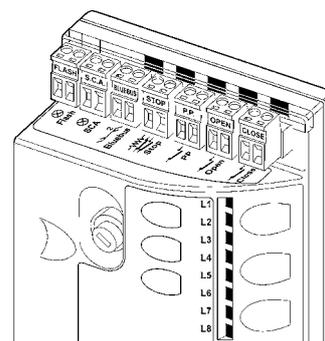


Table 22: LED's on the control unit's terminals		
BLUEBUS LED	Cause	ACTION
Off	Fault	Make sure there is power supply; check to see if the fuses are blown; if necessary, identify the reason for the failure and then replace the fuses with others of the same characteristics
On	Serious fault	There is a serious malfunction; try switching off the control unit for a few seconds; if the condition persists it means there is a malfunction and the electronic board has to be replaced
One flash every second	All OK	Normal operation of control unit
2 quick flashes	Input status variation occurred	This is normal when there is a change in one of the inputs: STEP-BY-STEP, STOP, OPEN, CLOSE, triggering of photocells or the radio transmitter is used
Series of flashes separated by a one second pause	Various	Same signal as on flashing light. See table 21
STOP led	Cause	ACTION
Off	Activation of STOP input	Check the devices connected to the STOP input
On	All OK	STOP input active
S.S. Led	Cause	ACTION
Off	All OK	S.S. input not active
On	Activation of S.S. input	Normal if the device connected to the S.S. input is effectively active
OPEN Led	Cause	ACTION
Off	All OK	OPEN input not active
On	Activation of OPEN input	Normal if the device connected to the OPEN input is effectively active
CLOSE Led	Cause	ACTION
Off	All OK	Close input not active
On	Activation of CLOSE input	Normal if the device connected to the CLOSE input is effectively active

Table 23: leds on control unit keys

Led 1	Description
Off	During normal operation indicates "Automatic closing" not active
On	During normal operation indicates "Automatic closing" active
Flashing	<ul style="list-style-type: none"> Function programming in progress If Flashing with L2 indicates need for device self-learning phase (see paragraph "4.3 Device self-learning").
Led L2	Description
Off	During normal operation indicates "Reclose after Photo" not active
On	During normal operation indicates "Reclose after Photo" active
Flashing	<ul style="list-style-type: none"> Function programming in progress. If flashing with L1, indicates need for device self-learning phase (see paragraph "4.3 Device self-learning")
Led L3	Description
Off	During normal operation indicates "Always close" not active.
On	During normal operation indicates "Always close" active.
Flashing	<ul style="list-style-type: none"> Function programming in progress. If flashing with L4 indicates need for device self-learning phase (see paragraph "4.3 Device self-learning")
Led L4	Description
Off	During normal operation the device indicates "Stand-by" not active.
On	During normal operation the device indicates "Stand-by" active.
Flashing	<ul style="list-style-type: none"> Function programming in progress. If flashing with L3 indicates need for leaf length self-learning phase (refer to Paragraph "4.4 Leaf length Self-learning").
Led L5	Description
Off	During normal operation indicates "Thrust" not active.
On	During normal operation indicates "Thrust" active.
Lampeggia	Function programming in progress.
Led L6	Description
Off	During normal operation indicates "Pre-flash" not active.
On	During normal operation indicates "Pre-flash" active.
Flashing	Function programming in progress
Led L7	Description
Off	During normal operation indicates that the CLOSE input activates a close manoeuvre
On	During normal operation indicates that the CLOSE input activates a partial opening manoeuvre.
Flashing	Function programming in progress
Led L8	Description
Off	During normal operation indicates that RUN is configured as Master
On	During normal operation indicates that RUN is configured as Slave
Flashing	Function programming in progress

7.8) Accessories

The following optional accessories are available for RUN:

- SMXI or SMXIS: Radio receiver at 433.92MHz with digital Rolling Code encoding.
- ONEXI: Radio receiver at 433.92MHz with digital Rolling Code encoding; equipped with Modo III to send 15 types of command to control unit

- OperaView; Remote programming unit.

Consult the Nice S.p.a. product catalogue for the complete and updated list of accessories.

7.8.1) Remote programming unit

More specifically, connector BusT4 (see figure 30) enables connection of the remote programming unit Oview which enables complete and rapid management of installation, maintenance and troubleshooting of any malfunctions.

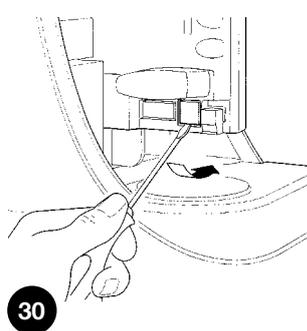
To access the connector, remove the membrane as shown in figure 31. The remote programming unit can be placed at a distance from the control unit, with up to 100m of cable; it can be connected simultaneously to up to 16 and can remain connected during normal operation of RUN; in this case a specific "user" menu enables delivery of commands to the control unit.

If a OXI (o OXIT) type radio receiver is inserted in the control unit, the remote programming unit enables access to the parameters of the memorised transmitters.

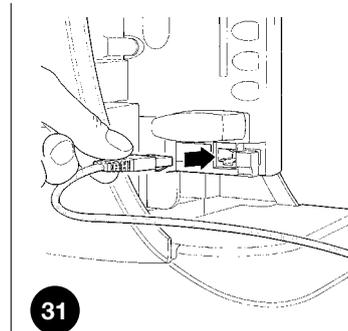
These functions require a 4-core connection cable (BusT4).

The RUN control unit firmware can also be updated. Further information is available in the Oview programmer instruction manual.

IMPORTANT – For further details on all functions of the NiceOpera system and interdependency of the various devices in the system, refer to the general manual "NiceOpera System Book", also available on the Internet site www.niceforyou.com.



30



31

8) Technical characteristics

With the aim of improving products, Nice S.p.a reserves the right to modify technical characteristics at any time without notice, while maintaining the same functionalities and intended use.

All technical characteristics stated refer to an ambient temperature of 20°C (±5°C).

RUN Technical characteristics		
Model type	RUN 1800 - RUN 1800P - RUN 1800/V1	RUN 2500 - RUN 2500P
Type	Electromechanical gearmotor for automatic movement of sliding gates for industrial use complete with electronic control unit.	
Pinion	Number of teeth 18; Module 4 *	
Maximum torque on start-up [corresponds to ability of generating the force required to move the leaf]	40Nm (1110N)	50Nm (1390N)
Nominal torque [corresponds to the ability of generating the force to maintain the leaf in movement]	20Nm (560N)	30Nm (830N)
Speed (no-load)	10m/min (12m/min version /V1)	
Speed (at nominal torque)	8,5m/min (8.9m/min version /V1)	
Maximum frequency of operating cycles (at nominal torque)	11 cycles/hour (264 cycles/day), for a gate of 15m (equal to a cycle of 63%), (the control unit limits cycles to the maximum number specified in tables 2 and 3)**	15 cycles/hour (365 cycles/day), for a gate of 15m (equal to a cycle of 63%), (the control unit limits cycles to the maximum number specified in tables 2 and 3)**
Maximum time of continuous operation (at nominal torque)	40 minutes (the control unit limits continuous operation to the maximum limits as specified in tables 2 and 3)***	60 minutes (the control unit limits continuous operation to the maximum limits as specified in tables 2 and 3)***
Operating limits	In general RUN is designed for the automation of gates with the weights and lengths as specified in tables 2, 3 and 4	
Durability	Estimated between 150.000 cycles and 450.000 cycles according to conditions specified in table 4	
Power supply RUN 1800 - 2500	230Vac (+10% -15%) 50 Hz	
Power supply RUN 1800/V1-2500/V1	120Vac (+10% -15%) 60 Hz	
Maximum power absorption on start-up [corresponding to Amps]	700 W [3 A] [5 A version /V1]	870 W [3.8 A]
Power at nominal torque [corresponding to Amps]	400 W [1.8 A] [3 A version /V1]	600 W [2.7 A]
Insulation class	1 (safety earthing required)	
Flashing light output	For 2 Flashing lights LUCYB (lamp 12V, 21W)	
Gate open indicator output	For 1 24V lamp of maximum 4W (output voltage may vary between -30 and +50% and can also control small relays)	
BLUEBUS output	One output with maximum load of 15 BlueBus units	
STOP input	For normally closed contacts , normally open contacts or with constant 8,2kΩ. resistance; in self-learning (a variation with respect to memorised value generates the STOP command)	
Step-by-step input	For normally open contacts (contact closure generates S.S. command)	
OPEN input	For normally open contacts (contact closure generates OPEN command)	
CLOSE input	For normally open contacts (contact closure generates CLOSE command)	
Radio connector	SM connector for receivers SMXI; SMXIS or ONEXI	
Radio ANTENNA input	Input ANTENNA Radio 52Ω for cable type RG58 or similar	
Programmable functions	8 ON-OFF type functions and 8 settable functions (see tables 7 and 9)	
Functions in self-learning mode	Self-learning of devices connected to BlueBus output. Self-learning of "STOP" device type (contact NO, NC or 8,2kΩ resistance) Self-learning of gate length and calculation of deceleration and partial opening points.	
Operating temperature	-20°C ÷ 50°C	
Use in particularly acidic, saline or potentially explosive atmospheres	No	
Protection rating	IP 44	
Dimensions and weight	400 x 255 h 390; 24.5 kg	

* Optional 12-tooth 6 module pinion available

** At 50°C and with a gate of 15 metres, the maximum operating frequency is 7 cycles/hour (equal to a cycle of 40%).

*** At 50°C the maximum continuous operation time is 10 minutes.

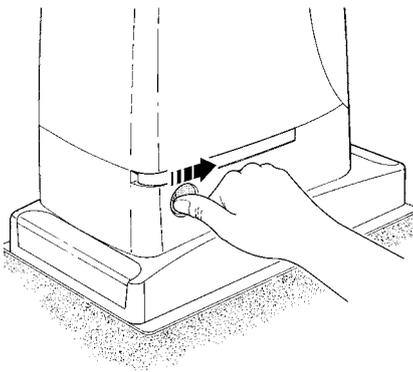
- **Before using your automation system for the first time**, ask the installer to explain the origin of residual risks; take a few minutes and read the users **instructions manual given you by the installer**. Retain the manual for future use and deliver it to any subsequent owner of the automation system.
- **Your automation system is a machine that will faithfully execute your commands**; unreasonable or improper use may generate dangers: do not operate the system if there are people, animals or objects within its range of operation.
- **Children**: automation systems are designed to guarantee high levels of safety and security. They are equipped with detection devices that prevent movement if people or objects are in the way, guaranteeing safe and reliable activation. However, children should not be allowed to play in the vicinity of automated systems; to prevent any accidental activations, keep all remote controls away from children: **they are not toys!**
- **Malfunctions**: If you notice that your automation is not functioning properly, disconnect the power supply to the system and operate the manual release device. Do not attempt to make any repairs; call the installation technician and in the meantime, operate the system like a non-automatic door after releasing the gearmotor as described below.
- **Maintenance**: Like any machine, your automation needs regular periodic maintenance to ensure its long life and total safety. Arrange a periodic maintenance schedule with your installation technician. Nice recommends that maintenance checks be carried out every six months for normal domestic use, but this interval may vary depending on the intensity of use. Only qualified personnel are authorised to carry out checks, maintenance operations and repairs.
- Do not modify the system or its programming and adjustment parameters in any way, even if you feel capable of doing it: your installation technician is responsible for the system.
- The final test, the periodic maintenance operations and any repairs must be documented by the person who has performed them; these documents must remain under the custody of the owner of the system.

The only recommended maintenance operations that the user can perform periodically concern the cleaning of the photocell glasses and the removal of **leaves and debris that may impede the automation**. To prevent anyone from activating the gate release the automation system (as described below). Use a slightly damp cloth to clean.

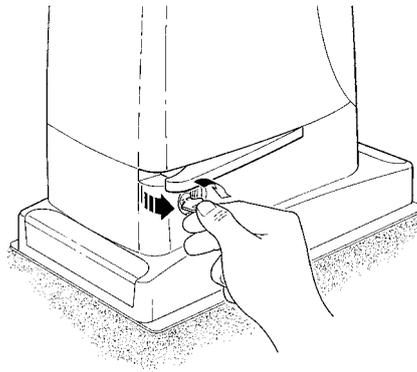


Manual movement and release: before carrying out this operation please note that release can only occur when the leaf is stopped.

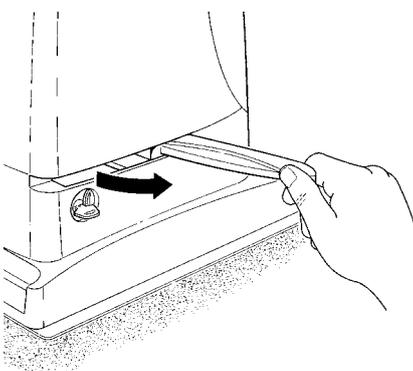
1 Slide the lock cover disc.



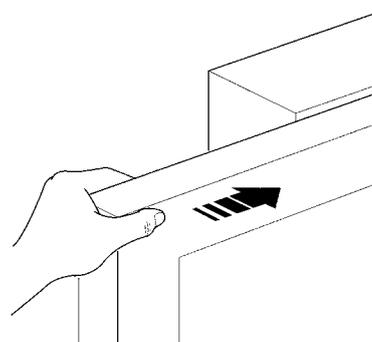
2 Insert and turn the key clockwise.



3 Pull the release handle.



4 Move the leaf manually.



To lock: carry out the same procedures backwards.

Control with safety devices out of order: If the safety devices are malfunctioning, it is still possible to control the gate.

- Operate the gate control device (remote control or key-operated selector switch, etc.). If the safety devices enable the operation, the gate will open and close normally, otherwise the flashing light flashes a few times but the manoeuvre does not start (the number of flashes depends on the reason why the manoeuvre is not enabled).
- In this case, **actuate the control** again within 3 seconds and keep it actuated.
- After approximately 2s the gate will start moving in the "man present" mode, i.e. so long as the control is maintained the gate will keep moving; as soon as the control is released the gate will stop.

⚠ If the safety devices are out of order the automation must be repaired as soon as possible.

Replacing the Remote Control Battery: if your radio control, after a period of time, seems not to work as well, or not to work at all, it may simply be that the battery is exhausted (depending on the type of use, it may last from several months up to one year and more). In this case you will see that the light confirming the transmission is weak, or does not come on, or comes on only briefly. Before calling the installation technician try exchanging the battery with one from another operating transmitter:

if the problem is caused by a low battery, just replace it with another of the same type. The batteries contain polluting substances: do not dispose of them together with other waste but use the methods established by local regulations.

CE declaration of conformity and declaration of incorporation of partly completed machinery

Declaration in accordance with the following Directives: 2004/108/EC (EMC); 2006/42/EC (MD) Annex II, Part B

Note - The content of this declaration corresponds to that specified in the official document deposited at the Nice S.p.A. headquarters and, in particular, to the latest revised edition available prior to the publishing of this manual. The text herein has been re-edited for editorial purposes. A copy of the original declaration can be requested from Nice S.p.A. (TV) - Italy

Number: 238/RUN

Revision: 5

Language: EN

Manufacturer's Name:

Nice S.p.A.

Address:

Via Pezza Alta 13, 31046 Rustignè di Oderzo (TV) Italy

**Person authorised to compile
the technical documentation:**

Nice S.p.A.

Type of product:

Electromechanical gearmotor with incorporated control unit

Models:

RUN1800, RUN2500, RUN1800P, RUN2500P

Accessories:

Radio receiver models SMXI, SMXIS and ONEXI

The undersigned, Mauro Sordini, as Chief Executive Officer, hereby declares under his own responsibility that the products identified above comply with the provisions of the following directives:

- DIRECTIVE 2004/108/EC OF THE EUROPEAN PARLIAMENT AND COUNCIL of 15 December 2004 on the approximation of the laws of Member States relating to electromagnetic compatibility and repealing Directive 89/336/EEC, in accordance with the following harmonised standards: EN 61000-6-2:2005, EN 61000-6-3:2007 + A1:2011

In addition, the product conforms to the following directive in accordance with the provisions applicable to partly completed machinery:

Directive 2006/42/EC OF THE EUROPEAN PARLIAMENT AND COUNCIL of 17 May 2006 regarding machines and amending Directive 95/16/EC (consolidated text)

- It is hereby declared that the pertinent technical documentation has been drafted in accordance with Annex VII B of Directive 2006/42/EC and that the following essential requirements have been met: 1.1- 1.1.2- 1.1.3- 1.2.1-1.2.6- 1.5.1-1.5.2- 1.5.5- 1.5.6- 1.5.7- 1.5.8- 1.5.10- 1.5.11
- The manufacturer agrees to provide to the national authorities pertinent information on the partly completed machinery, in response to a motivated request, without prejudice to its intellectual property rights.
- If the partly completed machinery is operated in a European country with an official language other than the language used in this declaration, the importer must include a translation with this declaration.
- The partly completed machinery must not be operated until the final machine in which it is to be incorporated is declared to conform to the provisions of Directive 2006/42/EC, if applicable.

The product also complies with the following standards:

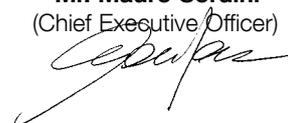
EN 60335-1:2012 EN 60335-2-103:2003 + A11:2009

The parts of the product which are subject to the following standards comply with them:

EN 13241-1:2003+A1:2011, EN 12445:2002, EN 12453:2002, EN 12978:2003+A1:2009

Oderzo, 01 July 2014

Mr. Mauro Sordini
(Chief Executive Officer)



Indice:	pag.		
1	Avvertenze	29	
2	Descrizione prodotto e destinazione d'uso	30	
2.1	Limiti d'impiego	30	
2.2	Impianto tipico	32	
2.3	Elenco cavi	32	
3	Installazione	33	
3.1	Verifiche preliminari	33	
3.2	Fissaggio del motoriduttore	33	
3.3	Fissaggio delle staffe di finecorsa nelle versioni con finecorsa induttivo	34	
3.4	Installazione dei vari dispositivi	35	
3.5	Collegamenti elettrici	35	
3.6	Descrizione dei collegamenti elettrici	36	
4	Verifiche finali ed avviamento	36	
4.1	Selezione della direzione	36	
4.2	Allacciamento dell'alimentazione	36	
4.3	Apprendimento dei dispositivi	36	
4.4	Apprendimento lunghezza dell'anta	37	
4.5	Verifica del movimento del cancello	37	
4.6	Funzioni preimpostate	37	
4.7	Ricevitore radio	37	
5	Collaudo e messa in servizio	37	
5.1	Collaudo	38	
5.2	Messa in servizio	38	
6	Manutenzione e smaltimento	38	
6.1	Manutenzione	38	
6.2	Smaltimento	38	
7	Approfondimenti	39	
7.1	Tasti di programmazione	39	
7.2	Programmazioni	39	
7.2.1	Funzioni primo livello (funzioni ON-OFF)	39	
7.2.2	Programmazione primo livello (funzioni ON-OFF)	40	
7.2.3	Funzioni secondo livello (parametri regolabili)	40	
7.2.4	Programmazione secondo livello (parametri regolabili)	41	
7.2.5	Esempio di programmazione primo livello (funzioni ON-OFF)	42	
7.2.6	Esempio di programmazione secondo livello (parametri regolabili)	42	
7.3	Aggiunta o rimozione dispositivi	42	
7.3.1	BlueBUS	42	
7.3.2	Ingresso STOP	43	
7.3.3	Fotocellule	43	
7.3.4	Fotocellula FT210B	43	
7.3.5	RUN in modalità "Slave"	44	
7.3.6	Apprendimento altri dispositivi	45	
7.4	Funzioni particolari	45	
7.4.1	Funzione "Apri sempre"	45	
7.4.2	Funzione "Muovi comunque"	45	
7.4.3	Sistema di controllo del riscaldamento e raffreddamento	45	
7.4.4	Avviso di manutenzione	45	
7.5	Collegamento altri dispositivi	46	
7.6	Risoluzione dei problemi	47	
7.6.1	Elenco storico anomalie	47	
7.7	Diagnostica e segnalazioni	47	
7.7.1	Segnalazioni con il lampeggiante	48	
7.7.2	Segnalazioni sulla centrale	48	
7.8	Accessori	49	
7.8.1	Unità di programmazione remota	49	
8	Caratteristiche tecniche	50	
	Istruzioni ed avvertenze destinate all'utilizzatore del motoriduttore RUN	51	
	Dichiarazione CE di conformità	53	

1) Avvertenze

Questo manuale di istruzioni contiene importanti informazioni riguardanti la sicurezza per l'installazione, è necessario leggere tutte le istruzioni prima di procedere all'installazione. Conservare con cura questo manuale anche per utilizzi futuri.

Considerando i pericoli che si possono verificare durante l'installazione e l'uso di RUN, per la massima sicurezza è necessario che l'installazione avvenga nel pieno rispetto di leggi, norme e regolamenti. In questo capitolo verranno riportate avvertenze di tipo generico; altre importanti avvertenze sono presenti nei capitoli "3.1 Verifiche preliminari"; "5 Collaudo e messa in servizio".

⚠ Secondo la più recente legislazione europea, l'automazione di una porta o cancello ricade in quanto previsto dalla Direttiva 98/37/CE (Direttiva Macchine) e nel particolare, alle norme: EN 13241-1 (norma armonizzata); EN 12445; EN 12453 ed EN 12635, che consentono di dichiarare la conformità alla direttiva macchine.

Ulteriori informazioni, linee guida all'analisi dei rischi ed alla realizzazione del Fascicolo Tecnico, sono disponibili su: "www.niceforyou.com". Il presente manuale è destinato solamente al personale tecnico qualificato per l'installazione. Salvo lo specifico allegato da staccare a cura dell'installatore "Istruzioni ed avvertenze destinate all' utilizzatore del motoriduttore RUN" nessuna altra informazione contenuta nel presente fascicolo può essere considerata d'interesse per l'utilizzatore finale!

- L'uso di RUN diverso da quanto previsto in queste istruzioni è vietato; usi impropri possono essere causa di pericoli o danni a persone e cose.
- Prima di iniziare l'installazione è necessario eseguire l'analisi dei rischi che comprende l'elenco dei requisiti essenziali di sicurezza previsti nell'allegato I della Direttiva Macchine, indicando le relative soluzioni adottate. Si ricorda che l'analisi dei rischi è uno dei documenti che costituiscono il fascicolo tecnico dell'automazione.
- Verificare la necessità di ulteriori dispositivi per completare l'automazione con RUN in base alla specifica situazione d'impiego ed ai pericoli presenti; devono essere considerati ad esempio i rischi di impatto, schiacciamento, cesoiamento, convogliamento, ecc., ed altri pericoli in genere.
- Non eseguire modifiche su nessuna parte se non previste nelle presenti istruzioni; operazioni di questo tipo possono solo causare malfunzionamenti; NICE declina ogni responsabilità per danni derivati da prodotti modificati.
- Durante l'installazione e l'uso evitare che parti solide o liquidi possano penetrare all'interno della centrale e di altri dispositivi aperti; eventualmente rivolgersi al servizio di assistenza NICE; l'uso di RUN in queste situazioni può causare situazioni di pericolo
- L'automatismo non può essere utilizzato prima di aver effettuato la messa in servizio come specificato nel capitolo: "5 Collaudo e messa in servizio".
- Il materiale dell'imballaggio di RUN deve essere smaltito nel pieno rispetto della normativa locale.
- Nel caso di guasto non risolvibile facendo uso delle informazioni riportate nel presente manuale, interpellare il servizio di assistenza NICE.
- Qualora si verificano interventi di interruttori automatici o di fusibili, prima di ripristinarli è necessario individuare ed eliminare il guasto.
- Prima di accedere ai morsetti interni al coperchio di RUN scollegare tutti i circuiti di alimentazione; se il dispositivo di sconnessione non è a vista apporvi un cartello: "ATTENZIONE MANUTENZIONE IN CORSO".

Avvertenze particolari sull'idoneità all'uso di questo prodotto in relazione alla Direttiva "Macchine" 98/37/CE (ex 89/392/CEE):

- Questo prodotto viene immesso sul mercato come "componente di macchina" e quindi costruito per essere incorporato in una macchina o per essere assemblato con altri macchinari al fine di realizzare "una macchina" ai sensi della Direttiva 98/37/CE solo in abbinamento agli altri componenti e nei modi così come descritto nel presente manuale di istruzioni. Come previsto dalla direttiva 98/37/CE si avverte che non è consentita la messa in servizio di questo prodotto finché il costruttore della macchina, in cui questo prodotto è incorporato, non l'ha identificata e dichiarata conforme alla direttiva 98/37/CE.

Avvertenze particolari sull'idoneità all'uso di questo prodotto in relazione alla Direttiva "Bassa Tensione" 73/23/CEE e successive modifiche 93/68/CEE:

- Questo prodotto risponde ai requisiti previsti dalla Direttiva "Bassa Tensione" se impiegato per l'uso e nelle configurazioni previste in questo manuale di istruzioni ed in abbinamento con gli articoli presenti nel catalogo prodotti di Nice S.p.a. Potrebbero non essere garantiti i requisiti se il prodotto è usato in configurazioni o con altri prodotti non previsti; è vietato l'uso del prodotto in queste situazioni finché chi esegue l'installazione non abbia verificato la rispondenza ai requisiti previsti dalla direttiva.

Avvertenze particolari sull'idoneità all'uso di questo prodotto in relazione alla Direttiva "Compatibilità Elettromagnetica" 89/336/CEE e successiva modifiche 92/31/CEE e 93/68/CEE:

- Questo prodotto è stato sottoposto alle prove relative alla compatibilità elettromagnetica nelle situazioni d'uso più critiche, nelle configurazioni previste in questo manuale di istruzioni ed in abbinamento con gli articoli presenti nel catalogo prodotti di Nice S.p.a. Potrebbe non essere garantita la compatibilità elettromagnetica se il prodotto è usato in configurazioni o con altri prodotti non previsti; è vietato l'uso del prodotto in queste situazioni finché chi esegue l'installazione non abbia verificato la rispondenza ai requisiti previsti dalla direttiva.

2) Descrizione prodotto e destinazione d'uso

RUN è una linea di motoriduttori elettromeccanici irreversibili, destinati all'automazione di cancelli scorrevoli. Dispongono di una centrale elettronica di controllo e di un connettore tipo "SM" per il ricevitore dei radiocomandi (opzionale). I collegamenti elettrici verso i dispositivi esterni sono semplificati grazie all'uso di "BlueBUS", una tecnica che permette di collegare più dispositivi con soli 2 fili. L'elenco dei dispositivi che si possono collegare a BlueBUS di Run è presente nel capitolo 7.3.1 "BlueBUS"; un elenco aggiornato, con

le relative compatibilità è presente anche su: www.niceforyou.com. RUN dispone di un connettore per l'unità di programmazione remota che consente una completa e rapida gestione dell'installazione, della manutenzione e della diagnosi di eventuali malfunzionamenti; vedere anche 7.8.1 "Unità di programmazione remota".

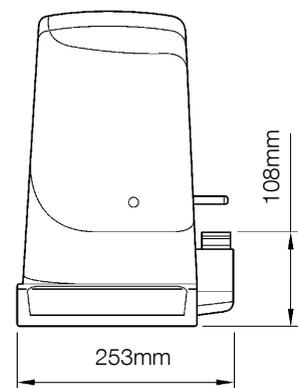
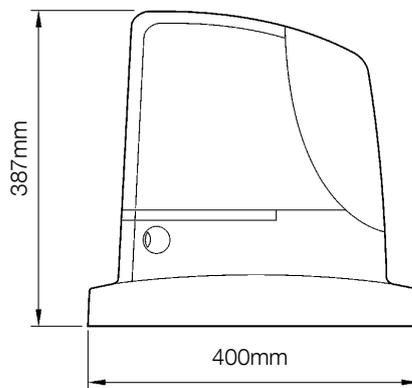
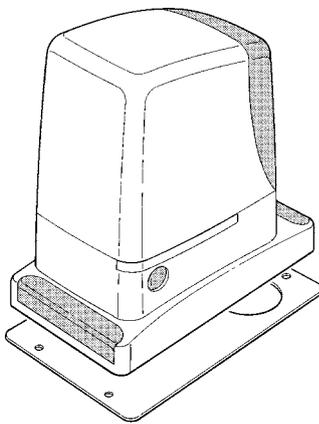
RUN funzionano mediante energia elettrica, in caso di mancanza di alimentazione dalla rete elettrica, è possibile effettuare lo sblocco mediante apposita chiave e muovere manualmente il cancello.

Della linea RUN fanno parte i prodotti le cui differenze principali sono descritte in tabella 1.

Tabella 1: comparazione caratteristiche essenziali motoriduttore RUN

Motoriduttore tipo	RUN1800	RUN1800P	RUN2500	RUN2500P
Tipo di finecorsa	elettromeccanico	di prossimità induttivo	elettromeccanico	di prossimità induttivo
Lunghezza massima anta	15m		18m	
Peso massimo anta	1800 kg		2500 kg	
Coppia massima allo spunto (corrispondenti a forza)	40Nm (1110N)		50Nm (1390N)	
Motore	Asincrono monofase 700W massimo		Asincrono monofase 870W massimo	

Nota: 1kg = 9,81N quindi, ad esempio: 1390N = 142kg



1

2.1) Limiti d'impiego

I dati relativi alle prestazioni dei prodotti della linea RUN sono riportati nel capitolo "8 Caratteristiche tecniche" e sono gli unici valori che consentono la corretta valutazione dell'idoneità all'uso. Le caratteristiche strutturali di RUN li rendono adatti all'uso su ante scorrevoli, secondo i limiti riportati nelle tabelle 2, 3 e 4.

La reale idoneità di RUN ad automatizzare un determinato cancello scorrevole dipende dagli attriti e da altri fenomeni, anche occasionali, come la presenza di ghiaccio che potrebbe ostacolare il movimento dell'anta.

Per una verifica reale è assolutamente indispensabile misurare la forza necessaria per muovere l'anta in tutta la sua corsa e controllare che questa non superi la metà della "coppia nominale" riportata nel capitolo "8 Caratteristiche tecniche" (è consigliato un margine del 50% perché le condizioni climatiche avverse possono far aumentare

gli attriti); inoltre per stabilire il numero di cicli/ora e i cicli consecutivi occorre considerare quanto riportato nelle tabelle 2 e 3.

Tabella 2: limiti in relazione alla lunghezza dell'anta

Lunghezza anta (m)	RUN1800/ RUN1800P		RUN2500/ RUN2500P	
	cicli/ora massimi	cicli consecutivi massimi	cicli/ora massimi	cicli consecutivi massimi
Fino a 6	42	28	42	42
6 ÷ 9	28	18	28	28
9 ÷ 12	21	14	21	21
12 ÷ 15	17	11	17	17
15 ÷ 18			14	14

Tabella 3: limiti in relazione al peso dell'anta

Peso dell'anta (kg)	RUN1800/ RUN1800P	RUN2500/ RUN2500P
	Percentuale cicli	Percentuale cicli
Fino a 500	100%	100%
500 ÷ 900	80	80
900 ÷ 1200	75	75
1200 ÷ 1500	60	60
1500 ÷ 1800	50	50
2000 ÷ 2300	---	40
2300 ÷ 2500	---	30

La lunghezza dell'anta permette di determinare il numero massimo di cicli per ora ed i cicli consecutivi mentre il peso permette di determinare la percentuale di riduzione dei cicli; ad esempio per RUN1800, se l'anta è lunga 10m sarebbero possibili 21 cicli/ora e 14 cicli consecutivi ma se l'anta pesa 1300kg occorre ridurli al 60%, il risultato è quindi circa 9 cicli/ora e 8 cicli consecutivi. Per evitare surriscaldamenti la centrale prevede un limitatore di manovre che si basa sullo sforzo del motore e la durata dei cicli, intervenendo quando viene superato il limite massimo. Il limitatore delle manovre misura anche la temperatura ambientale riducendo ulteriormente le manovre in caso di temperatura particolarmente alta.

Nel capitolo "8 Caratteristiche tecniche" è riportata la stima di "durabilità" cioè di vita economica media del prodotto. Il valore è fortemente influenzato dall'indice di gravosità delle manovre, cioè dalla somma di tutti i fattori che concorrono all'usura. Per effettuare la stima occorre sommare tutti gli indici di gravosità della tabella 4, poi con il risultato totale verificare nel grafico la durabilità stimata. Ad esempio, RUN1800 su un cancello di 1300kg, lungo 10m, dotato di fotocellule e senza altri elementi di affaticamento, ottiene un indice di gravosità pari al 45% (20+15+10). Dal grafico la durabilità stimata è 200.000 cicli.

Si precisa che la stima di durabilità viene fatta sulla base dei calcoli progettuali e dei risultati di prove effettuate sui prototipi; essendo una stima non rappresenta alcuna garanzia sulla effettiva durata del prodotto.

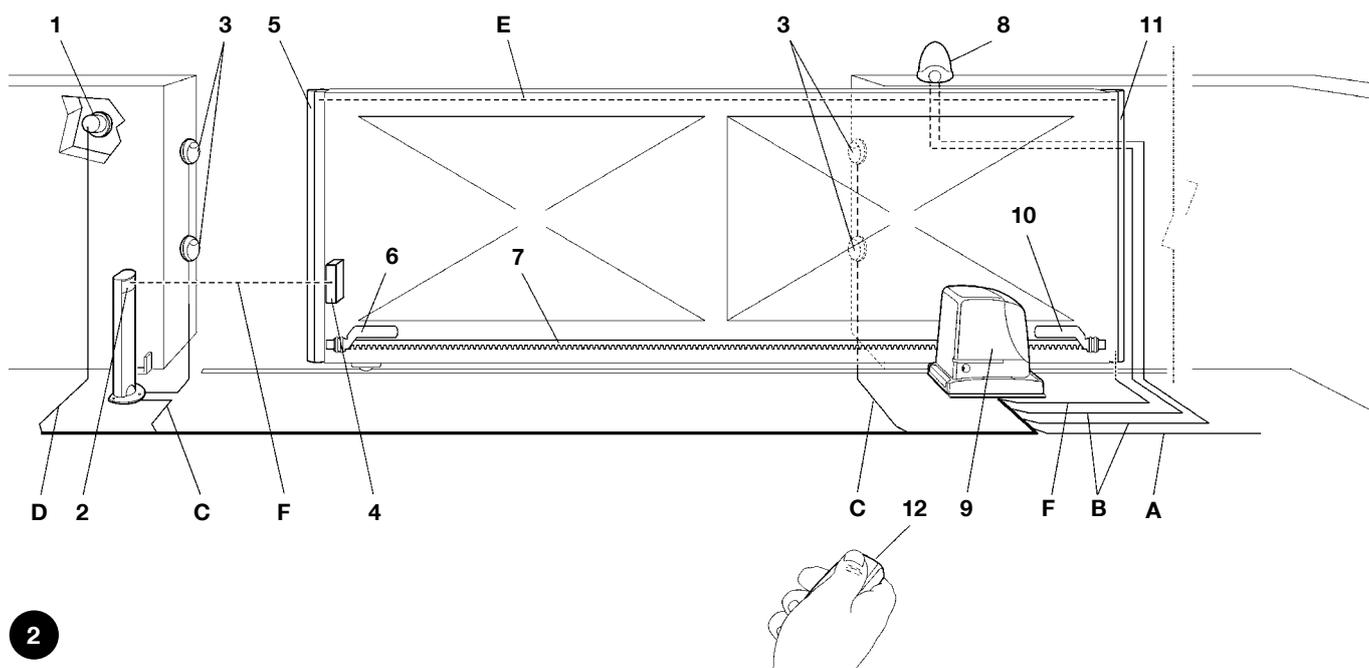
Tabella 4: stima della durabilità in relazione all'indice di gravosità della manovra

Indice di gravosità %	Run		Durabilità in cicli
	1800	2500	
Peso dell'anta kg			
Fino a 500	5	5	
500 ÷ 900	10	10	
900 ÷ 1200	20	20	
1200 ÷ 1500	30	30	
1500 ÷ 1800	40	40	
1800 ÷ 2200	-	50	
2200 ÷ 2500	-	60	
Lunghezza dell'anta metri			
Fino a 6	5	5	
6 ÷ 9	10	10	
9 ÷ 12	15	15	
12 ÷ 15	25	25	
15 ÷ 18	-	35	
Altri elementi di affaticamento (da considerare se la probabilità che accadano è superiore al 10%)			
Temperatura ambientale superiore a 40°C o inferiore a 0°C o umidità superiore all'80%	10	10	
Presenza di polvere o sabbia	15	15	
Presenza di salsedine	20	20	
Interruzione manovra da Foto	10	10	
Interruzione manovra da Alt	20	20	
Spunto attivo	10	10	
Totale indice di gravosità %:			

Nota: se l'indice di gravosità supera il 100% significa che le condizioni sono oltre il limite di accettabilità; si consiglia l'uso di un modello di taglia superiore.

2.2) Impianto tipico

In figura 2 è riportato l'impianto tipico di un cancello scorrevole automatizzato con RUN.



2

- | | | | |
|---|------------------------------|----|--------------------------------------|
| 1 | Selettore a chiave | 7 | Cremagliera |
| 2 | Ricevitore FT210B | 8 | Lampeggiante con antenna incorporata |
| 3 | Fotocellule | 9 | RUN |
| 4 | Trasmettitore FT210B | 10 | Staffa di finecorsa "Chiuso" |
| 5 | Bordo primario mobile | 11 | Bordo secondario mobile (opzionale) |
| 6 | Staffa di finecorsa "Aperto" | 12 | Radio trasmettitore |

2.3) Elenco cavi

Nell'impianto tipico di figura 2 sono indicati anche i cavi necessari per i collegamenti dei vari dispositivi; in tabella 5 sono indicate le caratteristiche dei cavi.

⚠ I cavi utilizzati devono essere adatti al tipo di installazione; ad esempio si consiglia un cavo tipo H03VV-F per posa in ambienti interni oppure H07RN-F se posato all'esterno.

Tabella 5: elenco cavi

Collegamento	Tipo cavo	Lunghezza massima consentita
A: Linea elettrica di alimentazione	N°1 cavo 3x1,5mm ²	30m (nota 1)
B: Lampeggiante con antenna	N°1 cavo 2x0,5mm ²	20m
	N°1 cavo schermato tipo RG58	20m (consigliato minore di 5m)
C: Fotocellule	N°1 cavo 2x0,5mm ²	30m (nota 2)
D: Selettore a chiave	N°2 cavi 2x0,5mm ² (nota 3)	50m
E: Collegamento tra i 2 bordi mobili	N°1 cavo 2x0,5mm ² (nota 4)	20m
F: Collegamento bordi mobili	N°1 cavo 2x0,5mm ² (nota 5)	30m

Nota 1: se il cavo di alimentazione è più lungo di 30m occorre un cavo con sezione maggiore, ad esempio 3x2,5mm² ed è necessaria una messa a terra di sicurezza in prossimità dell'automazione.

Nota 2: se il cavo "BLUEBUS" è più lungo di 30m, fino ad un massimo di 50m, occorre un cavo 2x1mm².

Nota 3: i due cavi 2x0,5mm² possono essere sostituiti da un solo cavo 4x0,5mm².

Nota 4: se è presente più di un bordo vedere il paragrafo "7.3.2 Ingresso STOP" per il tipo di collegamento consigliato

Nota 5: per il collegamento dei bordi mobili su ante scorrevoli occorre utilizzare opportuni dispositivi che permettono la connessione anche con l'anta in movimento; nella figura è indicato l'utilizzo di FT210B.

3) Installazione

⚠ L'installazione di RUN deve essere effettuata da personale qualificato, nel rispetto di leggi, norme e regolamenti e di quanto riportato nelle presenti istruzioni.

3.1) Verifiche preliminari

Prima di procedere con l'installazione di RUN è necessario eseguire questi controlli:

- Verificare che tutto il materiale da utilizzare sia in ottimo stato, adatto all'uso e conforme alle norme.
- Verificare che la struttura del cancello sia adatta ad essere automatizzata.
- Verificare che peso e dimensioni dell'anta rientrino i limiti di impiego riportati nel capitolo "2.1 Limiti d'impiego".
- Verificare, confrontando con i valori riportati nel capitolo "8 Caratteristiche tecniche", che la forza necessaria per mettere in movimento l'anta sia inferiore a metà della "Coppia massima" e che la forza necessaria per mantenere in movimento l'anta sia inferiore a metà della "Coppia nominale"; viene consigliato un margine del 50% sulle forze perché le condizioni climatiche avverse possono far aumentare gli attriti.
- Verificare che in tutta la corsa del cancello, sia in chiusura che in apertura, non ci siano punti con maggiore attrito.
- Verificare che non vi sia pericolo di deragliamenti dell'anta e che non ci siano rischi di uscita dalle guide.
- Verificare la robustezza degli arresti meccanici di oltre corsa controllando che non vi siano deformazioni anche se l'anta dovesse sbattere con forza sull'arresto.
- Verificare che l'anta sia in equilibrio cioè non deve muoversi se lasciata ferma in una qualsiasi posizione.
- Verificare che la zona di fissaggio del motoriduttore non sia soggetta ad allagamenti; eventualmente prevedere il montaggio del motoriduttore adeguatamente sollevato da terra.

- Verificare che la zona di fissaggio del motoriduttore permetta lo sblocco ed una manovra manuale facile e sicura.
- Verificare che i punti di fissaggio dei vari dispositivi siano in zone protette da urti e le superfici siano sufficientemente solide.
- Evitare che le parti dell'automatismo possano venir immerse in acqua o in altre sostanze liquide.
- Non porre RUN vicino a fiamme o fonti di calore; in atmosfere potenzialmente esplosive, particolarmente acide o saline; questo può danneggiare RUN ed essere causa di malfunzionamenti o situazioni di pericolo.
- Nel caso sia presente un porta di passaggio interna all'anta oppure una porta sull'area di movimento dell'anta, occorre assicurarsi che non intralci la normale corsa ed eventualmente provvedere con un opportuno sistema di interblocco.
- Collegare la centrale ad una linea di alimentazione elettrica dotata di messa a terra di sicurezza.
- La linea di alimentazione elettrica deve essere protetta da un adeguato dispositivo magnetotermico e differenziale.
- Sulla linea di alimentazione dalla rete elettrica è necessario inserire un dispositivo di sconnessione dell'alimentazione (con categoria di sovratensione III cioè distanza fra i contatti di almeno 3,5mm) oppure altro sistema equivalente ad esempio una presa e relativa spina. Se il dispositivo di sconnessione dell'alimentazione non è in prossimità dell'automazione deve disporre di un sistema di blocco contro la connessione non intenzionale o non autorizzata.

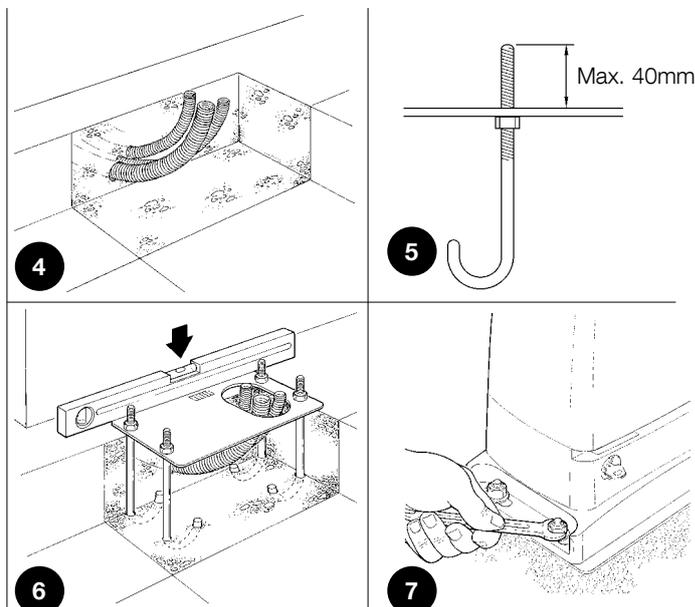
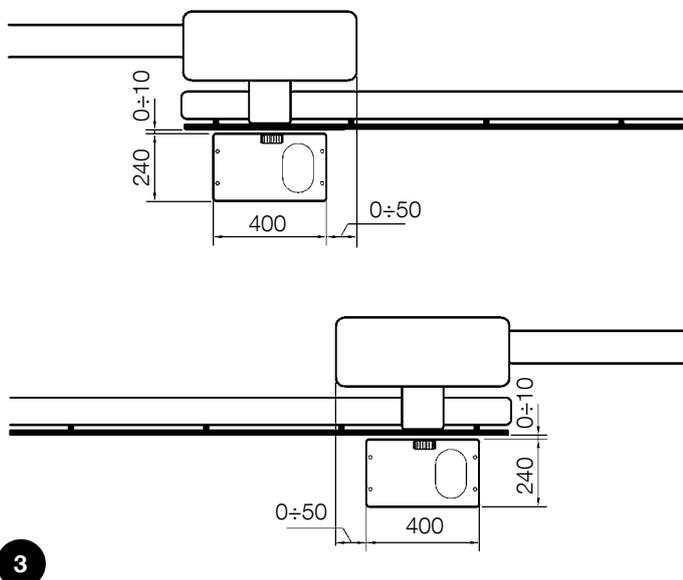
3.2) Fissaggio del motoriduttore

Se la superficie di appoggio è già esistente il fissaggio del motoriduttore dovrà avvenire direttamente sulla superficie utilizzando adeguati mezzi ad esempio attraverso tasselli ad espansione. Altrimenti, per fissare il motoriduttore:

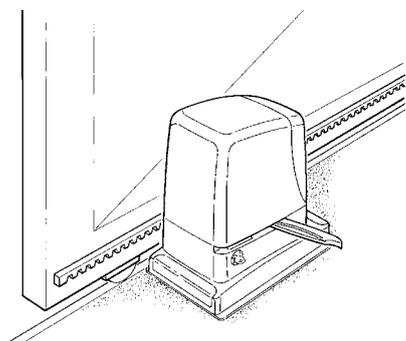
1. Eseguire uno scavo di fondazione di adeguate dimensioni usando come riferimento le quote indicate in figura 3.
2. Predisporre uno o più tubi per il passaggio dei cavi elettrici come in figura 4.
3. Assemblare le 4 zanche sulla piastra di fondazione ponendo un dado sotto ed uno sopra la piastra; il dado sotto alla piastra va

avvitato come in figura 5 in modo che la parte filettata sporga al massimo 40mm dalla piastra.

4. Effettuare la colata di calcestruzzo e, prima che inizi la presa, porre la piastra di fondazione alle quote indicate in figura 3; verificare che sia parallela all'anta e perfettamente in bolla, figura 6. Attendere la completa presa del calcestruzzo.
5. Togliere i 4 dadi superiori alla piastra quindi appoggiarvi il motoriduttore; verificare che sia perfettamente parallelo all'anta poi avvitare leggermente i 4 dadi e rondelle in dotazione come in figura 7.

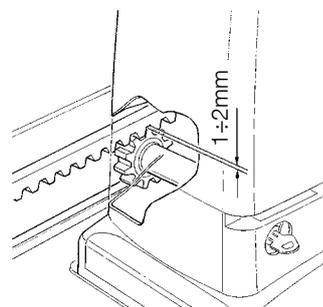


6. Sbloccare il motoriduttore come indicato nel paragrafo “Sblocco e movimento manuale” sul capitolo “Istruzioni ed avvertenze destinate all'utilizzatore del motoriduttore RUN”.
7. Aprire completamente l'anta, appoggiare sul pignone il primo tratto di cremagliera e verificare che l'inizio della cremagliera corrisponda all'inizio dell'anta come in figura 8. Verificare che tra pignone e cremagliera vi sia un gioco di 1÷2 mm, quindi fissare con mezzi adeguati la cremagliera sull'anta.

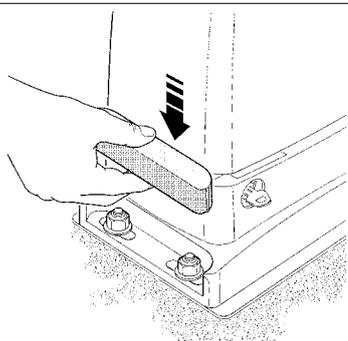


8

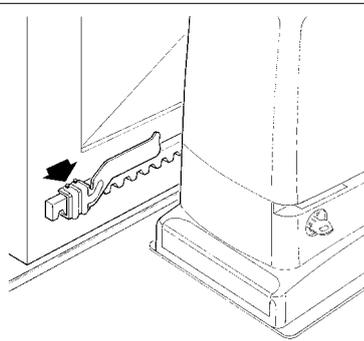
⚠ Per evitare che il peso dell'anta possa gravare sul motoriduttore è importante che tra cremagliera e pignone ci sia un gioco di 1÷2 mm come in figura 9.



9



10



11

8. Far scorrere l'anta ed utilizzare sempre il pignone come riferimento per fissare gli altri elementi della cremagliera.
9. Tagliare l'ultimo tratto di cremagliera per la parte eccedente.
10. Provare a muovere l'anta varie volte in apertura e chiusura e verificare che la cremagliera scorra allineata sul pignone con un disallineamento massimo di 5 mm e che per tutta la lunghezza sia stato rispettato il gioco 1÷2 mm tra pignone e cremagliera.
11. Serrare energicamente i dadi di fissaggio del motoriduttore assicurandosi così che sia ben saldo a terra; coprire i dadi di fissaggio con gli appositi tappi come in figura 10.
12. Fissare le staffe di finecorsa come descritto di seguito (per le versioni RUN1800P e RUN2500P fissare le staffe come descritto nel

paragrafo “3.3 Fissaggio delle staffe di finecorsa nelle versioni con finecorsa di prossimità induttivo”):

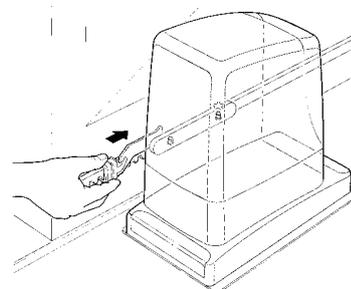
- Portare manualmente l'anta in posizione di apertura lasciando almeno 2-3cm dall'arresto meccanico.
 - Far scorrere la staffa sulla cremagliera nel senso dell'apertura fino a far intervenire il finecorsa. Quindi far avanzare la staffa di almeno 2cm e poi bloccare con i relativi grani la staffa alla cremagliera, come in figura 11.
 - Eseguire la stessa operazione per il finecorsa di chiusura.
13. Bloccare il motoriduttore come indicato nel paragrafo. Sblocco e movimento manuale, sul capitolo “Istruzioni ed avvertenze destinate all'utilizzatore”.

3.3) Fissaggio delle staffe di finecorsa nelle versioni con finecorsa di prossimità induttivo

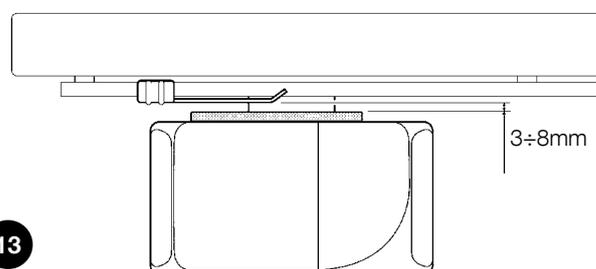
Per le versioni RUN1800P e RUN2500P che utilizzano il finecorsa di prossimità induttivo, occorre fissare le staffe finecorsa come descritto di seguito.

1. Portare manualmente l'anta in posizione di apertura lasciando almeno 2-3cm dall'arresto meccanico.
2. Far scorrere la staffa sulla cremagliera nel senso dell'apertura fino a quando il led corrispondente si spegne, come in figura 12. Quindi far avanzare la staffa di almeno 2cm e poi bloccare con i relativi grani la staffa alla cremagliera.
3. Portare manualmente l'anta in posizione di chiusura lasciando almeno 2-3cm dall'arresto meccanico.
4. Far scorrere la staffa sulla cremagliera nel senso della chiusura fino a quando il led corrispondente si spegne. Quindi far avanzare la staffa di almeno 2cm e poi bloccare con i relativi grani la staffa alla cremagliera.

⚠ Nel finecorsa di prossimità induttivo, la distanza della staffa deve essere compresa tra 3 e 8mm, come indicato in figura 13.



12



13

3.4) Installazione dei vari dispositivi

Effettuare l'installazione degli altri dispositivi previsti seguendo le rispettive istruzioni. Verificare nel paragrafo "3.6 Descrizione dei collegamenti elettrici" ed in figura 2 i dispositivi che possono essere collegati a RUN.

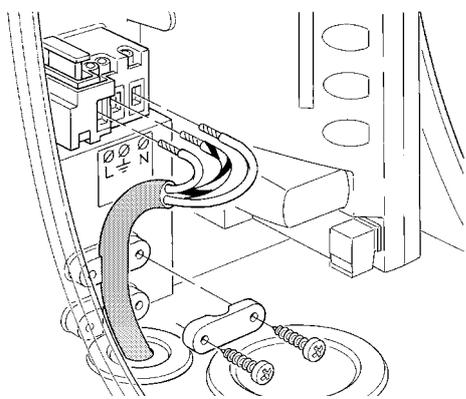
3.5) Collegamenti elettrici

⚠ Tutti i collegamenti elettrici devono essere eseguiti in assenza di tensione all'impianto.

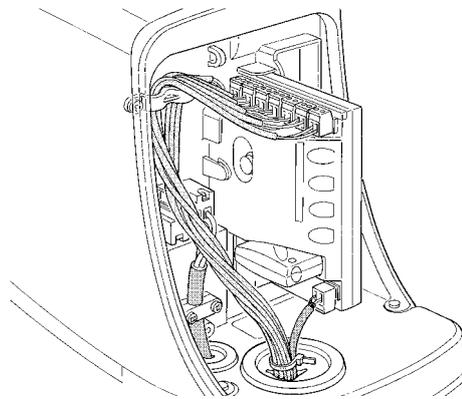
1. Per rimuovere il coperchio di protezione ed accedere alla centrale elettronica di controllo di RUN occorre togliere la vite a lato e sfilare il coperchio tirandolo verso l'alto.
2. Rimuovere le due membrane di gomma che chiudono i due fori per il passaggio dei cavi. Infilare il cavo di alimentazione, da solo, nel foro più piccolo e tutti gli altri cavi verso i vari dispositivi nel foro più grande. Lasciare i cavi 20-30 cm più lunghi del necessario. Vedere tabella 5 per il tipo di cavi e figura 2 per i collegamenti.
3. Attraverso una fascetta raccogliere ed unire tutti i cavi che entrano dal foro più grande, porre la fascetta poco sotto il foro d'entrata cavi. Sulla membrana più grande ritagliare un foro un po' più

stretto del diametro dei cavi raccolti ed infilare la membrana lungo i cavi fino alla fascetta; quindi reinserire la membrana nella sua sede. Porre una seconda fascetta per raccogliere i cavi appena sopra la membrana.

4. Sulla membrana più piccola ritagliare un foro un po' più stretto del diametro del cavo di alimentazione ed infilare la membrana lungo il cavo fino a reinserirla nella sua sede.
5. Collegare il cavo di alimentazione da rete sull'apposito morsetto e bloccarlo con l'apposito collarino come indicato in figura 14.
6. Eseguire i collegamenti degli altri cavi secondo lo schema di figura 16. Per maggiore comodità i morsetti sono estraibili.
7. Terminati i collegamenti bloccare con delle fascette i cavi raccolti agli anelli ferma cavi. La parte eccedente del cavo d'antenna va bloccata agli altri cavi con un'altra fascetta come indicato in figura 15.

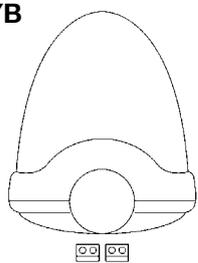


14



15

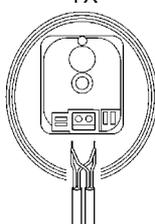
LUCYB



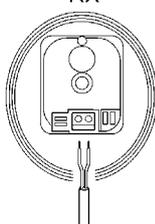
S.C.A.



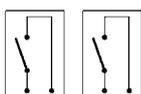
MOFB



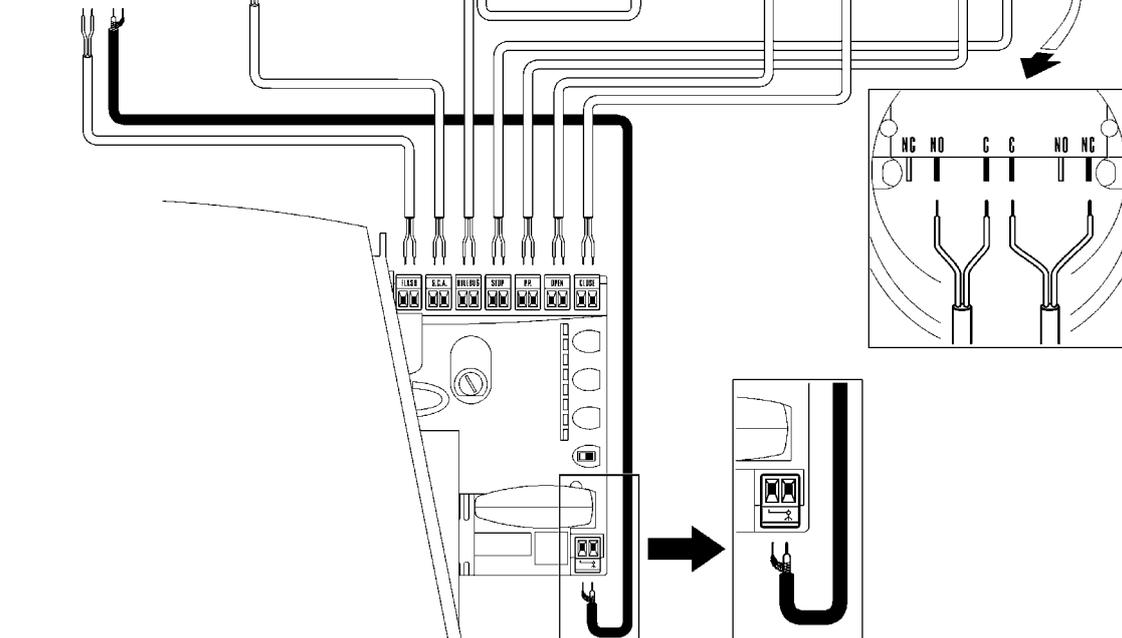
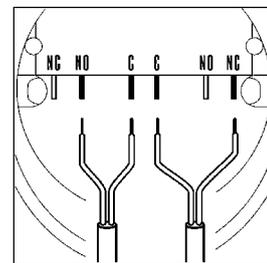
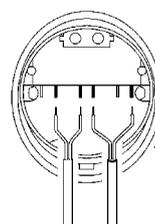
RX



OPEN CLOSE



MOSE



16

Per il collegamento di 2 motori su ante contrapposte vedere il paragrafo "7.3.5 RUN in modalità Slave".

3.6) Descrizione dei collegamenti elettrici

In questo paragrafo c'è una breve descrizione dei collegamenti elettrici; ulteriori informazioni sono presenti nel paragrafo "7.3 Aggiunta o rimozione dispositivi".

FLASH: uscita per uno o due lampeggianti tipo "LUCYB" o simili con la sola lampada 12V massimo 21W.

S.C.A.: uscita "Spia Cancellato Aperto"; è possibile collegare una lampada di segnalazione 24V massimo 4W. Può essere programmata anche per altre funzioni; vedere paragrafo "7.2.3 Funzioni secondo livello"

BLUEBUS: su questo morsetto si possono collegare i dispositivi compatibili; tutti vengono collegati in parallelo con soli due conduttori sui quali transita sia l'alimentazione elettrica che i segnali di comunicazione. Altre informazioni su BlueBUS sono presenti nel paragrafo "7.3.1 BlueBUS".

STOP: ingresso per dispositivi che bloccano o eventualmente arrestano la manovra in corso; con opportuni accorgimenti sull'ingresso

è possibile collegare contatti tipo "Normalmente Chiuso", tipo "Normalmente Aperto" oppure dispositivi a resistenza costante. Altre informazioni su STOP sono presenti nel paragrafo "7.3.2 Ingresso STOP".

P.P.: ingresso per dispositivi che comandano il movimento in modalità Passo-Passo; è possibile collegare contatti di tipo "Normalmente Aperto".

OPEN: ingresso per dispositivi che comandano il movimento di sola apertura; è possibile collegare contatti di tipo "Normalmente Aperto".

CLOSE: ingresso per dispositivi che comandano il movimento di sola chiusura; è possibile collegare contatti di tipo "Normalmente Aperto".

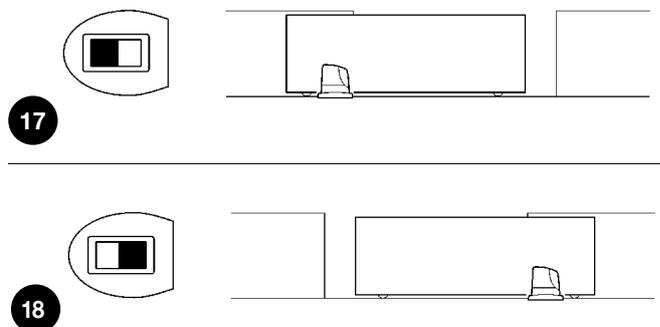
ANTENNA: ingresso di collegamento dell'antenna per ricevitore radio (l'antenna è incorporata su LUCY B).

4) Verifiche finali ed avviamento

Prima di iniziare la fase di verifica ed avviamento dell'automazione è consigliabile porre l'anta a metà corsa circa in modo che sia libera di muovere sia in apertura che in chiusura.

4.1) Selezione della direzione

A seconda della posizione del motoriduttore rispetto all'anta è necessario scegliere la direzione della manovra di apertura; se per l'apertura l'anta deve muovere verso sinistra occorre spostare il selettore verso sinistra come in figura 17, se per l'apertura l'anta deve muovere a destra occorre spostare il selettore a destra come in figura 18.



4.2) Allacciamento dell'alimentazione

⚠ L'allacciamento dell'alimentazione a RUN deve essere eseguito da personale esperto, qualificato, in possesso dei requisiti richiesti e nel pieno rispetto di leggi, norme e regolamenti.

Non appena viene fornita tensione a RUN è consigliabile fare alcune semplici verifiche:

1. Verificare che il led BlueBUS lampeggi regolarmente alla frequenza di un lampeggio al secondo.
2. Verificare che lampeggino anche i led sulle fotocellule (sia su TX che su RX); non è significativo il tipo di lampeggio, dipende da altri fattori.

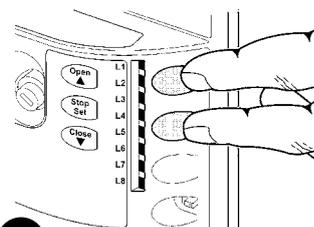
3. Verificare che il lampeggiante collegato all'uscita FLASH e la lampada spia collegata sull'uscita S.C.A. siano spenti. Se tutto questo non avviene occorre spegnere immediatamente l'alimentazione alla centrale e controllare con maggiore attenzione i collegamenti elettrici.

Altre informazioni utili per la ricerca e la diagnosi dei guasti sono presenti nel capitolo "7.6 Risoluzione dei problemi".

4.3) Apprendimento dei dispositivi

Dopo l'allacciamento dell'alimentazione occorre far riconoscere alla centrale i dispositivi collegati sugli ingressi BlueBUS e STOP. Prima di questa fase i led L1 e L2 lampeggiano per indicare che occorre eseguire l'apprendimento dei dispositivi.

1. Premere e tenere premuti i tasti **[▲]** e **[Set]**
2. Rilasciare i tasti quando i led L1 e L2 iniziano a lampeggiare molto velocemente (dopo circa 3s)
3. Attendere alcuni secondi che la centrale finisca l'apprendimento dei dispositivi
4. Al termine dell'apprendimento il led STOP deve rimanere acceso, i led L1 e L2 si spegneranno (eventualmente inizieranno a lampeggiare i led L3 e L4)

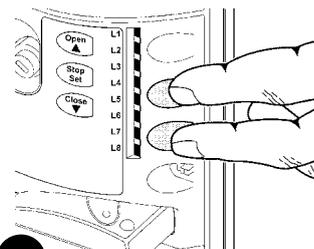


La fase di apprendimento dispositivi collegati può essere rifatta in qualsiasi momento anche dopo l'installazione per esempio se venisse aggiunto un dispositivo; per effettuare il nuovo apprendimento vedere paragrafo "7.3.6 Apprendimento altri dispositivi".

4.4) Apprendimento lunghezza dell'anta

Dopo l'apprendimento dei dispositivi inizieranno a lampeggiare i led L3 e L4; ciò significa che è necessario far riconoscere alla centrale la lunghezza dell'anta (distanza dal finecorsa di chiusura al finecorsa di apertura); questa misura è necessaria per il calcolo dei punti di rallentamento ed il punto di apertura parziale.

1. Premere e tenere premuti i tasti **[▼]** e **[Set]**
2. Rilasciare i tasti quando inizia la manovra (dopo circa 3s)
3. Verificare che la manovra in corso sia una apertura altrimenti premere il tasto **[Stop]** e controllare con maggiore attenzione il paragrafo "4.1 Selezione della direzione"; poi ripetere dal punto 1.
4. Attendere che la centrale completi la manovra di apertura fino al raggiungimento del finecorsa di apertura; subito dopo inizia la manovra di chiusura.
5. Attendere che la centrale completi la manovra di chiusura.



20

Se tutto questo non avviene occorre spegnere immediatamente l'alimentazione alla centrale e controllare con maggiore attenzione i collegamenti elettrici. Altre informazioni utili sono presenti nel capitolo "7.6 Risoluzione dei problemi".

4.5) Verifica del movimento del cancello

Dopo l'apprendimento della lunghezza dell'anta è consigliabile effettuare alcune manovre per verificare il corretto movimento del cancello.

1. Premere il tasto **[Open]** per comandare una manovra di "Aprire"; verificare che l'apertura del cancello avvenga regolarmente senza variazioni di velocità; solo quando l'anta è tra 70 e 50cm dal finecorsa di apertura dovrà rallentare e fermarsi, per intervento del finecorsa, a 2÷3cm dall'arresto meccanico di apertura.
2. Premere il tasto **[Close]** per comandare una manovra di "Chiudere"; verificare che la chiusura del cancello avvenga regolarmente senza variazioni di velocità; solo quando l'anta è tra 70 e 50cm dal finecorsa di chiusura dovrà rallentare e fermarsi, per intervento del finecorsa, a 2÷3cm dall'arresto meccanico di chiusura.
3. Durante le manovre verificare che il lampeggiante effettui i lampeggi con periodi di 0,5s acceso e 0,5s spento. Se presente, controllare anche i lampeggi della spia collegata al morsetto S.C.A.: lampeggio lento in apertura, veloce in chiusura.
4. Effettuare varie manovre di apertura e chiusura con lo scopo di evidenziare eventuali difetti di montaggio e regolazione o altre anomalie come ad esempio punti con maggior attrito.
5. Verificare che il fissaggio del motoriduttore RUN, della cremagliera e delle staffe di finecorsa siano solidi, stabili ed adeguatamente resistenti anche durante le brusche accelerazioni o decelerazioni del movimento del cancello.

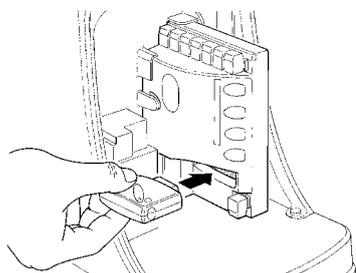
4.6) Funzioni preimpostate

La centrale di controllo di RUN dispone di alcune funzioni programmabili, di fabbrica queste funzioni vengono regolate in una configurazione che dovrebbe soddisfare la maggior parte delle automazioni; comunque le funzioni possono essere cambiate in qualsiasi

momento attraverso una opportuna procedura di programmazione, a questo scopo vedere paragrafo "7.2 Programmazioni".

4.7) Ricevitore radio

Per il comando a distanza di RUN, sulla centrale di controllo è previsto l'innesto SM per ricevitori radio opzionali tipo SMXI o SMXIS. Per inserire il ricevitore radio occorre spegnere l'alimentazione a RUN ed eseguire l'operazione indicata in figura 21. In tabella 6 è descritta l'associazione tra l'uscita dei ricevitori radio SMXI e SMXIS ed il comando che RUN eseguirà:



21

Per ulteriori informazioni, consultare il manuale di istruzioni del ricevitore radio.

Tabella 6: comandi con ricevitore SMXI, SMXIS

Uscita N°1	Comando "P.P." (Passo-Passo)
Uscita N°2	Comando "Apertura parziale"
Uscita N°3	Comando "Aprire"
Uscita N°4	Comando "Chiudere"

5) Collaudo e messa in servizio

Questa è la fase più importante nella realizzazione dell'automazione al fine di garantire la massima sicurezza. Il collaudo può essere usato anche come verifica periodica dei dispositivi che compongono l'automatismo.

⚠ Il collaudo dell'intero impianto deve essere eseguito da personale esperto e qualificato che deve farsi carico delle prove richieste, in funzione del rischio presente e di verificare il rispetto di quanto previsto da leggi, normative e regolamenti, ed in particolare tutti i requisiti della norma EN12445 che stabilisce i metodi di prova per la verifica degli automatismi per cancelli.

5.1) Collaudo

Ogni singolo componente dell'automatismo, ad esempio bordi sensibili, fotocellule, arresto di emergenza, ecc. richiede una specifica fase di collaudo; per questi dispositivi si dovranno eseguire le procedure riportate nei rispettivi manuali istruzioni. Per il collaudo di RUN eseguire la seguente sequenza di operazioni:

1. Verificare che sia stato rispettato rigorosamente tutto quanto previsto nel presente manuale ed in particolare nel capitolo "1 Avvertenze";
2. Sbloccare il motoriduttore come indicato nel paragrafo "Sblocco e movimento manuale" sul capitolo "Istruzioni ed avvertenze destinate all'utilizzatore del motoriduttore RUN".
3. Verificare che sia possibile muovere manualmente l'anta in apertura e in chiusura con una forza non superiore a 390N (circa 40kg).
4. Bloccare il motoriduttore.
5. Utilizzando i dispositivi di comando o arresto previsti (selettore a chiave, pulsanti di comando o trasmettitori radio), effettuare delle

prove di apertura, chiusura ed arresto del cancello e verificare che il comportamento corrisponda a quanto previsto.

6. Verificare uno ad uno il corretto funzionamento di tutti i dispositivi di sicurezza presenti nell'impianto (fotocellule, bordi sensibili, arresto di emergenza, ecc.); e verificare che il comportamento del cancello corrisponda a quanto previsto. Ogni volta che un dispositivo interviene, sulla centrale il led "BlueBUS" deve eseguire 2 lampeggi più veloci a conferma che la centrale riconosce l'evento.
7. Se le situazioni pericolose provocate dal movimento dell'anta sono state salvaguardate mediante la limitazione della forza d'impatto si deve eseguire la misura della forza secondo quanto previsto dalla norma EN 12445. Se la regolazione della "Sensibilità rivelazione ostacoli" ed il controllo della "Coppia Motore" vengono usati come ausilio al sistema per la riduzione della forza d'impatto, provare e trovare le regolazioni che offrono i migliori risultati.

5.2) Messa in servizio

La messa in servizio può avvenire solo dopo aver eseguito con esito positivo tutte le fasi di collaudo di RUN e degli altri dispositivi presenti. E' vietata la messa in servizio parziale o in situazioni "provvisorie".

1. Realizzare e conservare per almeno 10 anni il fascicolo tecnico dell'automazione che dovrà comprendere almeno: disegno complessivo dell'automazione, schema dei collegamenti elettrici, analisi dei rischi e relative soluzioni adottate, dichiarazione di conformità del fabbricante di tutti i dispositivi utilizzati (per RUN utilizzare la Dichiarazione CE di conformità allegata); copia del manuale di istruzioni per l'uso e del piano di manutenzione dell'automazione.
2. Apporre sul cancello una targhetta contenente almeno i seguenti dati: tipo di automazione, nome e indirizzo del costruttore (responsabile della "messa in servizio"), numero di matricola, anno di costruzione e marchio "CE".

3. Fissare in maniera permanente in prossimità del cancello un'etichetta o una targa con indicate le operazioni per lo sblocco e la manovra manuale.
4. Realizzare e consegnare al proprietario la dichiarazione di conformità dell'automazione.
5. Realizzare e consegnare al proprietario il manuale di "Istruzioni ed avvertenze per l'uso dell'automazione".
6. Realizzare e consegnare al proprietario il piano di manutenzione dell'automazione (che deve raccogliere tutte le prescrizioni sulla manutenzione dei singoli dispositivi installati).
7. Prima di mettere in servizio l'automatismo informare adeguatamente ed in forma scritta il proprietario (ad esempio sul manuale di istruzioni ed avvertenze per l'uso dell'automazione) sui pericoli ed i rischi residui ancora presenti.

6) Manutenzione e smaltimento

In questo capitolo sono riportate le informazioni per la realizzazione del piano di manutenzione e lo smaltimento di RUN.

6.1) Manutenzione

Per mantenere costante il livello di sicurezza e per garantire la massima durata dell'intera automazione è necessaria una manutenzione regolare; a tale scopo RUN dispone di un contatore di manovre e un sistema di segnalazione di manutenzione richiesta; vedere paragrafo "7.4.4 Avviso di Manutenzione".

⚠ La manutenzione deve essere effettuata nel pieno rispetto delle prescrizioni sulla sicurezza del presente manuale e secondo quanto previsto dalle leggi e normative vigenti.

Per gli altri dispositivi diversi da RUN seguire quanto previsto nei rispettivi piani manutenzione.

1. Per RUN è necessaria una manutenzione programmata al massimo entro 6 mesi o al massimo dopo 30.000 manovre dalla precedente manutenzione.
2. Scollegare qualsiasi sorgente di alimentazione elettrica.
3. Verificare lo stato di deterioramento di tutti i materiali che compongono l'automazione con particolare attenzione a fenomeni di erosione o di ossidazione delle parti strutturali; sostituire le parti che non forniscono sufficienti garanzie.
4. Verificare lo stato di usura delle parti in movimento: pignone, cremagliera e tutte le parti dell'anta, sostituire le parti usurate.
5. Ricollegare le sorgenti di alimentazione elettrica ed eseguire tutte le prove e le verifiche previste nel paragrafo "5.1 Collaudo".

6.2) Smaltimento

Come per l'installazione, anche al termine della vita di questo prodotto, le operazioni di smantellamento devono essere eseguite da personale qualificato.

Questo prodotto è costituito da vari tipi di materiali, alcuni possono essere riciclati altri devono essere smaltiti; informatevi sui sistemi di riciclaggio o smaltimento previsti dai regolamenti locali per questa categoria di prodotto.

⚠ Alcune parti del prodotto possono contenere sostanze inquinanti o pericolose, se disperse potrebbero provocare effetti dannosi sull'ambiente e sulla salute umana.

Come indicato dal simbolo di figura 22 è vietato gettare questo prodotto nei rifiuti domestici. Eseguire la "raccolta separata" per lo smaltimento secondo i metodi previsti dai regolamenti locali; oppure riconsegnare il prodotto al venditore nel momento dell'acquisto di un nuovo prodotto equivalente.



Regolamenti locali possono prevedere pesanti sanzioni in caso di smaltimento abusivo di questo prodotto.

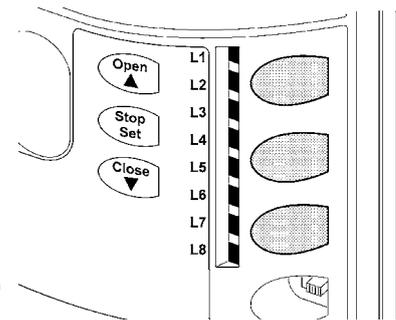
7) Approfondimenti

In questo capitolo verranno trattate le possibilità di programmazione, personalizzazione, diagnostica e ricerca guasti su RUN.

7.1) Tasti di programmazione

Sulla centrale di controllo di RUN sono presenti 3 tasti che possono essere usati sia per il comando della centrale durante le prove sia per le programmazioni:

Open ▲	Il tasto "OPEN" permette di comandare l'apertura del cancello oppure di spostare verso l'alto il punto di programmazione
Stop Set	Il tasto "STOP" permette di fermare la manovra se premuto per più di 5 secondi permette di entrare in programmazione.
Close ▼	Il tasto "CLOSE" permette di comandare la chiusura del cancello oppure di spostare verso il basso il punto di programmazione



23

7.2) Programmazioni

Sulla centrale di controllo di RUN sono disponibili alcune funzioni programmabili; la regolazione delle funzioni avviene attraverso 3 tasti presenti sulla centrale: [▲] [Set] [▼] e vengono visualizzate attraverso 8 led: **L1...L8**.

Le funzioni programmabili disponibili su RUN sono disposte su 2 livelli:

Primo livello: funzioni regolabili in modo ON-OFF (attivo oppure non

attivo); in questo caso ogni led **L1...L8** indica una funzione, se acceso la funzione è attiva, se spento la funzione non è attiva; vedere tabella 7.

Secondo livello: parametri regolabili su una scala di valori (valori da 1 a 8); in questo caso ogni led **L1...L8** indica il valore regolato tra i 8 possibili; vedere tabella 9.

7.2.1) Funzioni primo livello (funzioni ON-OFF)

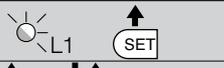
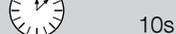
Tabella 7: elenco funzioni programmabili: primo livello

Led	Funzione	Descrizione
L1	Chiusura Automatica	Questa funzione permette una chiusura automatica del cancello dopo il tempo pausa programmato, di fabbrica il Tempo Pausa è posto a 30 secondi ma può essere modificato a 5, 15, 30, 45, 60, 80, 120 e 180 secondi. Se la funzione non è attivata, il funzionamento è "semiautomatico".
L2	Richiudi Dopo Foto	Questa funzione permette di tenere il cancello aperto solo per il tempo necessario al transito, infatti l'intervento di "Foto" provoca sempre una richiusura automatica con un tempo pausa di 5s (indipendentemente dal valore programmato) Il comportamento cambia a seconda che sia attiva o meno la funzione di "Chiusura Automatica". Con "Chiusura Automatica" non attiva: Il cancello raggiunge sempre la posizione di totale apertura (anche se il disimpegno di Foto avviene prima). Al disimpegno di Foto si provoca la richiusura automatica con una pausa di 5s. Con "Chiusura Automatica" attiva: la manovra di apertura si arresta subito dopo il disimpegno delle fotocellule e si provoca la richiusura automatica con una pausa di 5s. La funzione di "Richiudi Dopo Foto" viene sempre disabilitata nelle manovre interrotte con un comando di Stop. Se la funzione "Richiudi Dopo Foto" non è attiva il tempo di pausa sarà quello programmato o non ci sarà richiusura automatica se la funzione non è attiva.
L3	Chiude Sempre	La funzione "Chiude Sempre" interviene, provocando una chiusura, quando al ritorno dell'alimentazione viene rilevato il cancello aperto. Per questioni di sicurezza la manovra viene preceduta da 5s di prelampeggio. Se la funzione non è attiva, al ritorno dell'alimentazione il cancello rimarrà fermo.
L4	Rallentamento	Attivando questa funzione, viene inserita una fase di rallentamento alla fine delle manovre di apertura e di chiusura. La velocità di rallentamento corrisponde a circa il 60% della velocità nominale. Attenzione: durante il rallentamento il motore sviluppa solo metà della coppia nominale; non sarà possibile utilizzare il rallentamento su cancelli pesanti o che richiedono il massimo della coppia. Se il rallentamento non è attivo la velocità rimarrà costante per tutta la manovra.
L5	Spunto	Attivando questa funzione, viene disinserita l'accelerazione graduale ad ogni inizio manovra; permette di avere la massima forza di spunto ed è utile dove ci sono elevati attriti statici, ad esempio in caso di neve o ghiaccio che bloccano l'anta. Se lo spunto non è attivo la manovra inizia con una accelerazione graduale.
L6	Prelampeggio	Con la funzione di prelampeggio viene aggiunta una pausa di 3s tra l'accensione del lampeggiante e l'inizio della manovra per avvertire in anticipo della situazione di pericolo. Se il prelampeggio non è attivo l'accensione del lampeggiante coincide con l'inizio manovra.
L7	"Chiude" diventa "Apre Parziale"	Attivando questa funzione tutti i comandi "chiude" (ingresso "CLOSE" o comando radio "chiude") attivano una manovra di apertura parziale (vedere led L6 su tabella 9).
L8	Modo "Slave" (schiavo)	Attivando questa funzione RUN diventa "Slave" (schiavo): è possibile, così, sincronizzare il funzionamento di 2 motori su ante contrapposte nelle quali un motore funziona da Master e uno da Slave; per maggiori dettagli vedere il paragrafo "7.3.5 RUN in modalità "Slave".

Durante il funzionamento normale di RUN i led **L1...L8** sono accesi o spenti in base allo stato della funzione che rappresentano, ad esempio **L1** è acceso se è attiva la "Chiusura automatica".

7.2.2 Programmazione primo livello (funzioni ON-OFF)

Di fabbrica le funzioni del primo livello sono poste tutte "OFF" ma si possono cambiare in qualsiasi momento come indicato in tabella 8. Fare attenzione nell'eseguire la procedura perché c'è un tempo massimo di 10s tra la pressione di un tasto e l'altro, altrimenti la procedura finisce automaticamente memorizzando le modifiche fatte fino a quel momento.

Tabella 8: per cambiare le funzioni ON-OFF		Esempio
1.	Premere e tener premuto il tasto [Set] per circa 3s	
2.	Rilasciare il tasto [Set] quando il led L1 inizia a lampeggiare	
3.	Premere i tasti [▲] o [▼] per spostare il led lampeggiante sul led che rappresenta la funzione da modificare	
4.	Premere il tasto [Set] per cambiare lo stato della funzione (lampeggio breve = OFF; lampeggio lungo = ON)	
5.	Attendere 10s per uscire dalla programmazione per fine tempo massimo.	

Nota: i punti 3 e 4 possono essere ripetuti durante le stessa fase di programmazione per porre ON o OFF altre funzioni.

7.2.3 Funzioni secondo livello (parametri regolabili)

Tabella 9: elenco funzioni programmabili: secondo livello				
Led di entrata	Parametro	Led (livello)	Valore	Descrizione
L1	Tempo Pausa	L1	5 secondi	Regola il tempo di pausa cioè il tempo prima della richiusura automatica. Ha effetto solo se la chiusura automatica è attiva.
		L2	15 secondi	
		L3	30 secondi	
		L4	45 secondi	
		L5	60 secondi	
		L6	80 secondi	
		L7	120 secondi	
		L8	180 secondi	
L2	Funzione P.P.	L1	Apri - stop - chiude - stop	Regola la sequenza di comandi associati all'ingresso P.P. oppure al 1° comando radio.
		L2	Apri - stop - chiude - apri	
		L3	Apri - chiude - apri - chiude	
		L4	Condominiale	
		L5	Condominiale 2 (più di 2" fa stop)	
		L6	Passo-Passo 2 (meno di 2" fa apri parziale)	
		L7	Uomo presente	
		L8	Apertura in "semiautomatico", chiusura a "uomo presente"	
L3	Sensibilità rilevazione ostacoli	L1	Sensibilità altissima (cancelli leggeri)	Regola la sensibilità della rilevazione degli ostacoli. Fare attenzione che la sensibilità è influenzata anche dalla forza del motore (vedere L5); la forza del motore va sempre regolata per prima; solo dopo si potrà regolare la sensibilità alla rivelazione ostacoli
		L2	Sensibilità molto alta	
		L3	Sensibilità alta	
		L4	Sensibilità media	
		L5	Sensibilità medio bassa	
		L6	Sensibilità bassa	
		L7	Sensibilità molto bassa	
		L8	Sensibilità bassissima (cancelli pesanti)	
L4	Uscita S.C.A.	L1	Funzione "Spia Cannello Aperto"	Regola la funzione associata all'uscita S.C.A. (qualunque sia la funzione associata l'uscita, quando attiva, fornisce una tensione di 24V -30 +50% con una potenza massima di 4W).
		L2	Attiva se anta chiusa	
		L3	Attiva se anta aperta	
		L4	Attiva con uscita radio N°2	
		L5	Attiva con uscita radio N°3	
		L6	Attiva con uscita radio N°4	
		L7	Spia manutenzione	
		L8	Elettroserratura	
L5	Controllo coppia motore	L1	Fisso a 40%	Dopo l'avvio del motore regola la forza per adeguarla al peso del cancello. Il sistema di controllo misura anche la temperatura ambientale aumentando automaticamente la forza in caso di temperature particolarmente basse.
		L2	Fisso a 50%	
		L3	Fisso a 60%	
		L4	Fisso a 80%	
		L5	Fisso a 100%	
		L6	Semiautomatico 1=40÷100% (1)	
		L7	Semiautomatico 2=60÷100%(1)	
		L8	Automatico = 0÷100% (2)	

Led di entrata	Parametro	Led (livello)	Valore	Descrizione
L6	Apre Parziale	L1	0,5 mt	Regola la misura dell'apertura parziale. L'apertura parziale si può comandare col 2° comando radio oppure con "CHIUDE" se c'è la funzione "Chiude" diventa "Apre Parziale".
		L2	1 mt	
		L3	1,5 mt	
		L4	2 mt	
		L5	2,5 mt	
		L6	3 mt	
		L7	3,4 mt	
		L8	4 mt	
L7	Avviso di manutenzione	L1	Automatico (in base alla gravosità delle manovre)	Regola il numero di manovre dopo il quale segnalare la richiesta di manutenzione dell'automazione (vedere paragrafo "7.4.4 Avviso di Manutenzione").
		L2	2.000	
		L3	4.000	
		L4	7.000	
		L5	10.000	
		L6	15.000	
		L7	20.000	
		L8	30.000	
L8	Elenco anomalie	L1	Esito 1ª manovra (la più recente)	Permette di verificare il tipo di anomalia intervenuta nelle ultime 8 manovre (vedere paragrafo "7.6.1 Storico anomalie").
		L2	Esito 2ª manovra	
		L3	Esito 3ª manovra	
		L4	Esito 4ª manovra	
		L5	Esito 5ª manovra	
		L6	Esito 6ª manovra	
		L7	Esito 7ª manovra	
		L8	Esito 8ª manovra	

Nota: "■" rappresenta la regolazione di fabbrica

Nota (1): Regola automaticamente la forza necessaria mantenendo un livello minimo di forza garantita.

Nota (2): Regola automaticamente la forza necessaria.

Tutti i parametri possono essere regolati a piacere senza nessuna controindicazione; solo le regolazioni di "Sensibilità alla rivelazione ostacoli" e il "Controllo forza motore" potrebbero richiedere una attenzione particolare:

- E' sconsigliato utilizzare valori alti di forza per compensare il fatto che l'anta abbia dei punti di attrito anomali; una forza eccessiva può pregiudicare il funzionamento del sistema di sicurezza o danneggiare l'anta.
- Se il controllo della "Sensibilità alla rivelazione ostacoli" viene usato come ausilio al sistema per la riduzione della forza di impatto, dopo ogni regolazione ripetere la misura della forza, come previsto dalla norma EN 12445.
- L'usura e le condizioni atmosferiche influiscono sul movimento del cancello, periodicamente e necessario ricontrollare la regolazione della forza.

7.2.4) Programmazione secondo livello (parametri regolabili)

Di fabbrica i parametri regolabili sono posti come evidenziato in tabella 9 con: "■" ma si possono cambiare in qualsiasi momento come indicato in tabella N°10. Fare attenzione nell'eseguire la procedura perché c'è un tempo massimo di 10s tra la pressione di un tasto e l'altro, altrimenti la procedura finisce automaticamente memorizzando le modifiche fatte fino a quel momento.

Tabella 10: per cambiare i parametri regolabili	Esempio
1. Premere e tener premuto il tasto [Set] per circa 3s	 3s
2. Rilasciare il tasto [Set] quando il led L1 inizia a lampeggiare	
3. Premere i tasti [▲] o [▼] per spostare il led lampeggiante sul "led di entrata" che rappresenta il parametro da modificare	
4. Premere e mantenere premuto il tasto [Set] , il tasto [Set] va mantenuto premuto durante tutti i passi 5 e 6	
5. Attendere circa 3s dopodiché si accenderà il led che rappresenta il livello attuale del parametro da modificare	
6. Premere i tasti [▲] o [▼] per spostare il led che rappresenta il valore del parametro.	
7. Rilasciare il tasto [Set]	
8. Attendere 10s per uscire dalla programmazione per fine tempo massimo.	 10s

Nota: i punti da 3 a 7 possono essere ripetuti durante la stessa fase di programmazione per regolare più parametri

7.2.5 Esempio di programmazione primo livello (funzioni ON-OFF)

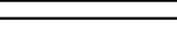
Come esempio viene riportata la sequenza di operazioni per cambiare l'impostazione di fabbrica delle funzioni di "Chiusura Automatica" (L1) e "Chiude Sempre" (L3).

Tabella 11: esempio di programmazione primo livello	Esempio
1. Premere e tener premuto il tasto [Set] per circa 3s	
2. Rilasciare il tasto [Set] quando il led L1 inizia a lampeggiare	
3. Premere una volta il tasto [Set] per cambiare lo stato della funzione associata ad L1 (Chiusura Automatica) ora il led L1 lampeggia con lampeggio lungo	
4. Premere 2 volte il tasto [▼] per spostare il led lampeggiante sul led L3	
5. Premere una volta il tasto [Set] per cambiare lo stato della funzione associata ad L3 (Chiude Sempre) ora il led L3 lampeggia con lampeggio lungo	
6. Attendere 10s per uscire dalla programmazione per fine tempo massimo	

Al termine di queste operazioni i led L1 ed L3 devono rimanere accesi ad indicare che sono attive le funzioni di "Chiusura Automatica" e "Chiude Sempre".

7.2.6 Esempio di programmazione secondo livello (parametri regolabili)

Come esempio viene riportata la sequenza di operazioni per cambiare l'impostazione di fabbrica dei parametri ed aumentare il "Tempo Pausa" a 60s (entrata su L1 e livello su L5) e ridurre il "Controllo coppia" al 60% (entrata su L5 e livello su L3).

Tabella 12: esempio di programmazione secondo livello	Esempio
1. Premere e tener premuto il tasto [Set] per circa 3s	
2. Rilasciare il tasto [Set] quando il led L1 inizia a lampeggiare	
3. Premere e mantenere premuto il tasto [Set] ; il tasto [Set] va mantenuto premuto durante tutti i passi 4 e 5	
4. Attendere circa 3s fino a che si accenderà il led L3 che rappresenta il livello attuale del "Tempo Pausa"	
5. Premere 2 volte il tasto [▼] per spostare il led acceso su L5 che rappresenta il nuovo valore del "Tempo Pausa"	
6. Rilasciare il tasto [Set]	
7. Premere 4 volte il tasto [▼] per spostare il led lampeggiante sul led L5	
8. Premere e mantenere premuto il tasto [Set] ; il tasto [Set] va mantenuto premuto durante tutti i passi 9 e 10	
9. Attendere circa 3s fino a che si accenderà il led L5 che rappresenta il livello attuale del controllo "Coppia Motore"	
10. Premere 2 volte il tasto [▲] per spostare il led acceso su L3 che rappresenta il nuovo valore del Controllo "Coppia Motore"	
11. Rilasciare il tasto [Set]	
12. Attendere 10s per uscire dalla programmazione per fine tempo massimo	

7.3 Aggiunta o rimozione dispositivi

Ad una automazione con RUN è possibile aggiungere o rimuovere dispositivi in qualsiasi momento. In particolare a "BlueBUS" ed all'ingresso "STOP" possono essere collegati vari tipi di dispositivi come indicato nei paragrafi seguenti.

Dopo aver aggiunto o rimosso dei dispositivi è necessario rifare l'apprendimento dei dispositivi come descritto nel paragrafo "7.3.6 Apprendimento altri dispositivi".

7.3.1) BlueBUS

BlueBUS è una tecnica che permette di effettuare i collegamenti dei dispositivi compatibili con soli due conduttori sui quali transita sia l'alimentazione elettrica che i segnali di comunicazione. Tutti i dispositivi vengono collegati in parallelo sugli stessi 2 conduttori di BlueBUS e senza necessità di rispettare alcuna polarità; ogni dispositivo viene riconosciuto singolarmente poiché durante l'installazione gli viene assegnato un indirizzo univoco. A BlueBUS si possono collegare ad esempio: fotocellule, dispositivi di sicurezza, pulsanti di comando,

spie di segnalazione ecc. La centrale di controllo di RUN riconosce uno ad uno tutti i dispositivi collegati attraverso un'opportuna fase di apprendimento ed è in grado di rilevare con estrema sicurezza tutte le possibili anomalie. Per questo motivo ogni volta che viene aggiunto o tolto un dispositivo collegato a BlueBUS occorrerà eseguire, nella centrale, la fase di apprendimento come descritto nel paragrafo "7.3.6 Apprendimento altri dispositivi".

7.3.2) Ingresso STOP

STOP è l'ingresso che provoca l'arresto immediato della manovra seguito da una breve inversione. A questo ingresso possono essere collegati dispositivi con uscita a contatto normalmente aperto "NA", normalmente chiuso "NC" oppure dispositivi con uscita a resistenza costante 8,2kΩ, ad esempio bordi sensibili.

Come per BlueBUS, la centrale riconosce il tipo di dispositivo collegato all'ingresso STOP durante la fase di apprendimento (vedere paragrafo "7.3.6 Apprendimento altri dispositivi"); successivamente viene provocato uno STOP quando si verifica una qualsiasi variazione rispetto allo stato appreso.

Con opportuni accorgimenti è possibile collegare all'ingresso STOP più di un dispositivo, anche di tipo diverso:

- Più dispositivi NA si possono collegare in parallelo tra di loro senza alcun limite di quantità.
- Più dispositivi NC si possono collegare in serie tra di loro senza alcun limite di quantità.

- Due dispositivi con uscita a resistenza costante 8,2kΩ si possono collegare in parallelo; se vi sono più di 2 dispositivi allora tutti devono essere collegati "in cascata" con una sola resistenza di terminazione da 8,2kΩ.
- E' possibile la combinazione di NA ed NC ponendo i 2 contatti in parallelo con l'avvertenza di porre in serie al contatto NC una resistenza da 8,2kΩ (ciò rende possibile anche la combinazione di 3 dispositivi: NA, NC e 8,2kΩ).

⚠ Se l'ingresso STOP è usato per collegare dispositivi con funzioni di sicurezza; solo i dispositivi con uscita a resistenza costante 8,2kΩ garantiscono la categoria 3 di sicurezza ai guasti secondo la norma EN 954-1.

7.3.3) Fotocellule

Il sistema "BlueBUS" consente, tramite l'indirizzamento con gli appositi ponticelli, il riconoscimento delle fotocellule da parte della centrale e di assegnare la corretta funzione di rilevazione. L'operazione di indirizzamento va fatta sia sul TX che sul RX (ponendo i ponticelli nello stesso modo) verificando che non vi siano altre coppie di fotocellule con lo stesso indirizzo.

In un automatismo per cancelli scorrevoli con RUN è possibile installare le fotocellule secondo quanto rappresentato in figura 24.

Dopo l'installazione o la rimozione di fotocellule occorrerà eseguire nella centrale la fase di apprendimento come descritto nel paragrafo "7.3.6 Apprendimento altri dispositivi".

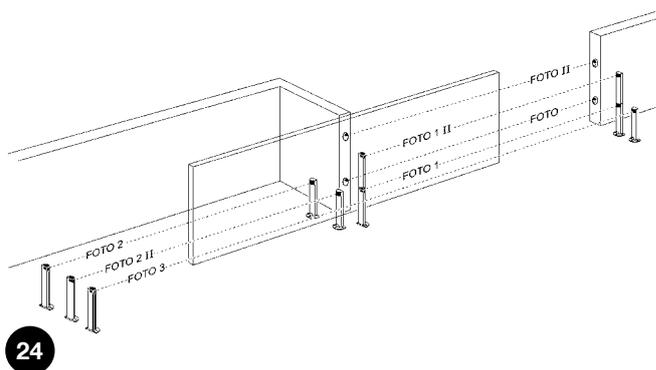


Tabella 13: indirizzi delle fotocellule

Fotocellula	Ponticelli	Fotocellula	Ponticelli
FOTO Fotocellula esterna h = 50 con intervento in chiusura		FOTO 2 Fotocellula esterna con intervento in apertura	
FOTO II Fotocellula esterna h = 100 con intervento in chiusura		FOTO 2 II Fotocellula interna con intervento in apertura	
FOTO 1 Fotocellula interna h = 50 con intervento in chiusura		FOTO 3 Fotocellula unica che copre tutto l'automatismo	
FOTO 1 II Fotocellula interna h = 100 con intervento in chiusura		⚠ L'installazione di FOTO 3 assieme a FOTO II richiede che la posizione degli elementi che compongono la fotocellula (TX - RX) rispetti l'avvertenza riportata nel manuale di istruzioni delle fotocellule.	

7.3.4) Fotosensore FT210B

Il fotosensore FT210B unisce in un unico dispositivo un sistema di limitazione della forza (tipo C secondo la norma EN12453) ed un rilevatore di presenza che rileva ostacoli presenti sull'asse ottico tra trasmettitore TX e ricevitore RX (tipo D secondo la norma EN12453). Nel fotosensore FT210B i segnali dello stato del bordo sensibile vengono inviati attraverso il raggio della fotocellula integrando i 2 sistemi in un unico dispositivo. La parte trasmittente posta sull'anta mobile è alimentata con batterie eliminando così gli antiestetici sistemi di collegamento; speciali circuiti riducono il consumo della batteria per garantire una durata fino a 15 anni (vedere i dettagli della stima nelle istruzioni del prodotto).

Un solo dispositivo FT210B abbinato ad un bordo sensibile (esempio TCB65) permette di raggiungere il livello di sicurezza del "bordo primario" richiesto dalla norma EN12453 per qualsiasi "tipo di utilizzo" e "tipo di attivazione".

Il fotosensore FT210B abbinato a bordi sensibili "resistivi" (8,2Kohm), è sicuro al guasto singolo (categoria 3 secondo EN 954-1). Dispone di uno speciale circuito anticollisione che evita interferenze con altri rilevatori anche se non sincronizzati e permette di aggiungere altre fotocellule; ad esempio, nel caso di transito di veicoli pesanti dove normalmente si pone una seconda fotocellula a 1m da terra.

Per ulteriori informazioni sulle modalità di collegamento e indirizzamento vedere il manuale di istruzioni di FT210B.

7.3.5) RUN in modalità "Slave"

Programmando e collegando opportunamente, RUN può funzionare in modalità "Slave" (schiavo); questa modalità di funzionamento viene utilizzata nel caso serva automatizzare 2 ante contrapposte e si desidera che i movimenti delle ante avvengano in modo sincronizzato. In questa modalità un RUN funziona come Master (maestro) cioè comanda le manovre, mentre il secondo RUN funziona come Slave, cioè esegue i comandi inviati dal Master (di fabbrica tutti i RUN sono Master).

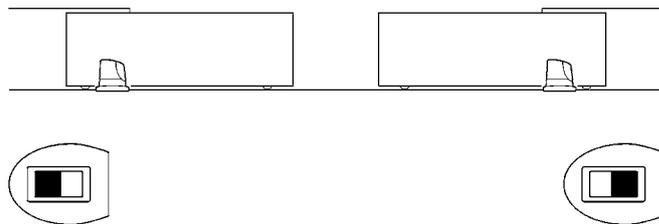
Per configurare RUN come Slave bisogna attivare la funzione di primo livello "Modo Slave" (vedere tabella 7).

Il collegamento tra il RUN Master e RUN Slave avviene tramite BlueBUS.

⚠ In questo caso deve essere rispettata la polarità nel collegamento fra i due RUN come illustrato in figura 26 (gli altri dispositivi continuano a non avere polarità) .

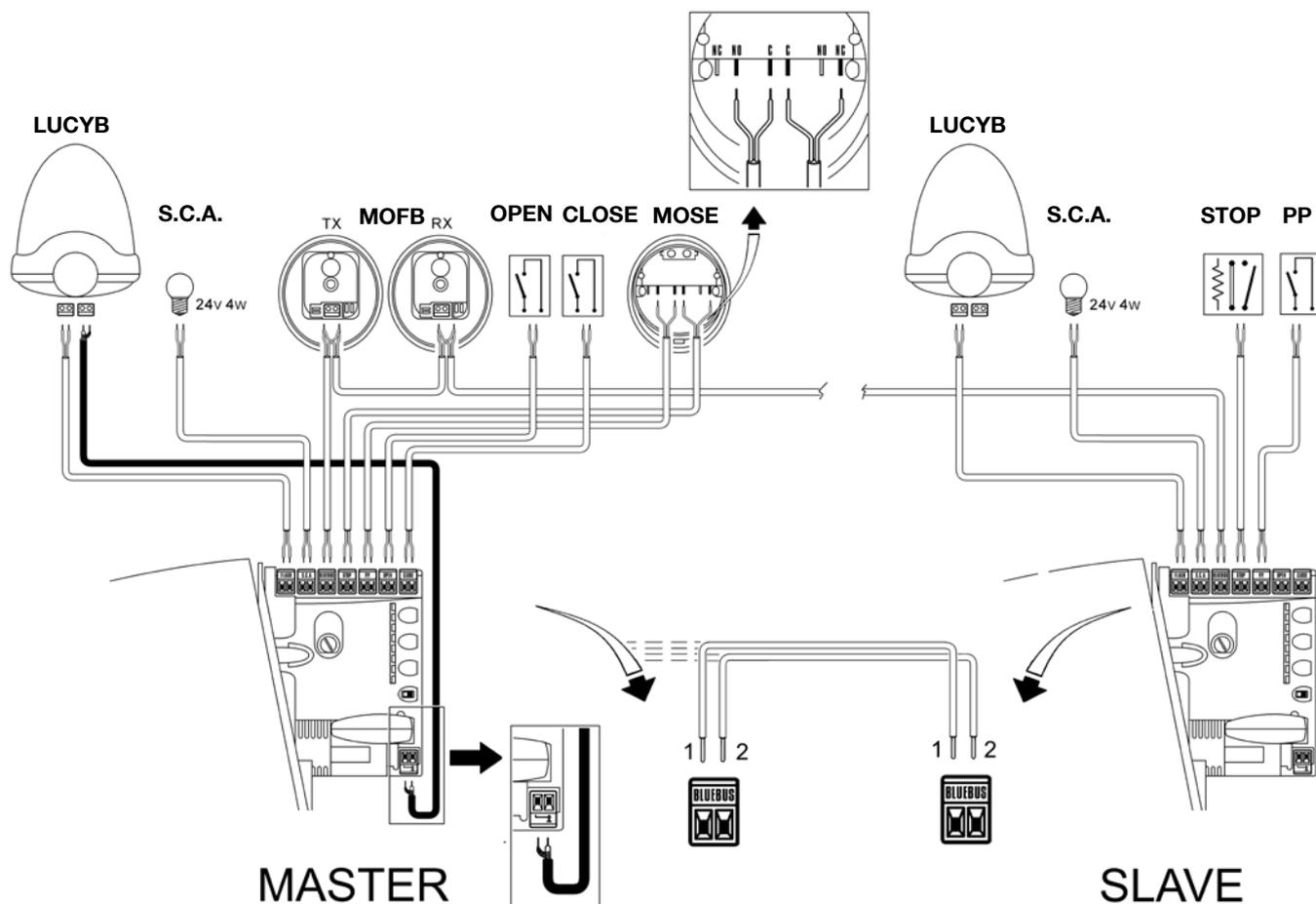
Per installare 2 RUN in modalità Master e Slave eseguire le seguenti operazioni:

- Effettuare l'installazione dei 2 motori come illustrato in figura 25. È indifferente quale motore funziona come Master e quale come Slave; nella scelta occorre valutare la comodità dei collegamenti ed il fatto che il comando Passo-Passo sullo Slave consente l'apertura totale solo dell'anta Slave.



25

- Collegare i 2 motori come in figura 26.
- Selezionare la direzione della manovra di apertura dei 2 motori come indicato nel paragrafo "4.1 Selezione della direzione".
- Alimentare i 2 motori.
- Nel RUN Slave programmare la funzione "Modo Slave" (vedere tabella 7).
- Eseguire l'acquisizione dispositivi sul RUN Slave (vedere paragrafo "4.3 Apprendimento dei dispositivi").
- Eseguire l'acquisizione dispositivi sul RUN Master (vedere paragrafo "4.3 Apprendimento dei dispositivi").
- Eseguire l'acquisizione della lunghezza delle ante sul RUN Master (vedere paragrafo "4.4 Apprendimento lunghezza dell'anta").



26

Nel collegamento di 2 RUN in modalità Master-Slave porre attenzione che:

- Tutti i dispositivi devono essere collegati su RUN Master (come in fig. 26) compreso il ricevitore radio
- Tutte le programmazioni sul RUN Slave vengono ignorate (prevalgono quelle di RUN Master) ad esclusione di quelle riportate in tabella 14.

Tabella 14: programmazioni su RUN Slave indipendenti da RUN Master

Funzioni di primo livello (funzioni ON – OFF)	Funzioni di secondo livello (parametri regolabili)
Stand-by	Sensibilità rilevazione ostacoli
Spunto	Uscita SCA
Modo Slave	Controllo coppia motore
	Elenco anomalie

Nello Slave è possibile collegare:

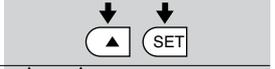
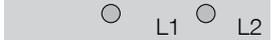
- un proprio lampeggiante (Flash)
- una propria Spia Cancellato Aperto (S.C.A.)
- un proprio bordo sensibile (Stop)

- un proprio dispositivo di comando (P.P.) che comanda l'apertura totale solo dell'anta Slave.
- Nello Slave gli ingressi Open e Close non vengono utilizzati.

7.3.6) Apprendimento altri dispositivi

Normalmente l'operazione di apprendimento dei dispositivi collegati a BlueBUS ed all'ingresso STOP viene eseguita durante la fase di installazione; tuttavia se vengono aggiunti o rimossi dispositivi è possibile rifare l'apprendimento come riportato in tabella 15.

Tabella 15: per l'apprendimento di altri dispositivi

	Esempio
1. Premere e tenere premuti i tasti [▲] e [Set]	
2. Rilasciare i tasti quando i led L1 e L2 iniziano a lampeggiare molto velocemente (dopo circa 3s)	
3. Attendere alcuni secondi che la centrale finisca l'apprendimento dei dispositivi	
4. Al termine dell'apprendimento i led L1 e L2 smetteranno di lampeggiare, il led STOP deve rimanere acceso, mentre i led L1...L8 si accenderanno in base allo stato delle funzioni ON-OFF che rappresentano.	

⚠ Dopo aver aggiunto o rimosso dei dispositivi è necessario eseguire nuovamente il collaudo dell'automazione secondo quanto indicato nel paragrafo "5.1 Collaudo".

7.4) Funzioni particolari

7.4.1) Funzione "Apri sempre"

La funzione "Apri sempre" è una proprietà della centrale di controllo che permette di comandare sempre una manovra di apertura quando il comando di "Passo-Passo" ha una durata superiore a 2 secondi; ciò è utile ad esempio per collegare al morsetto P.P. il contatto di un orologio

programmatore per mantenere aperto il cancello per una certa fascia oraria. Questa proprietà è valida qualunque sia la programmazione dell'ingresso di P.P. ad esclusione della programmazione come "Condominiale 2", vedere parametro "Funzione P.P." in tabella 9.

7.4.2) Funzione "Muovi comunque"

Nel caso in cui qualche dispositivo di sicurezza non dovesse funzionare correttamente o fosse fuori uso, è possibile comunque comandare e muovere il cancello in modalità "Uomo presente".

Per i dettagli vedere il paragrafo "Comando con sicurezze fuori uso" presente nell'allegato "Istruzioni ed avvertenze destinate all'utilizzatore del motoriduttore RUN".

7.4.3) Sistema di controllo del riscaldamento e raffreddamento

RUN dispone di un sofisticato sistema di controllo della temperatura del motore. Il valore della temperatura interna a RUN viene rilevata con uno specifico sensore ed utilizzato per la gestione del sistema di climatizzazione in grado di riscaldare il motore quando la temperatura

esterna scende sotto la soglia di circa 0°C (se la funzione di "Riscaldamento" è stata attivata attraverso l'unità di programmazione remota "OperaView"); oppure di accelerare il raffreddamento del motore quando la temperatura supera circa i 40°C

7.4.4) Avviso di manutenzione

RUN consente di avvisare l'utente quando eseguire un controllo di manutenzione dell'automazione. Il numero di manovre dopo il quale avviene la segnalazione è selezionabile tra 8 livelli, mediante il parametro regolabile "Avviso di manutenzione" (vedere tabella 9).

Il livello 1 di regolazione è "automatico" e tiene conto della gravosità delle manovre, cioè dello sforzo e della durata della manovra, mentre le altre regolazioni sono fissate in base al numero delle manovre.

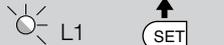
La segnalazione di richiesta di manutenzione avviene attraverso il lampeggiante Flash oppure sulla lampada collegata all'uscita S.C.A. quando è programmata come "Spia Manutenzione" (vedere tabella 9). In base al numero di manovre eseguite rispetto al limite programmato il lampeggiante Flash e la spia manutenzione danno le segnalazioni riportate in tabella 16.

Tabella 16: avviso di manutenzione con Flash e spia manutenzione

Numero manovre	Segnalazione su Flash	Segnalazione si spia manutenzione
Inferiore a 80% del limite	Normale (0.5s acceso, 0.5s spento)	Accesa per 2s ad inizio apertura
Tra 81 e 100% del limite	A inizio manovra rimane acceso per 2s poi prosegue normalmente	Lampeggia durante tutta la manovra
Oltre il 100% del limite	Ad inizio e fine manovra rimane acceso per 2s poi prosegue normalmente	Lampeggia sempre.

Verifica del numero di manovre effettuate

Con la funzione di "Avviso di manutenzione" è possibile verificare il numero di manovre eseguite in percentuale sul limite impostato. Per la verifica procedere come descritto in tabella 17.

Tabella 17: verifica del numero di manovre effettuate	Esempio
1. Premere e tener premuto il tasto [Set] per circa 3s	
2. Rilasciare il tasto [Set] quando il led L1 inizia a lampeggiare	
3. Premere i tasti [▲] o [▼] per spostare il led lampeggiante sul L7, cioè il "led di entrata" per il parametro "Avviso si manutenzione"	
4. Premere e mantenere premuto il tasto [Set] , il tasto [Set] va mantenuto premuto durante tutti i passi 5, 6 e 7	
5. Attendere circa 3s dopodiché si accenderà il led che rappresenta il livello attuale del parametro "Avviso si manutenzione"	
6. Premere e subito rilasciare i tasti [▲] e [▼] .	
7. Il led corrispondente al livello selezionato farà alcuni lampeggi. Il numero di lampeggi identifica la percentuale di manovre effettuate (in multipli di 10%) rispetto al limite impostato. Ad esempio: con impostato l'avviso di manutenzione su L5 cioè 10000, il 10% corrisponde a 1000 manovre; se il led di visualizzazione fa 4 lampeggi, significa che è stato raggiunto il 40% delle manovre (cioè tra 4000 e 4999 manovre). Se non è stato raggiunto il 10% delle manovre non ci sarà nessun lampeggio.	
8. Rilasciare il tasto [Set]	

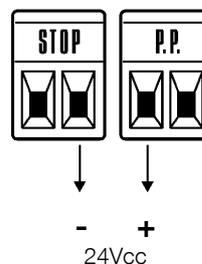
Azzeramento contatore manovre

Dopo aver eseguito la manutenzione dell'impianto è necessario azzerare il contatore delle manovre. Procedere come descritto in tabella 18.

Tabella 18: azzeramento contatore manovre	Esempio
1. Premere e tener premuto il tasto [Set] per circa 3s	
2. Rilasciare il tasto [Set] quando il led L1 inizia a lampeggiare	
3. Premere i tasti [▲] o [▼] per spostare il led lampeggiante sul L7, cioè il "led di entrata" per il parametro "Avviso si manutenzione"	
4. Premere e mantenere premuto il tasto [Set] , il tasto [Set] va mantenuto premuto durante tutti i passi 5, e 6	
5. Attendere circa 3s dopodiché si accenderà il led che rappresenta il livello attuale del parametro "Avviso si manutenzione"	
6. Premere e tenere premuto per almeno 5 secondi i tasti [▲] e [▼] , quindi rilasciare i 2 tasti. Il led corrispondente al livello selezionato eseguirà una serie di lampeggi veloci per segnalare che il contatore delle manovre è stato azzerato.	
7. Rilasciare il tasto [Set]	

7.5) Collegamento altri dispositivi

Se vi fosse l'esigenza di alimentare dispositivi esterni ad esempio un lettore di prossimità per tessere a transponder oppure la luce d'illuminazione del selettore a chiave è possibile prelevare l'alimentazione come indicato in figura 27. La tensione di alimentazione è 24Vcc -30% ÷ +50% con corrente massima disponibile di 100mA.



7.6) Risoluzione dei problemi

Nella tabella 19 è possibile trovare utili indicazioni per affrontare gli eventuali casi di malfunzionamento in cui è possibile incorrere durante l'installazione o in caso di guasto.

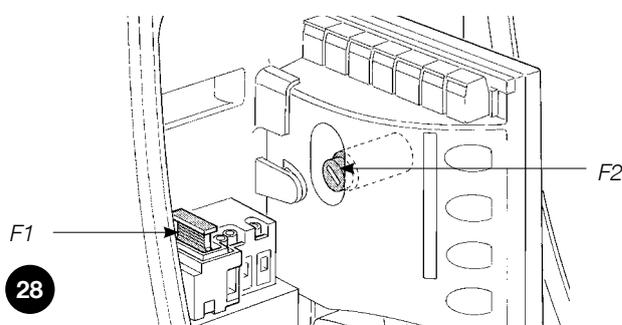


Tabella 19: ricerca guasti

Sintomi	Verifiche consigliate
Il trasmettitore radio non comanda il cancello ed il led sul trasmettitore non si accende	Verificare che le pile del trasmettitore non siano scariche, eventualmente sostituirle
Il trasmettitore radio non comanda il cancello ma il led sul trasmettitore si accende	Verificare se il trasmettitore è correttamente memorizzato nel ricevitore radio
Non si comanda nessuna manovra ed il led "BlueBUS" non lampeggia	Verificare che RUN sia alimentato con la tensione di rete. Verificare che i fusibili non siano interrotti; in questo caso, verificare la causa del guasto e poi sostituirli con altri dello stesso valore di corrente e caratteristiche.
Non si comanda nessuna manovra ed il lampeggiante è spento	Verificare che il comando venga effettivamente ricevuto. Se il comando giunge sull'ingresso PP il relativo led "PP" deve accendersi; se invece viene utilizzato il trasmettitore radio, il led "BlueBus" deve fare due lampeggi veloci.
Non si comanda nessuna manovra ed il lampeggiante fa alcuni lampeggi	Contare il numero di lampeggi e verificare secondo quanto riportato in tabella 21
La manovra ha inizio ma subito dopo avviene l'inversione	La sensibilità rivelazione ostacoli selezionata potrebbe essere troppo alta per il tipo di cancello. Verificare se ci sono degli ostacoli ed eventualmente selezionare una sensibilità inferiore.
La manovra viene eseguita regolarmente ma il lampeggiante non funziona	Verificare che durante la manovra vi sia tensione sul morsetto FLASH del lampeggiante (essendo intermittente il valore di tensione non è significativo: circa 10-30Vcc); se c'è tensione, il problema è dovuto alla lampada che dovrà essere sostituita con una di uguali caratteristiche; se non c'è tensione, potrebbe essersi verificato un sovraccarico sull'uscita FLASH, verificare che non vi sia corto circuito sul cavo.
La manovra viene eseguita regolarmente ma la spia SCA non funziona	Verificare il tipo di funzione programmata per l'uscita SCA (L4 su Tabella 9) Quando la spia dovrebbe essere accesa, verificare vi sia tensione sul morsetto SCA (circa 24Vcc); se c'è tensione, il problema è dovuto alla spia che dovrà essere sostituita con una di uguali caratteristiche; se non c'è tensione, potrebbe essersi verificato un sovraccarico sull'uscita SCA. verificare che non vi sia corto circuito sul cavo.

7.6.1) Elenco storico anomalie

RUN permette di visualizzare le eventuali anomalie che si sono verificate nelle ultime 8 manovre, ad esempio l'interruzione di una manovra per l'intervento di una fotocellula o di un bordo sensibile. Per verificare l'elenco delle anomalie precedere come in tabella 20.

Tabella 20: storico anomalie

	Esempio
1. Premere e tener premuto il tasto [Set] per circa 3s	 3s
2. Rilasciare il tasto [Set] quando il led L1 inizia a lampeggiare	
3. Premere i tasti [▲] o [▼] per spostare il led lampeggiante sul L8, cioè il "led di entrata" per il parametro "Elenco anomalie"	
4. Premere e mantenere premuto il tasto [Set] , il tasto [Set] va mantenuto premuto durante tutti i passi 5, e 6	
5. Attendere circa 3s dopodiché si accenderanno i led corrispondenti alle manovre che hanno avuto delle anomalie. Il led L1 indica l'esito della manovra più recente, il led L8 indica l'esito dell'ottava. Se il led è acceso significa che durante la manovra si sono verificate delle anomalie; se il led è spento significa che la manovra è terminata senza anomalie.	
6. Premere i tasti i tasti [▲] e [▼] per selezionare la manovra desiderata: Il led corrispondente farà un numero di lampeggi pari a quelli normalmente eseguiti dal lampeggiante dopo un'anomalia (vedere tabella 21).	
7. Rilasciare il tasto [Set]	

7.7) Diagnostica e segnalazioni

Alcuni dispositivi offrono direttamente delle segnalazioni particolari attraverso le quali è possibile riconoscere lo stato di funzionamento o dell'eventuale malfunzionamento.

7.7.1) Segnalazioni con il lampeggiante

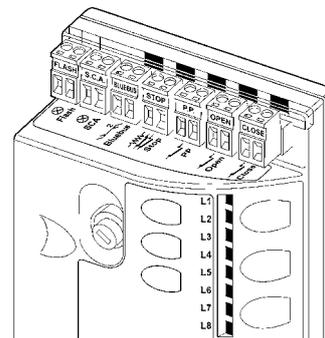
Il segnalatore lampeggiante FLASH durante la manovra esegue un lampeggio ogni secondo; quando accadono delle anomalie, vengono emessi dei lampeggi più brevi; i lampeggi si ripetono due volte, separati da una pausa di un secondo.

Tabella 21: segnalazioni sul lampeggiante FLASH

Lampeggi veloci	Causa	AZIONE
1 lampeggio pausa di 1 secondo 1 lampeggio	Errore sul BluBUS	All'inizio della manovra, la verifica dei dispositivi collegati a BlueBUS non corrisponde a quelli memorizzati durante la fase di apprendimento. E' possibile vi siano dispositivi guasti, verificare e sostituire; se sono state fatte delle modifiche occorre rifare l'apprendimento (7.3.4 Apprendimento altri dispositivi).
2 lampeggi pausa di 1 secondo 2 lampeggi	Intervento di una fotocellula	All'inizio della manovra una o più fotocellule non danno il consenso al movimento, verificare se ci sono ostacoli. Durante il movimento è normale se effettivamente è presente un ostacolo.
3 lampeggi pausa di 1 secondo 3 lampeggi	Intervento della "Rivelazione ostacoli"	Durante il movimento il cancello ha incontrato un maggiore attrito; verificare la causa
4 lampeggi pausa di 1 secondo 4 lampeggi	Intervento dell'ingresso di STOP	All'inizio della manovra o durante il movimento c'è stato un intervento dell'ingresso di STOP; verificare la causa
5 lampeggi pausa di 1 secondo 5 lampeggi	Errore nei parametri interni della centrale elettronica	Attendere almeno 30 secondi e riprovare a dare un comando; se lo stato rimane potrebbe esserci un guasto grave ed occorre sostituire la scheda elettronica.
6 lampeggi pausa di 1 secondo 6 lampeggi	Superato il limite massimo di manovre per ora.	Attendere alcuni minuti che il limitatore di manovre ritorni sotto il limite massimo.
7 lampeggi pausa di 1 secondo 7 lampeggi	Errore nei circuiti elettrici interni	Scollegare tutti i circuiti di alimentazione per qualche secondo poi riprovare a dare un comando; se lo stato rimane potrebbe esserci un guasto grave ed occorre sostituire la scheda elettronica
8 lampeggi pausa di 1 secondo 8 lampeggi	E' già presente un comando che non consente di eseguire altri comandi.	Verificare la natura del comando sempre presente; ad esempio potrebbe essere il comando da un orologio sull'ingresso di "apre".

7.7.2) Segnalazioni sulla centrale

Nella centrale di RUN ci sono una serie di LED ognuno dei quali può dare delle segnalazioni particolari, sia nel funzionamento normale che in caso di anomalia.



29

Tabella 22: led sui morsetti della centrale

Led BLUEBUS	Causa	AZIONE
Spento	Anomalia	Verificare se c'è alimentazione; verificare che i fusibili non siano intervenuti; nel caso, verificare la causa del guasto e poi sostituirli con altri dello stesso valore
Acceso	Anomalia grave	C'è una anomalia grave; provare a spegnere per qualche secondo la centrale; se lo stato permane c'è un guasto e occorre sostituire la scheda elettronica
Un lampeggio al secondo	Tutto OK	Funzionamento normale della centrale
2 lampeggi veloci	E' avvenuta una variazione dello stato degli ingressi	E' normale quando avviene un cambiamento di uno degli ingressi: PP, STOP, OPEN, CLOSE, intervento delle fotocellule o viene utilizzato il trasmettitore radio
Serie di lampeggi separati da una pausa di un secondo	Varie	E' la stessa segnalazione che c'è sul lampeggiante Vedere tabella 21
Led STOP	Causa	AZIONE
Spento	Intervento dell'ingresso di STOP	Verificare i dispositivi collegati all'ingresso di STOP
Acceso	Tutto OK	Ingresso STOP attivo
Led P.P.	Causa	AZIONE
Spento	Tutto OK	Ingresso PP non attivo
Acceso	Intervento dell'ingresso di PP	E' normale se è effettivamente attivo il dispositivo collegato all'ingresso PP
Led APRE	Causa	AZIONE
Spento	Tutto OK	Ingresso APRE non attivo
Acceso	Intervento dell'ingresso di OPEN	E' normale se è effettivamente attivo il dispositivo collegato all'ingresso APRE
Led CHIUDE	Causa	AZIONE
Spento	Tutto OK	Ingresso CHIUDE non attivo
Acceso	Intervento dell'ingresso di CLOSE	E' normale se è effettivamente attivo il dispositivo collegato all'ingresso CHIUDE

Tabella 23: led sui tasti della centrale

Led 1	Descrizione
Spento	Durante il funzionamento normale indica "Chiusura automatica" non attiva
Acceso	Durante il funzionamento normale indica "Chiusura automatica" attiva
Lampeggia	<ul style="list-style-type: none"> • Programmazione delle funzioni in corso • lampeggia assieme ad L2 indica che è necessario eseguire la fase di apprendimento dei dispositivi (vedere paragrafo "4.3 Apprendimento dei dispositivi").
Led L2	Descrizione
Spento	Durante il funzionamento normale indica "Richiudi Dopo Foto" non attivo.
Acceso	Durante il funzionamento normale indica "Richiudi Dopo Foto" attivo.
Lampeggia	<ul style="list-style-type: none"> • Programmazione delle funzioni in corso • Se lampeggia assieme ad L1 indica che è necessario eseguire la fase di apprendimento dei dispositivi (vedere paragrafo "4.3 Apprendimento dei dispositivi").
Led L3	Descrizione
Spento	Durante il funzionamento normale indica "Chiude Sempre" non attivo.
Acceso	Durante il funzionamento normale indica "Chiude Sempre" attivo.
Lampeggia	<ul style="list-style-type: none"> • Programmazione delle funzioni in corso • Se lampeggia assieme ad L4 indica che è necessario eseguire la fase di apprendimento della lunghezza dell'anta (vedere paragrafo "4.4 Apprendimento lunghezza dell'anta").
Led L4	Descrizione
Spento	Durante il funzionamento normale indica "Stand-By" non attivo.
Acceso	Durante il funzionamento normale indica "Stand-By" attivo.
Lampeggia	<ul style="list-style-type: none"> • Programmazione delle funzioni in corso • Se lampeggia assieme ad L3 indica che è necessario eseguire la fase di apprendimento della lunghezza dell'anta (vedere paragrafo "4.4 Apprendimento lunghezza dell' anta").
Led L5	Descrizione
Spento	Durante il funzionamento normale indica "Spunto" non attivo.
Acceso	Durante il funzionamento normale indica "Spunto" attivo.
Lampeggia	Programmazione delle funzioni in corso
Led L6	Descrizione
Spento	Durante il funzionamento normale indica "Prelampeggio" non attivo.
Acceso	Durante il funzionamento normale indica "Prelampeggio" attivo.
Lampeggia	Programmazione delle funzioni in corso
Led L7	Descrizione
Spento	Durante il funzionamento normale indica che l'ingresso CHIUDE attiva una manovra di chiusura
Acceso	Durante il funzionamento normale indica che l'ingresso CHIUDE attiva una manovra di apertura parziale.
Lampeggia	Programmazione delle funzioni in corso
Led L8	Descrizione
Spento	Durante il funzionamento normale indica che RUN è configurato come Master
Acceso	Durante il funzionamento normale indica che RUN è configurato come Slave
Lampeggia	Programmazione delle funzioni in corso

7.8) Accessori

Per RUN sono previsti i seguenti accessori opzionali:

- SMXI o SMXIS: Ricevitore radio a 433.92MHz con codifica digitale Rolling Code.
- ONEXI: Ricevitore radio a 433.92MHz con codifica digitale Rolling Code; dotato di Modo III per inviare 15 tipi di comandi alla centrale

- OperaView; Unità di programmazione remota. Consultare il catalogo prodotti di Nice S.p.a. per l'elenco completo ed aggiornato degli accessori.

7.8.1) Unità di programmazione remota

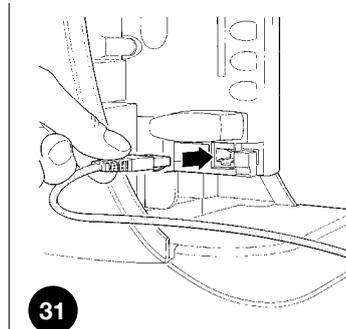
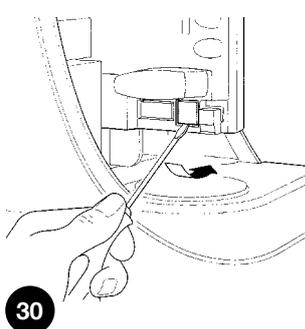
Nello specifico connettore BusT4 (vedere figura 30) è possibile collegare l'unità di programmazione remota Oview che consente una completa e rapida gestione dell'installazione, della manutenzione e della diagnosi di eventuali malfunzionamenti.

Per accedere al connettore è necessario togliere la membrana come indicato in figura 31. L'unità di programmazione remota può essere posta a distanza dalla centrale, fino a 100m di cavo; può essere collegata simultaneamente a più centrali, fino a 16 e può rimanere collegata anche durante il normale funzionamento di RUN; in questo caso, uno specifico menù "utilizzatore" permette di inviare i comandi alla centrale. Se nella centrale è inserito un ricevitore radio tipo Oxi o Oxit, attraverso l'unità di programmazione remota è possibile avere accesso ai parametri dei trasmettitori memorizzati.

Per queste funzioni è necessario un cavo di collegamento a 4 conduttori (BusT4). E' possibile anche effettuare l'aggiornamento del firmware della centrale di RUN.

Ulteriori informazioni sono contenute nel manuale di istruzioni del programmatore Oview.

IMPORTANTE – Per approfondire in dettaglio tutte le funzionalità del sistema NiceOpera e l'interdipendenza operativa che lega i vari dispositivi del sistema, consultare il manuale generale "NiceOpera System Book", disponibile anche nel sito internet www.niceforyou.com.



8) Caratteristiche tecniche

Con lo scopo di migliorare i propri prodotti, Nice S.p.a si riserva il diritto di modificare le caratteristiche tecniche in qualsiasi momento e senza preavviso pur mantenendo funzionalità e destinazione d'uso.

Tutte le caratteristiche tecniche riportate si riferiscono alla temperatura ambientale di 20°C (±5°C).

Caratteristiche tecniche RUN		
Modello tipo	RUN 1800 - RUN 1800P - RUN 1800/V1	RUN 2500 - RUN 2500P
Tipologia	Motoriduttore elettromeccanico per il movimento automatico di cancelli scorrevoli per uso industriale completo di centrale elettronica di controllo.	
Pignone	Numero denti 18; Modulo 4 *	
Coppia massima allo spunto (corrispondente alla capacità di sviluppare una forza per mettere in movimento l'anta)	40Nm (1110N)	50Nm (1390N)
Coppia nominale (corrispondente alla capacità di sviluppare una forza per mantenere in movimento l'anta)	20Nm (560N)	30Nm (830N)
Velocità (a vuoto)	10m/min (12m/min versione /V1)	
Velocità (alla coppia nominale)	8.5m/min (8.9m/min versione /V1)	
Frequenza massima cicli di funzionamento (alla coppia nominale)	11 cicli/ora (264 cicli/giorno), per un cancello da 15m (pari ad un ciclo del 63%), (la centrale limita i cicli al massimo previsto nelle tabelle 2 e 3)**	15 cicli/ora (365 cicli/giorno), per un cancello da 15m (pari ad un ciclo del 88%), (la centrale limita i cicli al massimo previsto nelle tabelle 2 e 3)**
Tempo massimo funzionamento continuo (alla coppia nominale)	40 minuti, (la centrale limita il funzionamento continuo al massimo previsto nelle tabelle 2 e 3)***	60 minuti, (la centrale limita il funzionamento continuo al massimo previsto nelle tabelle 2 e 3)***
Limiti d'impiego	Generalmente RUN è in grado di automatizzare cancelli con peso oppure lunghezza secondo i limiti riportati nelle tabelle 2, 3 e 4	
Durabilità	Stimata tra 150.000 cicli e 450.000 cicli, secondo le condizioni riportate in tabella 4	
Alimentazione RUN 1800 - 2500	230Vac (+10% -15%) 50 Hz	
Alimentazione RUN 1800/V1-2500/V1	120Vac (+10% -15%) 60 Hz	
Potenza massima assorbita allo spunto [corrispondenti ad Ampere]	700 W [3 A] [5 A versione /V1]	870 W [3.8 A]
Potenza alla coppia nominale [corrispondenti ad Ampere]	400 W [1.8 A] [3 A versione /V1]	600 W [2.7 A]
Classe di isolamento	1 (è necessaria la messa a terra di sicurezza)	
Uscita lampeggiante	per 2 lampeggianti LUCYB (lampada 12V, 21W)	
Uscita S.C.A	per 1 lampada 24V massimo 4W (la tensione d'uscita può variare tra -30 e +50% e può comandare anche piccoli relè)	
Uscita BLUEBUS	una uscita con carico massimo di 15 unità BlueBus	
Ingresso STOP	Per contatti normalmente chiusi, normalmente aperti oppure a resistenza costante 8,2kΩ; in auto apprendimento (una variazione rispetto allo stato memorizzato provoca il comando "STOP")	
Ingresso PP	per contatti normalmente aperti (la chiusura del contatto provoca il comando P.P.)	
Ingresso APRE	per contatti normalmente aperti (la chiusura del contatto provoca il comando APRE)	
Ingresso CHIUDE	per contatti normalmente aperti (la chiusura del contatto provoca il comando CHIUDE)	
Innesto radio	Connettore SM per ricevitori SMXI; SMXIS o ONEXI	
Ingresso ANTENNA Radio	Ingresso ANTENNA Radio 52Ω per cavo tipo RG58 o simili	
Funzioni programmabili	8 funzioni di tipo ON-OFF e 8 funzioni regolabili (vedere tabelle 7 e 9)	
Funzioni in auto apprendimento	Auto apprendimento dei dispositivi collegati all'uscita BlueBus Auto apprendimento del tipo di dispositivo di "STOP" (contatto NA, NC o resistenza 8,2kΩ) Auto apprendimento della lunghezza del cancello e calcolo dei punti di rallentamento ed apertura parziale.	
Temperatura di funzionamento	-20°C ÷ 50°C	
Utilizzo in atmosfera particolarmente acida o salina o potenzialmente esplosiva	No	
Grado di protezione	IP 44	
Dimensioni e peso	400 x 255 h 390; 24.5 kg	

* Disponibile pignone opzionale a 12 denti modulo 6.

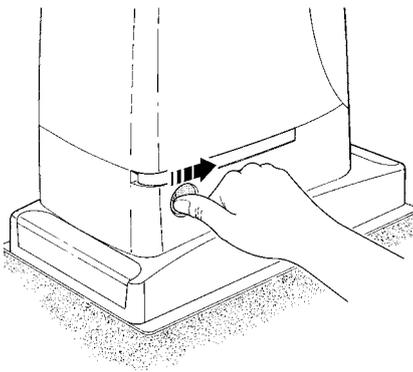
** A 50°C e con un cancello da 15 metri la frequenza massima di funzionamento è di 7 cicli/ora (pari ad un ciclo del 40%).

*** A 50°C il tempo massimo di funzionamento continuo è 10 minuti.

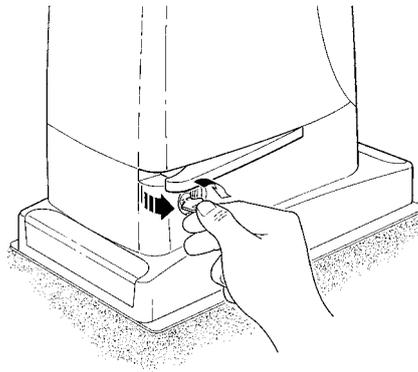
- **Prima di usare per la prima volta l'automazione**, fatevi spiegare dall'installatore l'origine dei rischi residui, e dedicate qualche minuto alla lettura del manuale di **istruzioni ed avvertenze per l'utilizzatore** consegnatovi dall'installatore. Conservate il manuale per ogni dubbio futuro e consegnatelo ad un eventuale nuovo proprietario dell'automazione.
 - **La vostra automazione è un macchinario che esegue fedelmente i vostri comandi**; un uso inconsueto ed improprio può farlo diventare pericoloso: non comandate il movimento dell'automazione se nel suo raggio di azione si trovano persone, animali o cose.
 - **Bambini**: un impianto di automazione garantisce un alto grado di sicurezza, impedendo con i suoi sistemi di rilevazione il movimento in presenza di persone o cose, e garantendo un'attivazione sempre prevedibile e sicura. È comunque prudente vietare ai bambini di giocare in prossimità dell'automazione e per evitare attivazioni involontarie non lasciare i telecomandi alla loro portata: **non è un gioco!**
 - **Anomalie**: Non appena notate qualunque comportamento anomalo da parte dell'automazione, togliete alimentazione elettrica all'impianto ed eseguite lo sblocco manuale. Non tentate da soli alcuna riparazione, ma richiedete l'intervento del vostro installatore di fiducia: nel frattempo l'impianto può funzionare come un'apertura non automatizzata, una volta sbloccato il motoriduttore come descritto più avanti.
 - **Manutenzione**: Come ogni macchinario la vostra automazione ha bisogno di una manutenzione periodica affinché possa funzionare più a lungo possibile ed in completa sicurezza. Concordate con il vostro installatore un piano di manutenzione con frequenza periodica; Nice consiglia un intervento ogni 6 mesi per un normale utilizzo domestico, ma questo periodo può variare in funzione dell'intensità d'uso. Qualunque intervento di controllo, manutenzione o riparazione deve essere eseguito solo da personale qualificato.
 - Anche se ritenete di saperlo fare, non modificate l'impianto ed i parametri di programmazione e di regolazione dell'automazione: la responsabilità è del vostro installatore.
 - Il collaudo, le manutenzioni periodiche e le eventuali riparazioni devono essere documentate da chi le esegue e i documenti conservati dal proprietario dell'impianto.
- Gli unici interventi** che vi sono possibili e vi consigliamo di effettuare periodicamente sono la pulizia dei vetri delle fotocellule e la rimozione di eventuali foglie o sassi che potrebbero ostacolare l'automatismo. Per impedire che qualcuno possa azionare il cancello, prima di procedere, ricordatevi di **sbloccare l'automatismo** (come descritto più avanti) e di utilizzare per la pulizia solamente un panno leggermente inumidito con acqua.
- **Smaltimento**: Al termine della vita dell'automazione, assicuratevi che lo smantellamento sia eseguito da personale qualificato e che i materiali vengano riciclati o smaltiti secondo le norme valide a livello locale.
 - **In caso di rotture o assenza di alimentazione**: Attendendo l'intervento del vostro installatore, o il ritorno dell'energia elettrica se l'impianto non è dotato di batterie tampone, l'automazione può essere azionata come una qualunque apertura non automatizzata. Per fare ciò è necessario eseguire lo sblocco manuale (unico intervento consentito all'utente sull'automazione): tale operazione è stata particolarmente studiata da Nice per assicurarvi sempre la massima facilità di utilizzo, senza uso di attrezzi particolari o necessità di sforzo fisico.

Sblocco e movimento manuale: prima di eseguire questa operazione porre **attenzione** che lo sblocco può avvenire solo quando l'anta è ferma.

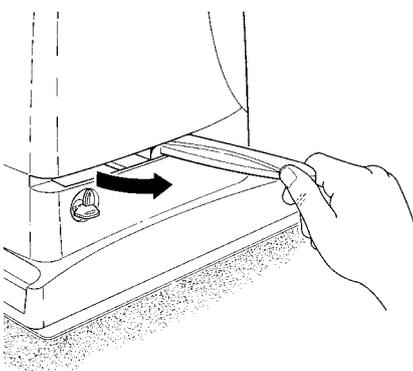
1 Far scorrere il dischetto copri serratura.



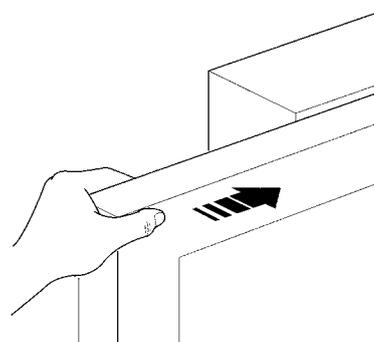
2 Inserire e ruotare la chiave in senso orario.



3 Tirare la maniglia di sblocco.



4 Muovere manualmente l'anta.



Per bloccare: eseguire, al contrario le stesse operazioni

Comando con sicurezze fuori uso: nel caso i dispositivi di sicurezza presenti nel cancello non dovessero funzionare correttamente è possibile comunque comandare il cancello.

- Azionare il comando del cancello (col telecomando, col selettore a chiave, ecc.); se tutto è a posto il cancello si aprirà o chiuderà normalmente, altrimenti il lampeggiante farà alcuni lampeggi e la manovra non partirà (il numero di lampeggi dipende dal motivo per cui la manovra non può partire).
- In questo caso, entro tre secondi si deve **azionare** nuovamente e **tenere azionato** il comando.
- Dopo circa 2s inizierà il movimento del cancello in modalità a "uomo presente", cioè finché si mantiene il comando, il cancello continuerà a muoversi; appena il comando viene rilasciato, il cancello si ferma.

⚠ Con le sicurezze fuori uso è necessario far riparare quanto prima l'automatismo.

Sostituzione pila del telecomando: se il vostro radiocomando dopo qualche tempo vi sembra funzionare peggio, oppure non funzionare affatto, potrebbe semplicemente dipendere dall'esaurimento della pila (a seconda dell'uso, possono trascorrere da diversi mesi fino ad oltre un anno). Ve ne potete accorgere dal fatto che la spia di conferma della trasmissione non si accende, è fioca, oppure si accende solo per un breve istante. Prima di rivolgervi all'installatore provate a scambiare la pila con quella di un altro trasmettitore eventualmente funzionante: se questa fosse la causa dell'anomalia, sarà sufficiente sostituire la pila con altra dello stesso tipo.

Le pile contengono sostanze inquinanti: non gettarle nei rifiuti comuni ma utilizzare i metodi previsti dai regolamenti locali.

Dichiarazione CE di conformità e dichiarazione di incorporazione di “quasi macchina”

Dichiarazione in accordo alle Direttive: 2004/108/CE (EMC); 2006/42/CE (MD) allegato II, parte B

Nota - Il contenuto di questa dichiarazione corrisponde a quanto dichiarato nel documento ufficiale depositato presso la sede di Nice S.p.a., e in particolare, alla sua ultima revisione disponibile prima della stampa di questo manuale. Il testo qui presente è stato riadattato per motivi editoriali. Copia della dichiarazione originale può essere richiesta a Nice S.p.a. (TV) I.

Numero: 238/RUN

Revisione: 5

Lingua: IT

Nome produttore:

Nice s.p.a.

Indirizzo:

Via Pezza Alta N°13, 31046 Rustignè di Oderzo (TV) Italy

Persona autorizzata a costituire

la documentazione tecnica:

Nice s.p.a.

Tipo di prodotto:

Motoriduttore elettromeccanico con centrale incorporata

Modello:

RUN1800, RUN2500, RUN1800P, RUN2500P

Accessori:

Ricevitori radio mod. SMXI, SMXIS e ONEXI

Il sottoscritto Mauro Sordini in qualità di Amministratore Delegato, dichiara sotto la propria responsabilità che il prodotto sopra indicato risulta conforme alle disposizioni imposte dalle seguenti direttive:

- DIRETTIVA 2004/108/CE DEL PARLAMENTO EUROPEO E DEL CONSIGLIO del 15 dicembre 2004 concernente il ravvicinamento delle legislazioni degli Stati membri relative alla compatibilità elettromagnetica e che abroga la direttiva 89/336/CEE, secondo le seguenti norme armonizzate: EN 61000-6-2:2005, EN 61000-6-3:2007+A1:2011

Inoltre il prodotto risulta essere conforme alla seguente direttiva secondo i requisiti previsti per le “quasi macchine”:

Direttiva 2006/42/CE DEL PARLAMENTO EUROPEO E DEL CONSIGLIO del 17 maggio 2006 relativa alle macchine e che modifica la direttiva 95/16/CE (rifusione)

- Si dichiara che la documentazione tecnica pertinente è stata compilata in conformità all'allegato VII B della direttiva 2006/42/CE e che sono stati rispettati i seguenti requisiti essenziali: 1.1- 1.1.2- 1.1.3- 1.2.1-1.2.6- 1.5.1-1.5.2- 1.5.5- 1.5.6- 1.5.7- 1.5.8- 1.5.10- 1.5.11
- Il produttore si impegna a trasmettere alle autorità nazionali, in risposta ad una motivata richiesta, le informazioni pertinenti sulla “quasi macchina”, mantenendo impregiudicati i propri diritti di proprietà intellettuale.
- Qualora la “quasi macchina” sia messa in servizio in un paese europeo con lingua ufficiale diversa da quella usata nella presente dichiarazione, l'importatore ha l'obbligo di associare alla presente dichiarazione la relativa traduzione.
- Si avverte che la “quasi macchina” non dovrà essere messa in servizio finché la macchina finale in cui sarà incorporata non sarà a sua volta dichiarata conforme, se del caso, alle disposizioni della direttiva 2006/42/CE.

Inoltre il prodotto risulta conforme alle seguenti norme:

EN 60335-1:2012 EN 60335-2-103:2003+A11:2009

Il prodotto risulta conforme, limitatamente alle parti applicabili, alle seguenti norme:

EN 13241-1:2003+A1:2011, EN 12445:2002, EN 12453:2002, EN 12978:2003+A1:2009

Oderzo, 1 luglio 2014

Ing. Mauro Sordini
(Amministratore Delegato)



Table des matières:

page

1	Avertissements	55	7.2.2	Programmation du premier niveau (fonctions ON-OFF)	66
2	Description du produit et type d'utilisation	56	7.2.3	Fonctions de deuxième niveau (paramètres réglables)	66
2.1	Limites d'utilisation	56	7.2.4	Programmation du deuxième niveau (paramètres réglables)	67
2.2	Installation typique	58	7.2.5	Exemple de programmation de premier niveau (fonctions ON-OFF)	68
2.3	Liste des câbles	58	7.2.6	Exemple de programmation de deuxième niveau (paramètres réglables)	68
3	Installation	59	7.3	Ajout ou retrait de dispositifs	68
3.1	Contrôles préliminaires	59	7.3.1	BlueBUS	68
3.2	Fixation de l'opérateur	60	7.3.2	Entrée STOP	69
3.3	Fixation des pattes de fin de course dans les versions avec fin de course de proximité inductif	60	7.3.3	Photocellules	69
3.4	Installation des différents dispositifs	61	7.3.4	Photodétecteur FT210B	69
3.5	Connexions électriques	61	7.3.5	RUN en mode «Slave»	70
3.6	Description des connexions électriques	62	7.3.6	Reconnaissance d'autres dispositifs	71
4	Contrôles finaux et mise en service	62	7.4	Fonctions particulières	71
4.1	Sélection de la direction	62	7.4.1	Fonction «ouvre toujours»	71
4.2	Branchement au secteur	62	7.4.2	Fonction «manœuvre dans tous les cas»	71
4.3	Reconnaissance des dispositifs	62	7.4.3	Système de contrôle du chauffage et du refroidissement	71
4.4	Reconnaissance de la longueur du tablier	63	7.4.4	Avis de maintenance	71
4.5	Vérification du mouvement du portail	63	7.5	Connexion d'autres dispositifs	72
4.6	Fonctions préprogrammées	63	7.6	Résolution des problèmes	73
4.7	Récepteur radio	63	7.6.1	Historique des anomalies	73
5	Essai et mise en service	63	7.7	Diagnostic et signalisations	73
5.1	Essai	64	7.7.1	Signalisations avec le clignotant	74
5.2	Mise en service	64	7.7.2	Signalisations sur la logique de commande	74
6	Maintenance et mise au rebut	64	7.8	Accessoires	75
6.1	Maintenance	64	7.8.1	Unité de programmation à distance	75
6.2	Mise au rebut	64	8	Caractéristiques techniques	76
7	Approfondissements	65		Instructions et recommandations destinées à l'utilisateur de l'opérateur RUN	77
7.1	Touches de programmation	65		Déclaration CE de Conformité	79
7.2	Programmations	65			
7.2.1	Fonctions du premier niveau (fonctions ON-OFF)	65			

1) Avertissements

Cette notice technique contient des informations importantes concernant la sécurité pour l'installation, il faut lire toutes les instructions avant de procéder à l'installation. Conserver soigneusement cette notice pour d'éventuelles consultations futures.

Compte tenu des dangers qui peuvent apparaître durant l'installation et l'utilisation de RUN, il faut, pour garantir une sécurité optimale, que l'installation soit réalisée en totale conformité avec les lois, normes et règlements. Dans ce chapitre, nous donnons des recommandations d'ordre général; d'autres recommandations importantes se trouvent dans les chapitres "3.1 Contrôles préliminaires"; "5 Essai et mise en service"

⚠ D'après la législation européenne la plus récente, l'automatisation d'une porte ou d'un portail possède les caractéristiques prévues par la directive 98/37/CE (directive Machines) et en particulier par les normes: EN 13241-1 (norme harmonisée); EN 12445; EN 12453 et EN 12635, qui permettent de déclarer la conformité à la directive «Machines».

D'autres informations et les conseils pour l'analyse des risques et la réalisation du dossier technique sont disponibles sur le site: www.nice-foryou.com. La présente notice est destinée uniquement au personnel technique qualifié pour l'installation. À part l'encart spécifique «Instructions et recommandations destinées à l'utilisateur de l'opérateur RUN» qui sera détaché par l'installateur, aucune autre information contenue dans la présente notice ne peut être considérée comme intéressante pour l'utilisateur final!

- Une utilisation de RUN différente de ce qui est prévu dans cette notice est interdite; des utilisations impropres peuvent être source de dangers ou de dommages aux personnes et aux choses.
- Avant de commencer l'installation, il faut effectuer l'analyse des risques comprenant la liste des exigences essentielles de sécurité par l'annexe I de la directive Machines, en indiquant les solutions adoptées. Nous rappelons que l'analyse des risques est l'un des documents qui constituent le «dossier technique» de l'automatisation.
- Vérifier la nécessité d'autres dispositifs pour compléter l'automatisation avec RUN suivant les conditions spécifiques de l'application et les risques présents; il faut considérer par exemple les risques d'impact, écrasement, cisaillement, coincement, etc., et d'autres dangers en général.
- N'effectuer de modifications sur aucune des parties si elles ne sont pas prévues dans la présente notice technique. Des opérations de ce type entraîneront obligatoirement des problèmes de fonctionnement. NICE décline toute responsabilité en cas de dommages dérivant de produits modifiés.
- Pendant l'installation et l'utilisation, éviter que des parties solides ou liquides puissent pénétrer à l'intérieur de la logique de commande ou d'autres composants ouverts; s'adresser éventuellement au service d'assistance NICE; l'utilisation de RUN dans de telles circonstances peut créer des situations de danger.
- L'automatisme ne peut pas être utilisé avant d'avoir effectué la mise en service comme l'explique le chapitre: «5 Essai et mise en service».
- Les matériaux d'emballage de RUN doivent être mis au rebut dans le plein respect des normes locales en vigueur.
- En cas de pannes qui ne peuvent pas être résolues avec les informations fournies dans cette notice technique, contacter le service après-vente NICE.
- Si des interrupteurs automatiques ou des fusibles interviennent, avant de les réarmer il faut identifier la cause de leur déclenchement et l'éliminer.
- Avant d'accéder aux bornes situées sous le carter de RUN, déconnecter tous les circuits d'alimentation; si le dispositif de déconnexion n'est pas visible, accrocher un panneau: «ATTENTION MAINTENANCE EN COURS».

Avertissements particuliers sur l'appropriation à l'utilisation de ce produit par rapport à la directive "Machines" 98/37/CE (ex 89/392/CEE):

- Ce produit est mis sur le marché comme «composant de machine» et est donc construit pour être incorporé dans une machine ou pour être assemblé avec d'autres appareillages afin de réaliser «une machine» selon les termes de la Directive 98/37/CE seulement en association avec les autres composants et dans les modes décrits dans cette notice technique. Comme le prévoit la directive 98/37/CE nous rappelons que la mise en service de ce produit n'est pas autorisée tant que le constructeur de la machine dans laquelle ce produit est incorporé ne l'a pas identifié et déclaré conforme à la directive 98/37/CE.

Avertissements particuliers sur l'appropriation à l'utilisation de ce produit par rapport à la directive «Basse tension» 73/23/CEE et à ses amendements ultérieurs 93/68/CEE:

- Ce produit est conforme aux exigences prévues par la directive «Basse tension» s'il est utilisé dans le but et les configurations prévues dans cette notice technique et en liaison avec les articles présents dans le catalogue des produits de Nice S.p.A.. Les exigences pourraient ne pas être garanties si le produit est utilisé dans des configurations ou avec d'autres produits non prévus; l'utilisation du produit dans ces situations est interdite tant que l'installateur n'a pas vérifié la conformité aux critères prévus par la directive.

Avertissements particuliers sur l'appropriation à l'utilisation de ce produit par rapport à la directive «Compatibilité électromagnétique» 89/336/CEE et à ses amendements ultérieurs 92/31/CEE et 93/68/CEE:

- Ce produit a été soumis aux essais relatifs à la compatibilité électromagnétique dans les situations d'utilisation les plus critiques, dans les configurations prévues dans cette notice technique et en liaison avec les articles présents dans le catalogue des produits de Nice S.p.A.. La compatibilité électromagnétique pourrait ne pas être garantie si le produit est utilisé dans des configurations ou avec d'autres produits non prévus; l'utilisation du produit dans ces situations est interdite tant que l'installateur n'a pas vérifié la conformité aux critères requis par la directive.

2) Description du produit et type d'utilisation

RUN est une ligne d'opérateurs électromécaniques irréversibles destinés à l'automatisation de portails coulissants. Ils disposent d'une logique électronique de commande et d'un connecteur type SM pour le récepteur des radiocommandes (en option). Les connexions électriques vers les dispositifs extérieurs sont simplifiées grâce à la technique «BlueBUS» qui permet de connecter plusieurs dispositifs avec seulement 2 fils. La liste des dispositifs qui peuvent être connectés à BlueBUS de Run est fournie dans le chapitre 7.3.1 «BlueBUS»; une liste, jour, mentionnant les compatibilités, est également présente sur le site: www.niceforyou.com.

RUN dispose d'un connecteur pour l'unité de programmation à distance qui garantit une gestion rapide et complète de l'installation, de la maintenance et du diagnostic des éventuels problèmes de fonctionnement; voir également 7.8.1 «Unité de programmation à distance».

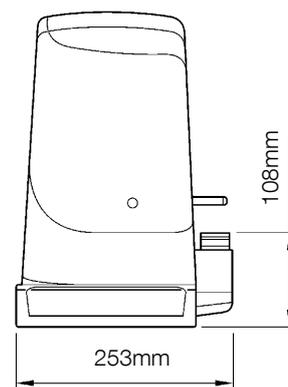
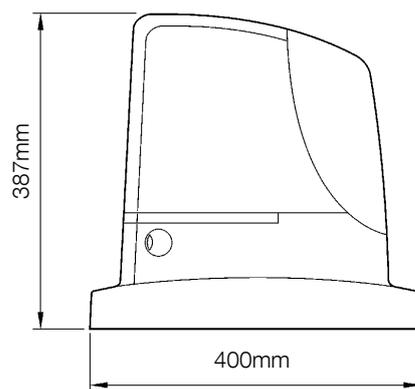
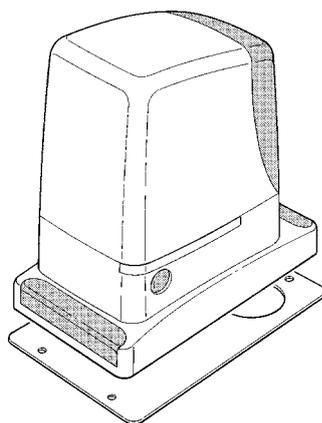
Les opérateurs RUN fonctionnent à l'énergie électrique; en cas de coupure du courant, il est possible de débrayer l'opérateur avec une clé spéciale et de manœuvrer le portail à la main.

Les produits dont les principales différences sont décrites dans le tableau 1 font partie de la ligne RUN.

Tableau 1: comparaison des caractéristiques essentielles des opérateurs RUN

Opérateur type	RUN1800	RUN1800P	RUN2500	RUN2500P
Type de fin de course	électromécanique	de proximité inductif	électromécanique	de proximité inductif
Longueur maximum du tablier	15m		18m	
Poids maximum du tablier	1800 kg		2500 kg	
Couple maximum au démarrage (correspondant à la force)	40Nm (1110N)		50Nm (1390N)	
Moteur	Asynchrone monophasé: 700W maximum		Asynchrone monophasé: 870W maximum	

Note: 1kg = 9,81N, donc, par exemple: 1390N = 142 kg



1

2.1) Limites d'utilisation

Les données relatives aux performances des produits de la ligne RUN figurent dans le chapitre 8 «Caractéristiques techniques» et sont les seules valeurs qui permettent d'évaluer correctement si l'opérateur est adapté à l'application. Les caractéristiques structurales de RUN permettent de les utiliser sur des portails coulissants, dans les limites indiquées dans les tableaux 2, 3 et 4.

Le fait que RUN soit réellement adapté à automatiser tel ou tel portail coulissant dépend des frictions et d'autres phénomènes, qui peuvent être occasionnels, comme la présence de glace qui pourrait bloquer le mouvement du tablier.

Pour une vérification réelle, il est absolument indispensable de mesurer la force nécessaire pour manœuvrer le tablier sur toute sa course et contrôler que la force ne dépasse pas la moitié du «couple nominal» indiqué au chapitre 8 «Caractéristiques techniques» (nous conseillons une marge de 50% car des conditions climatiques critiques peuvent faire augmenter les frictions); par ailleurs, pour établir le nombre de cycles/heure, les cycles consécutifs et la vitesse maximum autorisée, il faut considérer les données des tableaux 2 et 3.

Tableau 2: limites en fonction de la longueur du tablier

Longueur du tablier (m)	RUN1800/ RUN1800P		RUN2500/ RUN2500P	
	cycles/heure maximums	cycles consécutifs max.	cycles/heure maximums	cycles consécutifs max.
Jusqu'à 6	42	28	42	42
6 ÷ 9	28	18	28	28
9 ÷ 12	21	14	21	21
12 ÷ 15	17	11	17	17
15 ÷ 18			14	14

Tableau 3: limites en fonction du poids du tablier

Poids du tablier (kg)	RUN1800/ RUN1800P	RUN2500/ RUN2500P
	Pourcentage de cycles	Pourcentage de cycles
Jusqu'à 500	100%	100%
500 ÷ 900	80	80
900 ÷ 1200	75	75
1200 ÷ 1500	60	60
1500 ÷ 1800	50	50
2000 ÷ 2300	---	40
2300 ÷ 2500	---	30

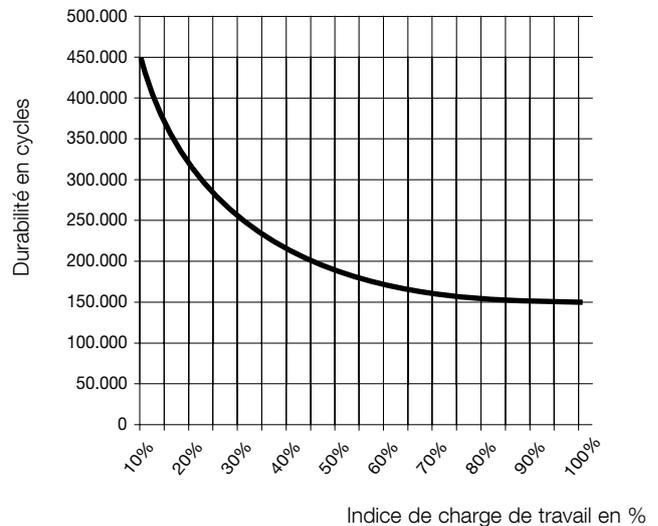
La longueur du tablier permet de déterminer le nombre maximum de cycles consécutifs tandis que le poids permet de déterminer le pourcentage de réduction des cycles; par exemple, pour RUN1800, si le tablier mesure 10 m de long, 21 cycles/heure et 14 cycles consécutifs seraient possibles mais si le tablier pèse 1300 kg, il faut les réduire à 60 %; le résultat est donc environ 9 cycles/heure et 8 cycles consécutifs. Pour éviter les surchauffes, la logique de commande prévoit un limiteur de manœuvres qui se base sur l'effort du moteur et la durée des cycles en intervenant quand la limite maximum est dépassée. Le limiteur de manœuvres mesure aussi la température ambiante en réduisant encore plus les manœuvres en cas de température particulièrement élevée.

Le chapitre 8 «Caractéristiques techniques» donne une estimation de «durabilité» c'est-à-dire de vie économique moyenne du produit. La valeur est fortement influencée par l'indice de charge de travail des manœuvres, c'est-à-dire la somme de tous les facteurs qui concourent à l'usure. Pour effectuer l'estimation, il faut additionner tous les indices de charge de travail du tableau 4, puis avec le résultat total, vérifier dans le graphique la durabilité estimée.

Par exemple: RUN1800 sur un portail de 1300 kg, de 10 m de long, équipé de photocellules et sans autres éléments de fatigue, obtient un indice de charge de travail égal à 45% (20+15+10). D'après le graphique, la durabilité estimée est de 200.000 cycles. Il faut préciser que l'estimation de durabilité s'effectue sur la base des calculs de projet et des résultats des essais pratiqués sur les prototypes; s'agissant d'une estimation, elle ne constitue en aucun cas une garantie de la durée effective du produit.

Tableau 4: estimation de la durabilité en fonction de l'indice de charge de travail de la manœuvre

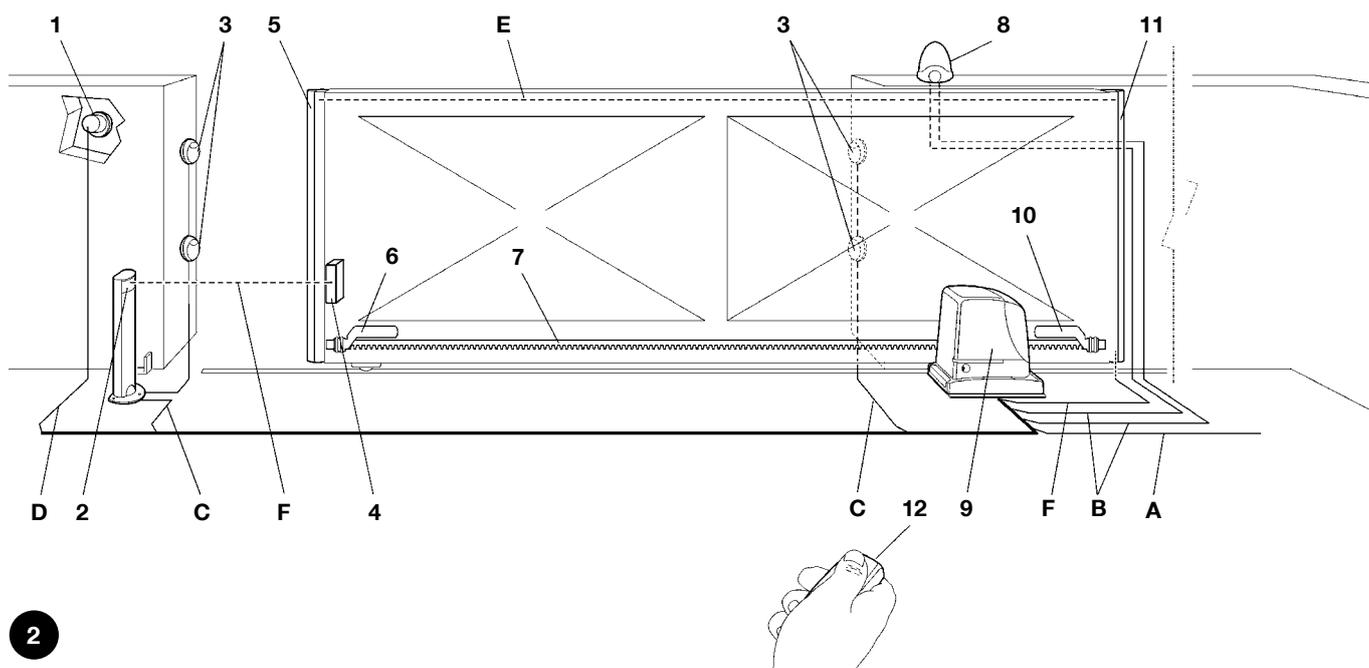
Indice de charge de travail en %	Run		Durabilité en cycles
	1800	2500	
Poids du tablier (kg)			
Jusqu'à 500	5	5	
500 ÷ 900	10	10	
900 ÷ 1200	20	20	
1200 ÷ 1500	30	30	
1500 ÷ 1800	40	40	
1800 ÷ 2200	-	50	
2200 ÷ 2500	-	60	
Longueur du tablier en mètres			
Jusqu'à 6	5	5	
6 ÷ 9	10	10	
9 ÷ 12	15	15	
12 ÷ 15	25	25	
15 ÷ 18	-	35	
Autres éléments de fatigue			
(à prendre en compte si la probabilité qu'ils se produisent est supérieure à 10 %)			
Température ambiante supérieure à 40 °C ou inférieure à 0 °C ou humidité supérieure à 80 %	10	10	
Présence de poussière ou de sable	15	15	
Présence de sel	20	20	
Interruption manœuvre par Photo	10	10	
Interruption manœuvre par Halte	20	20	
Démarrage activé	10	10	
Total indice de charge de travail en %:			



Note: si l'indice de charge de travail dépasse 100%, cela veut dire que l'on a dépassé les conditions d'accessibilité; il est conseillé d'utiliser un modèle d'une taille supérieure.

2.2) Installation typique

La figure 2 présente l'installation typique pour l'automatisation d'un portail coulissant utilisant RUN.



2

- | | |
|-----------------------------------|--------------------------------------|
| 1 Sélecteur à clé | 7 Crémaillère |
| 2 Récepteur FT210B | 8 Clignotant avec antenne incorporée |
| 3 Photocellules | 9 RUN |
| 4 Émetteur FT210B | 10 Patte de fin de course «Fermé» |
| 5 Bord primaire mobile | 11 Bord secondaire mobile (option) |
| 6 Patte de fin de course «Ouvert» | 12 Émetteur radio |

2.3) Liste des câbles

Dans l'installation typique de la figure 2 sont indiqués aussi les câbles nécessaires pour les connexions des différents dispositifs; le tableau 5 indique les caractéristiques des câbles.

⚠ Les câbles utilisés doivent être adaptés au type d'installation; par exemple, on conseille un câble type H03VV-F pour la pose à l'intérieur ou H07RN-F pour la pose à l'extérieur.

Tableau 5: liste des câbles

Connexion	Type de câble	Longueur maximum admise
A: Ligne électrique d'alimentation	1 câble 3x1,5mm ²	30m (note 1)
B: Clignotant avec antenne	1 câble 2x0,5mm ²	20m
	1 câble blindé type RG58	20m (longueur conseillée: moins de 5 m)
C: Photocellules	1 câble 2x0,5mm ²	30m (note 2)
D: Sélecteur à clé	2 câbles 2x0,5mm ² (note 3)	50m
E: Connexion entre les deux 2 bords mobiles	1 câble 2x0,5mm ² (note 4)	20m
F: Connexion des bords mobiles	1 câble 2x0,5mm ² (note 5)	30m

Note 1: si la longueur du câble d'alimentation dépasse 30 m, il faut prévoir un câble avec une section plus grande, par exemple 3x2,5mm² et une mise à la terre est nécessaire à proximité de l'automatisme.

Note 2: si la longueur du câble «BLUEBUS» dépasse 30 m, jusqu'à un maximum de 50m, il faut un câble de 2x1mm².

Note 3: les deux câbles de 2x0,5mm² peuvent être remplacés par un unique câble 4x0,5mm².

Note 4: s'il y a plus d'un bord sensible, voir le chapitre 7.3.2 «Entrée STOP» pour le type de connexion conseillée.

Note 5: pour la connexion des bords mobiles sur des tabliers coulissants, il faut utiliser des dispositifs appropriés qui permettent la connexion même quand le tablier est en mouvement; l'utilisation de FT210B est indiquée sur la figure.

3) Installation

⚠ L'installation de RUN doit être effectuée par du personnel qualifié, dans le respect des lois, des normes et des règlements ainsi que de toutes les instructions de cette notice technique.

3.1) Contrôles préliminaires

Avant de continuer l'installation de RUN, il faut effectuer les contrôles suivants:

- Vérifier que tout le matériel à utiliser est en excellent état, adapté à l'utilisation et conforme aux normes;
- Vérifier que la structure du portail est adaptée pour être équipée d'un automatisme;
- Vérifier que le poids et les dimensions du tablier rentrent dans les limites d'utilisation indiquées au chapitre 2.1 «Limites d'utilisation»;
- Vérifier, en comparant avec les valeurs figurant dans le chapitre 8 «Caractéristiques techniques», que la force nécessaire pour mettre le tablier en mouvement est inférieure à la moitié du «couple maximum» et que la force nécessaire pour maintenir le tablier en mouvement est inférieure à la moitié du «couple nominal»; on conseille une marge de 50 % sur les forces car les conditions climatiques adverses peuvent accroître les frictions;
- Vérifier que dans la course du portail, aussi bien en fermeture qu'en ouverture, il n'y a pas de points présentant une plus grande friction;
- Vérifier que le tablier ne risque pas de dérailler ni de sortir des rails de guidage;
- Vérifier la robustesse des butées mécaniques de limitation de la course en contrôlant qu'il n'y a pas de déformations même en cas de heurt violent du tablier sur la butée;
- Vérifier que le tablier est bien équilibré: il ne doit pas bouger s'il est laissé arrêté dans une position quelconque;
- Vérifier que la zone de fixation de l'opérateur n'est pas sujette à inondation; éventuellement, monter l'opérateur dans une position suffisamment soulevée du sol;

- Vérifier que la zone de fixation de l'opérateur permet d'effectuer la manœuvre de débrayage de manière facile et sûre;
- Vérifier que les points de fixation des différents dispositifs se trouvent dans des endroits à l'abri des chocs et que les surfaces sont suffisamment solides;
- Éviter que les parties de l'automatisme puissent être immergées dans l'eau ou dans d'autres substances liquides;
- Ne pas placer RUN à proximité de flammes ou de sources de chaleur, dans des atmosphères potentiellement explosives, particulièrement acides ou salines; cela pourrait endommager RUN et causer des problèmes de fonctionnement ou des situations de danger;
- Si un portillon pour le passage de piétons est incorporé au tablier ou est présent dans la zone de manœuvre du tablier, il faut s'assurer qu'il ne gêne pas la course normale et prévoir éventuellement un système d'interverrouillage;
- Connecter la logique de commande à une ligne d'alimentation électrique avec mise à la terre;
- La ligne d'alimentation électrique doit être protégée par un disjoncteur magnétothermique associé à un déclencheur différentiel;
- Sur la ligne d'alimentation du secteur électrique, il faut monter un dispositif de déconnexion de l'alimentation (avec catégorie de surtension III, c'est-à-dire avec une distance entre les contacts d'au moins 3,5 mm) ou bien un autre système équivalent, par exemple une prise et une fiche. Si le dispositif de déconnexion de l'alimentation ne se trouve pas à proximité de l'automatisme, il faut disposer d'un système de blocage contre la connexion accidentelle ou non autorisée.

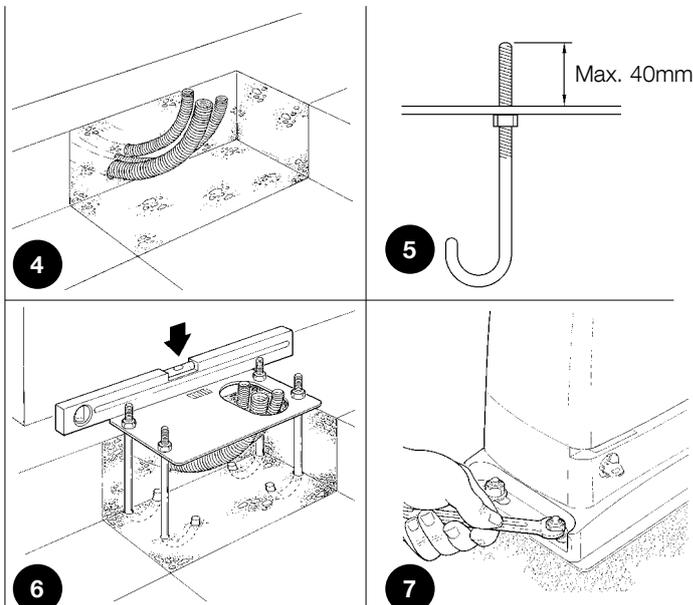
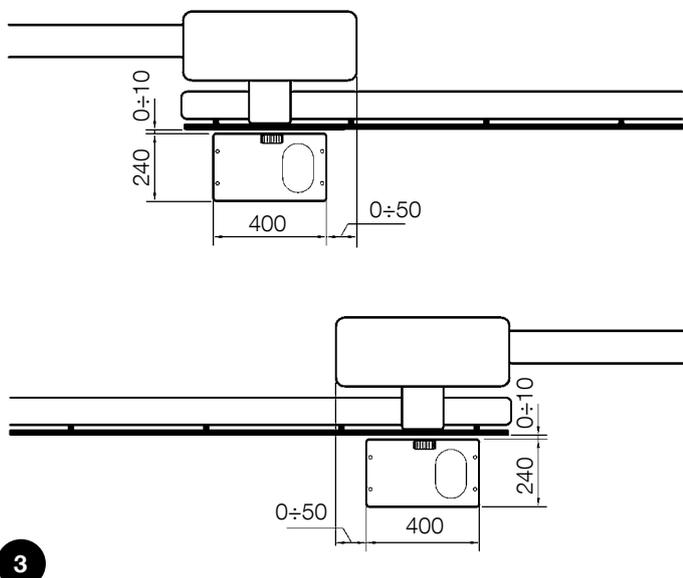
3.2) Fixation de l'opérateur

Si la surface d'appui existe déjà, la fixation de l'opérateur doit être effectuée directement sur la surface en utilisant des moyens adéquats par exemple avec des chevilles à expansion. Autrement, pour fixer l'opérateur: Sinon, pour fixer l'opérateur:

1. Creuser un trou de fondation de dimensions adéquates en respectant les mesures indiquées sur la figure 3;
2. Prévoir un ou plusieurs conduits pour le passage des câbles comme indiqué sur la figure 4;
3. Assembler les 4 agrafes sur la plaque de fondation en plaçant un écrou en dessous et un au-dessus de la plaque; l'écrou sous la

plaque doit être vissé à fond comme sur la figure 5 de sorte que la partie filetée de l'agrafe dépasse au maximum de 40 mm au-dessus de la plaque;

4. Effectuer la coulée en ciment et avant qu'il commence à prendre, mettre la plaque de fondation en respectant les distances indiquées dans la figure 3; vérifier qu'elle est parallèle au tablier et parfaitement de niveau (fig. 6). Attendre la prise complète du ciment;
5. Enlever les 4 écrous sur le dessus de la plaque puis y poser l'opérateur; vérifier qu'il est parfaitement parallèle au tablier puis visser légèrement les 4 écrous et les rondelles fournis comme sur la figure 7.

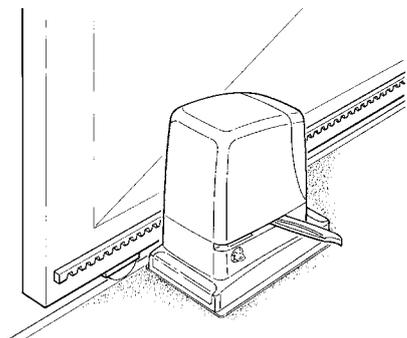


6. Débrayer l'opérateur suivant les indications du paragraphe «Débrayage et manœuvre manuelle» dans le chapitre «Instructions et recommandations destinées à l'utilisateur de l'opérateur RUN»;
7. Ouvrir complètement le tablier, poser sur le pignon le premier segment de crémaillère et vérifier que le début de la crémaillère correspond au début du tablier comme sur la figure 8. Vérifier la

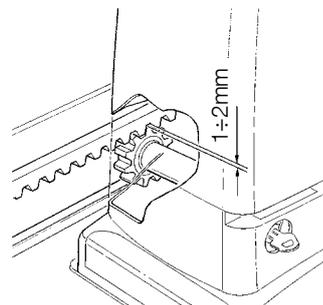
présence d'un jeu d'un à deux mm entre le pignon et la crémaillère, puis fixer la crémaillère sur le tablier avec des moyens adéquats.

⚠ Pour éviter que le tablier pèse trop sur l'opérateur, il est important qu'il y ait un jeu d'un à deux mm entre la crémaillère et le pignon, comme sur la figure 9.

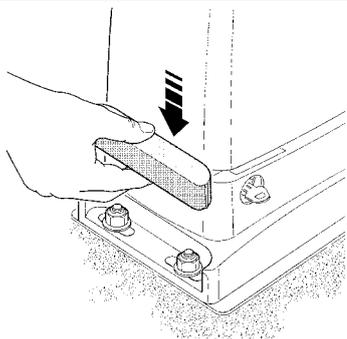
8



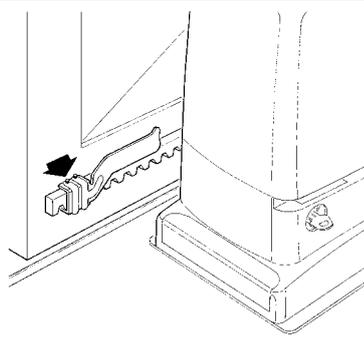
9



10



11



8. Faire coulisser le tablier et utiliser toujours le pignon comme référence pour fixer les autres éléments de la crémaillère;
9. Couper l'éventuelle partie de crémaillère qui dépasse sur le dernier segment;
10. Effectuer différentes manœuvres d'ouverture et de fermeture du tablier à la main et vérifier que la crémaillère coulisse alignée au pignon avec un désalignement maximum de 5 mm, et qu'il y a un jeu d'un à deux mm entre le pignon et la crémaillère sur toute la longueur;
11. Serrer énergiquement les écrous de fixation de l'opérateur en s'assurant qu'il est bien fixé au sol; couvrir les écrous de fixation avec les bouchons comme sur la figure 10;
12. Fixer les pattes de fin de course suivant la description donnée ci-après (pour les versions RUN1800P et RUN2500P fixer les pattes suivant la description du paragraphe 3.3 «Fixation des pattes de fin

de course dans les versions avec fin de course de proximité inductif);

- Porter manuellement le tablier en position d'ouverture en s'arrêtant à au moins 2 - 3 cm de la butée mécanique.
 - Faire coulisser la patte sur la crémaillère dans le sens de l'ouverture jusqu'à l'intervention du fin de course. Faire avancer ensuite la patte d'au moins 2 cm puis la bloquer sur la crémaillère avec les goujons correspondants comme sur la figure 11.
 - Effectuer la même opération pour le fin de course de fermeture.
13. Bloquer l'opérateur comme l'indique le paragraphe «Débrayage et manœuvre manuelle» dans le chapitre «Instructions et recommandations destinées à l'utilisateur».

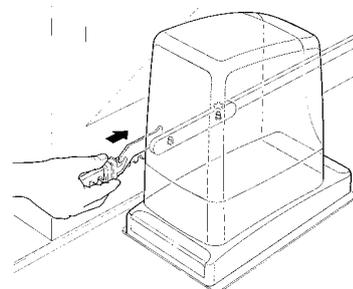
3.3) Fixation des pattes de fin de course dans les versions avec fin de course de proximité inductif

Pour les versions RUN1800P et RUN2500P qui utilisent le fin de course de proximité inductif, il faut fixer les pattes de fin de course suivant les indications données ci-après.

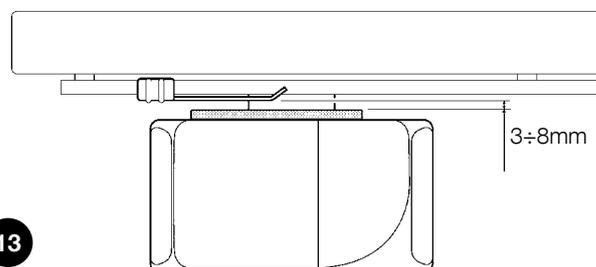
1. Porter manuellement le tablier en position d'ouverture en s'arrêtant à au moins 2 - 3 cm de la butée mécanique;
2. Faire coulisser la patte sur la crémaillère dans le sens de l'ouverture jusqu'à ce que la LED correspondante s'éteigne, comme sur la figure 1; ensuite, faire avancer la patte d'au moins 2 cm puis bloquer la patte à la crémaillère avec les goujons;
3. Porter à la main le tablier en position de fermeture en s'arrêtant à au moins 2 - 3 cm de la butée mécanique;
4. Faire coulisser la patte sur la crémaillère dans le sens de la fermeture jusqu'à l'extinction de la LED correspondante; Ensuite faire avancer la patte d'au moins 2 cm puis bloquer la patte à la crémaillère avec les goujons.

⚠ Dans le fin de course de proximité inductif, la distance de la patte doit être comprise entre 3 et 8 mm, comme indiqué sur la figure 13.

12



13



3.4) Installation des différents dispositifs

Installer les autres dispositifs prévus en suivant les instructions correspondantes. Vérifier dans le paragraphe 3.6 «Description des connexions électriques» et sur la figure 2 les dispositifs qui peuvent être connectés à RUN.

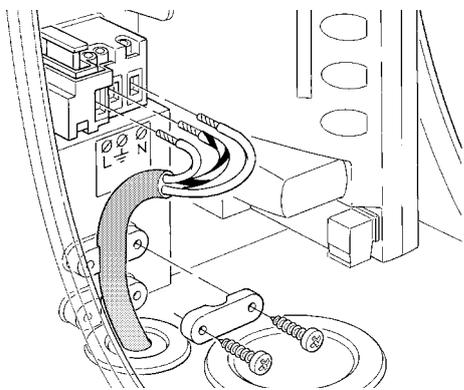
3.5) Connexions électriques

⚠ Toutes les connexions électriques doivent être réalisées avec l'installation hors tension.

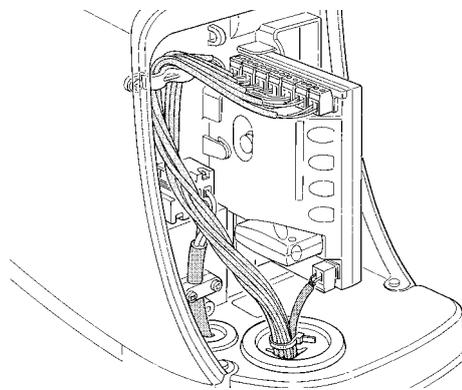
1. Pour éliminer le couvercle de protection et accéder à la logique électronique de commande de RUN, il faut enlever la vis sur le côté et retirer le couvercle en le tirant vers le haut;
2. Enlever les deux membranes en caoutchouc qui ferment les deux trous pour le passage des câbles; enfiler le câble d'alimentation, seul, dans le trou le plus petit et tous les autres câbles vers les divers dispositifs dans le trou le plus grand. Laisser les câbles 20 à 30 cm plus longs que nécessaire; Voir le tableau 5 pour le type de câble et la figure 2 pour les connexions.
3. Réunir avec un collier de serrage tous les câbles introduits dans le trou le plus grand, placer le collier juste au-dessous du trou d'entrée des câbles. Sur la membrane la plus grande, découper un trou un peu plus étroit que le diamètre des câbles regroupés et enfiler la

membrane le long des câbles jusqu'au collier; ensuite remettre la membrane en place; Mettre un deuxième collier de serrage pour regrouper les câbles juste au-dessus de la membrane.

4. Sur la membrane la plus petite, découper un trou un peu plus étroit que le diamètre du câble d'alimentation et enfiler la membrane le long du câble jusqu'à ce qu'elle soit de nouveau en place.
5. Connecter le câble d'alimentation du secteur sur la borne correspondante et le bloquer avec le collier prévu à cet effet, comme indiqué sur la figure 14;
6. Effectuer les connexions des autres câbles suivant le schéma de la figure 16. Pour plus de commodité, les bornes peuvent être extraites;
7. Une fois que les connexions sont terminées, bloquer avec des colliers les câbles regroupés aux anneaux serre-câbles; La partie du câble d'antenne en excès doit être fixée aux autres câbles à l'aide d'un autre collier, comme indiqué sur la figure 15.

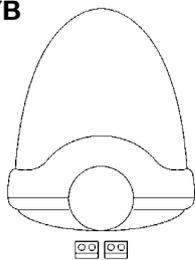


14



15

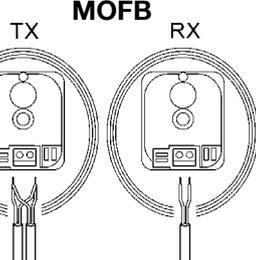
LUCYB



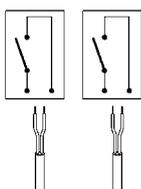
S.C.A.



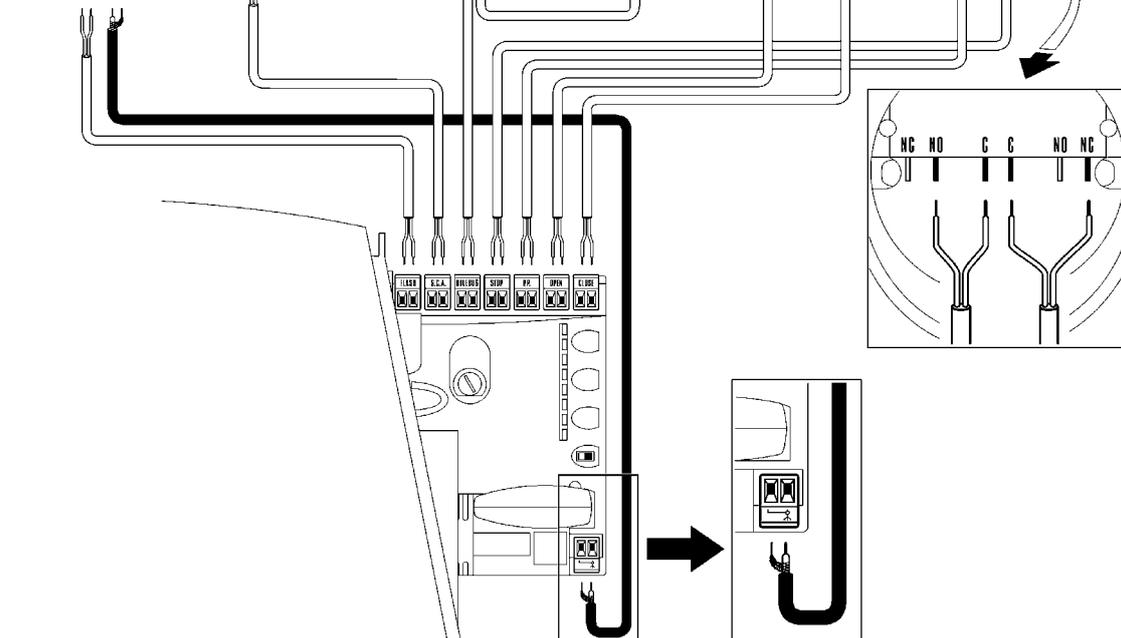
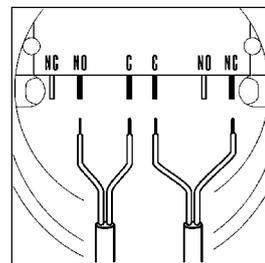
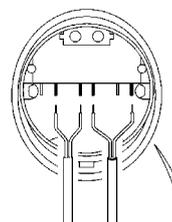
MOFB



OPEN CLOSE



MOSE



16

Pour connecter 2 moteurs sur des parties mobiles opposées, voir le paragraphe 7.3.5 «RUN en mode Slave».

3.6) Description des connexions électriques

Ce paragraphe contient une brève description des connexions électriques; d'autres informations se trouvent dans le paragraphe 7.3 «Ajout ou retrait de dispositifs».

FLASH: sortie pour clignotant type «LUCYB» ou similaires avec l'ampoule 12 V maximum 21 W.

S.C.A.: sortie «Voyant portail ouvert»; il est possible de connecter un voyant de signalisation de 24 V maximum 4 W. Peut également être programmée pour d'autres fonctions; voir paragraphe 7.2.3 «Fonctions de deuxième niveau».

BLUEBUS: sur cette borne, on peut connecter les dispositifs compatibles; ils sont tous connectés en parallèle avec seulement deux conducteurs sur lesquels transitent aussi bien l'alimentation électrique que les signaux de communication. D'autres informations sur BlueBUS sont fournies dans le paragraphe 7.3.1 «BlueBUS».

STOP: entrée pour dispositifs qui bloquent ou éventuellement arrêtent la manœuvre en cours; en adoptant certaines solutions sur

l'entrée, il est possible de connecter des contacts type «normalement fermé», «normalement ouvert» ou des dispositifs à résistance constante. D'autres informations sur STOP sont fournies dans le paragraphe 7.3.2 «Entrée STOP».

P.P.: entrée pour dispositifs qui commandent le mouvement en mode pas à pas; on peut y connecter des contacts du type «normalement ouvert».

OPEN: entrée pour dispositifs qui commandent le mouvement d'ouverture uniquement; on peut y connecter des contacts de type «normalement ouvert».

CLOSE: entrée pour dispositifs qui commandent le mouvement de fermeture uniquement; on peut y connecter des contacts de type «normalement ouvert».

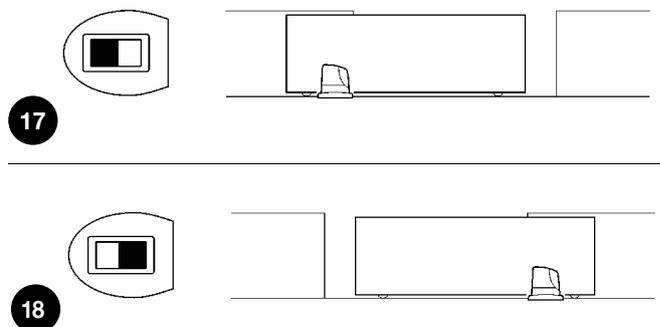
ANTENNE: entrée pour la connexion de l'antenne pour récepteur radio (l'antenne est incorporée sur LUCY B).

4) Contrôles finaux et mise en service

Avant de commencer la phase de contrôle et de mise en service de l'automatisme, il est conseillé de mettre le tablier à mi-course environ de sorte qu'il puisse se déplacer aussi bien en ouverture qu'en fermeture.

4.1) Sélection de la direction

La direction de la manœuvre d'ouverture doit être choisie en fonction de la position de l'opérateur par rapport au tablier; si le tablier doit coulisser vers la gauche pour l'ouverture, il faut mettre le sélecteur vers la gauche comme sur la figure 17, si le tablier doit coulisser vers la droite pour l'ouverture, il faut mettre le sélecteur vers la droite comme sur la figure 18.



4.2) Branchement au secteur

⚠ Le branchement de RUN au secteur doit être effectué par du personnel expert et qualifié en possession des caractéristiques requises et dans le plein respect des lois, normes et réglementations.

Dès que l'opérateur RUN est alimenté, il est conseillé de faire quelques vérifications élémentaires:

1. Vérifier que la LED BLUEBUS clignote régulièrement à la fréquence d'un clignotement à la seconde;
2. Vérifier que les LED sur les photocellules clignent elles aussi (aussi bien sur TX que sur RX); la fréquence de clignotement n'est pas significative, elle est liée à d'autres facteurs;

3. Vérifier que le clignotant connecté à la sortie FLASH et que le voyant connecté sur la sortie S.C.A. sont éteints;

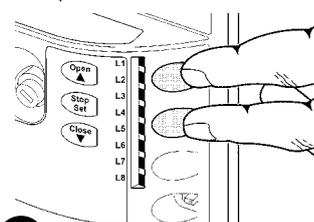
Si tout cela ne se vérifie pas, il faut couper immédiatement l'alimentation de la logique de commande et contrôler plus attentivement les connexions électriques.

D'autres informations utiles pour la recherche et le diagnostic des pannes sont fournies dans le chapitre 7.6 «Résolution des problèmes».

4.3) Reconnaissance des dispositifs

Après le branchement au secteur il faut faire reconnaître par la logique de commande les dispositifs connectés aux entrées BLUEBUS et STOP. Avant cette phase, les LED L1 et L2 clignotent pour indiquer qu'il faut effectuer la reconnaissance des dispositifs.

1. Presser et maintenir enfoncées les touches **[▲]** et **[Set]**;
2. Relâcher les touches quand les LED L1 et L2 commencent à clignoter très rapidement (au bout d'environ 3 s);
3. Attendre quelques secondes que la logique termine la reconnaissance des dispositifs;
4. À la fin de la reconnaissance, la LED STOP doit rester allumée; les LED L1 et L2 s'éteindront (les LED L3 et L4 commenceront éventuellement à clignoter).

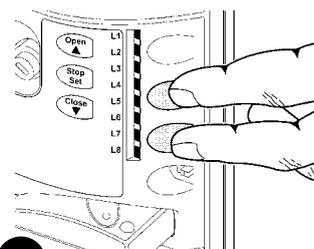


La phase de reconnaissance des dispositifs connectés peut être refaite à tout moment même après l'installation, par exemple si l'on ajoute un dispositif; pour effectuer la nouvelle reconnaissance, voir paragraphe 7.3.6 «Reconnaissance d'autres dispositifs».

4.4) Reconnaissance de la longueur du tablier

Après la reconnaissance des dispositifs, les LED L3 et L4 commenceront à clignoter; cela signifie qu'il faut faire reconnaître la longueur du tablier (distance entre le fin de course de fermeture et le fin de course d'ouverture); cette mesure est nécessaire pour le calcul des points de ralentissement et le point d'ouverture partielle.

1. Presser et maintenir enfoncées les touches **[▼]** et **[Set]**
2. Relâcher les touches quand la manœuvre commence (au bout d'environ 3 s);
3. Vérifier que la manœuvre en cours est une ouverture, autrement presser la touche **[Stop]** et relire attentivement le paragraphe "4.1 Sélection de la direction"; puis répéter à partir du point 1;
4. Attendre que la logique complète la manœuvre d'ouverture jusqu'à ce que le fin de course d'ouverture soit atteint; la manœuvre de fermeture commence juste après;
5. Attendre que la logique achève la manœuvre de fermeture.



20

Si tout cela ne se vérifie pas, il faut couper immédiatement l'alimentation de la logique de commande et contrôler plus attentivement les connexions électriques. D'autres informations utiles sont fournies dans le chapitre 7.6 «Résolution des problèmes».

4.5) Vérification du mouvement du portail

Après la reconnaissance de la longueur du tablier, il est conseillé d'effectuer quelques manœuvres pour vérifier que le mouvement du portail est correct.

1. Presser la touche **[Open]** pour commander une manœuvre d'ouverture; vérifier que l'ouverture du portail s'effectue régulièrement sans variation de vitesse; le tablier ne doit ralentir que lorsqu'il se trouve à 70/50 cm avant le fin de course et il doit s'arrêter, suite à l'intervention du fin de course, à 2/3 cm de la butée mécanique d'ouverture;
2. Presser la touche **[Close]** pour commander une manœuvre de fermeture; vérifier que la fermeture du portail s'effectue régulièrement sans variation de vitesse; le tablier ne doit ralentir que lorsqu'il se trouve à 70/50 cm avant le fin de course et il doit s'arrêter, suite à l'intervention du fin de course, à 2/3 cm de la butée mécanique de fermeture;
3. Durant la manœuvre, vérifier que le clignotant clignote à une fréquence régulière de 0,5 s; S'il est présent, contrôler également les clignotements du voyant connecté à la borne S.C.A.: clignotement lent en ouverture, rapide en fermeture.
4. Effectuer différentes manœuvres d'ouverture et de fermeture pour mettre en évidence les éventuels défauts de montage et de réglage ou d'autres anomalies comme par exemple les points de plus grande friction;
5. Vérifier que les fixations de l'opérateur RUN, de la crémaillère et des pattes de fin de course sont solides, stables et suffisamment résistantes même en cas de brusques accélérations ou décélérations du mouvement du portail.

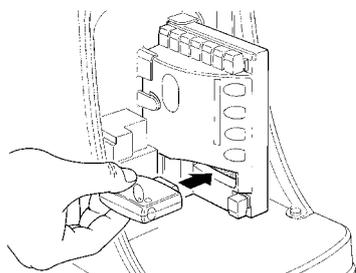
4.6) Fonctions préprogrammées

La logique de commande de RUN dispose de certaines fonctions programmables; en usine ces fonctions sont réglées suivant une configuration qui devrait satisfaire la plupart des automatisations; quoiqu'il en soit, les fonctions peuvent être modifiées à tout moment

à l'aide d'une procédure de programmation particulière, voir pour cela le paragraphe 7.2 «Programmations».

4.7) Récepteur radio

Pour la commande à distance de RUN, la logique de commande est munie d'un connecteur SM pour récepteurs radio type SMXI ou SMXIS en option. Pour embrocher le récepteur radio, il faut couper l'alimentation de RUN et effectuer l'opération indiquée sur la figure 21. Dans le tableau 6, est décrite l'association entre la sortie des récepteurs radio SMXI et SMXIS et la commande que RUN exécutera:



21

Pour tout renseignement supplémentaire, consulter la notice technique du récepteur radio.

Tableau 6: commandes avec récepteur SMXI, SMXIS

Sortie N°1	Commande «PP» (pas à pas)
Sortie N°2	Commande «Ouverture partielle»
Sortie N°3	Commande «Ouverture»
Sortie N°4	Commande «Fermeture»

5) Essai et mise en service

Il s'agit de la phase la plus importante dans la réalisation de l'automatisation afin de garantir une sécurité maximum. L'essai peut également être utilisé comme vérification périodique des dispositifs qui composent l'automatisme.

▲ L'essai de toute l'installation doit être effectué par du personnel qualifié et expérimenté qui devra se charger d'établir les essais prévus en fonction des risques présents et de vérifier le respect de ce qui est prévu par les lois, les normes et réglementations et en particulier, toutes les conditions de la norme EN 12445 qui détermine les méthodes d'essai pour la vérification des automatismes pour portails.

5.1) Essai

Chaque élément de l'automatisme comme par exemple les bords sensibles, les photocellules, l'arrêt d'urgence, etc. demande une phase spécifique d'essai; pour ces dispositifs, il faudra effectuer les procédures figurant dans les notices techniques correspondantes. Pour l'essai de RUN, effectuer la série d'opérations ci-après:

1. Vérifier que tout ce qui est prévu dans la présente notice technique est rigoureusement respecté, en particulier dans le chapitre 1 «Avertissements»;
2. Débrayer l'opérateur selon les indications du paragraphe «Débrayage et manœuvre manuelle» dans le chapitre «Instructions et recommandations destinées à l'utilisateur de l'opérateur RUN»;
3. Vérifier qu'il est possible de manœuvrer manuellement le tablier en ouverture et en fermeture avec une force ne dépassant pas 390 N (environ 40 kg);
4. Bloquer l'opérateur.
5. En utilisant les dispositifs de commande ou d'arrêt prévus (sélecteur

à clé, boutons de commande ou émetteurs radio), effectuer des essais d'ouverture, de fermeture et d'arrêt du portail et vérifier que le comportement du portail correspond à ce qui est prévu;

6. Vérifier un par un le fonctionnement correct de tous les dispositifs de sécurité présents dans l'installation (photocellules, bords sensibles, arrêt d'urgence, etc.) et contrôler que le comportement du portail correspond à ce qui est prévu; Chaque fois qu'un dispositif intervient, la LED «BLUEBUS» sur la logique de commande doit effectuer 2 clignotements plus rapides qui confirment qu'elle reconnaît l'événement.
7. Si la protection contre les situations dangereuses provoquées par le mouvement du tablier a été assurée à travers la limitation de la force d'impact, il faut effectuer la mesure de la force conformément à ce qui est prévu par la norme EN 12445. Si le réglage de la «sensibilité de détection des obstacles» ou le contrôle du «couple moteur» sont utilisés comme auxiliaire du système pour la réduction de la force d'impact, essayer et trouver les réglages qui donnent les meilleurs résultats.

5.2) Mise en service

La mise en service ne peut être faite que si toutes les phases d'essai de RUN et des autres dispositifs ont été réussies. La mise en service partielle ou dans des situations «provisoires» n'est pas autorisée.

1. Réaliser et conserver pendant au moins 10 ans le dossier technique de l'automatisme qui devra comprendre au minimum: dessin d'ensemble de l'automatisation, schéma des connexions électriques, analyse des risques et solutions adoptées, déclaration de conformité du fabricant de tous les dispositifs utilisés (pour RUN, utiliser la déclaration CE de conformité ci-jointe), exemplaire de la notice technique et du plan de maintenance de l'automatisme.
2. Appliquer sur le portail une plaquette contenant au moins les données suivantes: type d'automatisme, nom et adresse du constructeur (responsable de la «mise en service»), numéro de série, année de construction et marque CE.

3. Fixer de manière permanente à proximité du portail une étiquette ou une plaque indiquant les opérations à effectuer pour le débrayage et la manœuvre manuelle.
4. Remplir et remettre au propriétaire la déclaration de conformité de l'automatisme.
5. Rédiger et remettre au propriétaire de l'automatisme la notice «Instructions et avertissements pour l'utilisation de l'automatisme»;
6. Rédiger et remettre au propriétaire le plan de maintenance de l'automatisme (qui doit regrouper toutes les prescriptions pour la maintenance de chaque dispositif);
7. Avant de mettre en service l'automatisme, informer le propriétaire, de manière adéquate et par écrit (par exemple dans la notice technique et d'avertissements pour l'utilisation de l'automatisme), sur les risques résiduels.

6) Maintenance et mise au rebut

Ce chapitre contient les informations pour l'élaboration du plan de maintenance et la mise au rebut de RUN.

6.1) Maintenance

Pour maintenir le niveau de sécurité et pour garantir la durée maximum de tout l'automatisme, il faut effectuer une maintenance régulière; dans ce but, RUN dispose d'un compteur de manœuvres et d'un système de signalisation de maintenance nécessaire; voir le paragraphe 7.4.4 «Avis de maintenance».

⚠ La maintenance doit être effectuée dans le plein respect des consignes de sécurité de la présente notice et suivant les prescriptions des lois et normes en vigueur.

Si d'autres dispositifs sont présents, suivre ce qui est prévu dans le plan de maintenance correspondant.

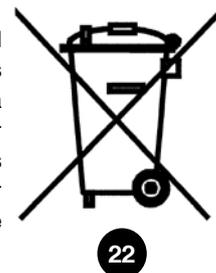
1. Pour RUN, il faut effectuer une maintenance programmée au maximum dans les 6 mois ou quand 20 000 manœuvres ont été effectuées depuis la dernière intervention de maintenance;
2. Débrancher toutes les sources d'alimentation électrique;
3. Vérifier l'état de détérioration de tous les matériaux qui composent l'automatisme avec une attention particulière pour les phénomènes d'érosion ou d'oxydation des parties structurales; remplacer les parties qui ne donnent pas de garanties suffisantes;
4. Vérifier l'état d'usure des parties en mouvement: pignon, crémaillère et toutes les du tablier; remplacer les pièces usées;
5. Reconnecter les sources d'alimentation électrique et effectuer tous les essais et les contrôles prévus dans le paragraphe 5.1 «Essai».

6.2) Mise au rebut

Comme pour l'installation, à la fin de la durée de vie de ce produit, les opérations de démantèlement doivent être effectuées par du personnel qualifié. Ce produit est constitué de différents types de matériaux dont certains peuvent être recyclés et d'autres devront être mis au rebut; informez-vous sur les systèmes de recyclage ou d'élimination prévus par les normes locales en vigueur pour cette catégorie de produit.

⚠ Certains composants du produit peuvent contenir des substances polluantes ou dangereuses qui pourraient avoir des effets nuisibles sur l'environnement et sur la santé des personnes s'ils n'étaient pas adéquatement éliminés.

Comme l'indique le symbole de la figure 22, il est interdit de jeter ce produit avec les ordures ménagères. Procéder par conséquent à la «collecte différenciée» des composants pour leur traitement conformément aux méthodes prescrites par les normes locales en vigueur ou restituer le produit au vendeur lors de l'achat d'un nouveau produit équivalent.



Certains règlements locaux peuvent appliquer de lourdes sanctions en cas d'élimination prohibée de ce produit.

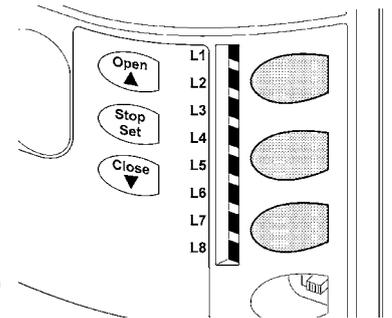
7) Approfondissements

Ce chapitre explique les possibilités de programmation et de personnalisation, ainsi que le diagnostic et la recherche des pannes sur RUN.

7.1) Touches de programmation

Sur la logique de commande de RUN se trouvent 3 touches qui peuvent être utilisées aussi bien pour la commande de la logique durant les essais que pour les programmations:

Open ▲	La touche «OPEN» permet de commander l'ouverture du portail ou de déplacer vers le haut le point de programmation
Stop Set	La touche «STOP» permet d'arrêter la manœuvre et si elle est pressée plus de 5 secondes, elle permet d'entrer en programmation.
Close ▼	La touche «CLOSE» permet de commander la fermeture du portail ou de déplacer vers le bas le point de programmation.



23

7.2) Programmations

Sur la logique de commande de RUN plusieurs fonctions programmables sont disponibles; le paramétrage des fonctions s'effectue au moyen de 3 touches présentes sur la logique de commande: [▲] [Set] [▼]; elles sont visualisées au moyen de 8 LED: L1...L8. Les fonctions programmables disponibles sur RUN sont réparties sur deux niveaux:

Premier niveau: fonctions réglables en mode ON-OFF (actif ou non actif); dans ce cas, chaque LED L1...L8 indique une fonction, si elle est allumée la fonction est active, si elle est éteinte la fonction n'est pas active; voir tableau 7.

Deuxième niveau: paramètres réglables sur une échelle de valeurs (valeurs d'1 à 8); dans ce cas, chaque LED L1...L8 indique la valeur réglée parmi les 6 possibles; voir tableau 9.

7.2.1) Fonctions du premier niveau (fonctions ON-OFF)

Tableau 7: liste des fonctions programmables: premier niveau

Led	Fonction	Description
L1	Fermeture automatique	Cette fonction permet une fermeture automatique du portail après le temps de pause programmé; le temps de pause est réglé en usine à 30 secondes mais peut être modifié et réglé sur 5, 15, 30, 45, 60, 80, 120 et 180 secondes. Si la fonction n'est pas active, le fonctionnement est «semi-automatique».
L2	Refermeture après passage devant la photocellule	Cette fonction permet de garder le portail ouvert uniquement le temps nécessaire au transit, en effet l'intervention de «Photo» provoque toujours une refermeture automatique avec un temps de pause de 5 s (indépendamment de la valeur programmée); le comportement varie selon que la «fermeture automatique» est active ou pas. Si la «fermeture automatique» n'est pas active: le portail atteint toujours la position d'ouverture totale (même si la libération de la photocellule a lieu avant). La libération de la photocellule provoque la refermeture automatique au bout de 5 s. Avec la «fermeture automatique» active: la manœuvre d'ouverture s'arrête juste après que les photocellules ont été libérées et 5 s plus tard la refermeture automatique commence. La fonction de «refermeture après passage devant la photocellule» est toujours désactivée dans les manœuvres interrompues avec une commande de Stop. Si la fonction «refermeture après passage devant la photocellule» n'est pas active, le temps de pause sera celui qui est programmé ou bien il n'y aura pas de refermeture automatique si la fonction n'est pas active.
L3	Ferme toujours	La fonction «ferme toujours» intervient, en provoquant une fermeture, quand au retour de l'alimentation la logique détecte le portail ouvert. Pour des questions de sécurité, la manœuvre est précédée par 5 s de préclignotement. Si la fonction n'est pas active au retour de l'alimentation, le portail restera immobile.
L4	Ralentissement	Avec l'activation de cette fonction, une phase de ralentissement est programmée à la fin des manœuvres d'ouverture et de fermeture. La vitesse de ralentissement correspond à environ 60% de la vitesse nominale. Attention: Durant le ralentissement, le moteur ne développe que la moitié du couple nominal; il ne sera pas possible d'utiliser le ralentissement sur des portails lourds ou qui requièrent le maximum de couple. Si le ralentissement n'est pas activé, la vitesse reste constante pendant toute la manœuvre.
L5	Démarrage	Avec l'activation de cette fonction, l'accélération progressive au début de chaque manœuvre est désactivée; cela permet d'avoir la force de démarrage maximum et c'est utile en cas de frictions statiques élevées, par exemple en cas de neige ou de givre qui bloquent le portail. Si la fonction «démarrage» n'est pas active, la manœuvre commence avec une accélération progressive.
L6	Préclignotement	Avec la fonction de préclignotement, une pause de 3 s est ajoutée entre l'allumage du clignotant et le début de la manœuvre pour avertir l'utilisateur de la situation de danger. Si la fonction n'est pas active, l'allumage du clignotant coïncide avec le début de la manœuvre.
L7	«Fermeture» devient «Ouverture partielle»	En activant cette fonction, toutes les commandes de «fermeture» (entrée «CLOSE» ou commande radio «fermeture») activent une manœuvre d'ouverture partielle (voir LED L6 sur tableau 9).
L8	Mode «Slave» (esclave)	Avec l'activation de cette fonction, RUN devient «Slave» (esclave): il est possible, ainsi, de synchroniser le fonctionnement de 2 moteurs sur des parties mobiles opposées dans lesquelles un moteur fonctionne comme Master (maître) et un comme Slave (esclave); pour plus de détails, voir le paragraphe 7.3.5 RUN en mode «Slave»

Durant le fonctionnement normal de RUN, les LED L1...L8 sont allumées ou éteintes suivant l'état de la fonction à laquelle elles correspondent, par exemple L1 est allumée si la «fermeture automatique» est active.

7.2.2) Programmation du premier niveau (fonctions ON-OFF)

En usine, les fonctions du premier niveau sont toutes mises sur «OFF» mais on peut les modifier à tout moment comme l'indique le tableau 8. Faire attention dans l'exécution de la procédure car il y a un temps maximum de 10 s entre la pression d'une touche et l'autre, autrement la procédure se termine automatiquement en mémorisant les modifications faites jusqu'à ce moment-là.

Tableau 8: pour changer les fonctions ON-OFF

	Exemple
1. Presser et maintenir enfoncée la touche [Set] pendant environ 3 s.	
2. Relâcher la touche [Set] quand la LED L1 commence à clignoter.	
3. Presser les touches [▲] ou [▼] pour déplacer la LED clignotante sur la LED qui correspond à la fonction à modifier.	
4. Presser la touche [Set] pour changer l'état de la fonction (clignotement bref = OFF; clignotement long = ON).	
5. Attendre 10 s pour sortir de la programmation pour temps maximum écoulé.	

Note: les points 3 et 4 peuvent être répétés au cours de la même phase de programmation pour mettre d'autres fonctions en mode ON ou OFF.

7.2.3) Fonctions de deuxième niveau (paramètres réglables)

Tableau 9: liste des fonctions programmables: deuxième niveau

LED d'entrée	Paramètre	LED (niveau)	Valeur	Description
L1	Temps de pause	L1	5 secondes	Règle le temps de pause, c'est-à-dire le temps avant la refermeture automatique. La fonction n'a d'effet que si la fermeture automatique est active.
		L2	15 secondes	
		L3	30 secondes	
		L4	45 secondes	
		L5	60 secondes	
		L6	80 secondes	
		L7	120 secondes	
		L8	180 secondes	
L2	Fonction P.P.	L1	Ouverture - stop - fermeture - stop	Règle la séquence de commandes associées à l'entrée P.P. ou bien à la première commande radio.
		L2	Ouverture - stop - fermeture - ouverture	
		L3	Ouverture - fermeture - ouverture - fermeture	
		L4	Fonctionnement collectif	
		L5	Fonctionnement collectif 2 (plus de 2 s entraîne un arrêt)	
		L6	Pas à pas 2 (moins de 2 s entraîne une ouverture partielle)	
		L7	Commande «par action maintenue»	
		L8	Ouverture en «semi-automatique», fermeture avec commande «par action maintenue»	
L3	Sensibilité de détection des obstacles	L1	Sensibilité extrêmement élevée (portails légers)	Règle la sensibilité de détection des obstacles. Tenir compte du fait que la sensibilité est également influencée par la force du moteur (voir L5); la force du moteur doit toujours être réglée en premier; il n'est possible de régler la sensibilité de détection des obstacles qu'après.
		L2	Sensibilité très élevée	
		L3	Sensibilité élevée	
		L4	Sensibilité moyenne	
		L5	Sensibilité moyenne à basse	
		L6	Sensibilité basse	
		L7	Sensibilité très basse	
		L8	Sensibilité extrêmement basse (portails lourds)	
L4	Sortie S.C.A.	L1	Fonction «voyant portail ouvert»	Règle la fonction associée à la sortie S.C.A. (quelle que soit la fonction associée, la sortie, quand elle est active, fournit une tension de 24 V - 30 + 50 % avec une puissance maximum de 4 W).
		L2	Active si le tablier est fermé	
		L3	Active si le tablier est ouvert	
		L4	Active avec sortie radio n° 2	
		L5	Active avec sortie radio n° 3	
		L6	Active avec sortie radio n° 4	
		L7	Voyant de la maintenance	
		L8	Serrure électrique	
L5	Contrôle de la force du moteur	L1	Fixe à 40 %	Après le démarrage du moteur, règle la force pour l'adapter au poids du portail. Le système de contrôle mesure aussi la température ambiante en augmentant automatiquement la force en cas de températures particulièrement basses.
		L2	Fixe à 50 %	
		L3	Fixe à 60 %	
		L4	Fixe à 80 %	
		L5	Fixe à 100 %	
		L6	Semi-automatique 1 = 40 ÷ 100% (1)	
		L7	Semi-automatique 2 = 60 ÷ 100% (1)	
		L8	Automatique = 0 ÷ 100% (2)	

LED d'entrée	Paramètre	LED (niveau)	Valeur	Description
L6	Ouverture partielle	L1	0,5 mt	Règle la mesure de l'ouverture partielle. L'ouverture partielle peut se commander uniquement avec la 2e commande radio ou bien avec «FERMETURE», si la fonction est présente, «fermeture» devient alors «ouverture partielle».
		L2	1 mt	
		L3	1,5 mt	
		L4	2 mt	
		L5	2,5 mt	
		L6	3 mt	
		L7	3,4 mt	
		L8	4 mt	
L7	Avis de maintenance	L1	Automatique (suivant la charge de travail des manœuvres)	Règle le nombre de manœuvres au bout duquel il faut signaler la demande de maintenance de l'automatisme (voir paragraphe 7.4.4 «Avis de maintenance»).
		L2	2.000	
		L3	4.000	
		L4	7.000	
		L5	10.000	
		L6	15.000	
		L7	20.000	
		L8	30.000	
L8	Liste des anomalies	L1	Résultat 1 ^{er} manœuvre (la plus récente)	Permet de vérifier le type d'anomalie qui s'est vérifiée au cours des 8 dernières manœuvres (voir paragraphe 7.6.1 «Historique des anomalies»).
		L2	Résultat 2 ^e manœuvre	
		L3	Résultat 3 ^e manœuvre	
		L4	Résultat 4 ^e manœuvre	
		L5	Résultat 5 ^e manœuvre	
		L6	Résultat 6 ^e manœuvre	
		L7	Résultat 7 ^e manœuvre	
		L8	Résultat 8 ^e manœuvre	

Note: "■" représente le réglage fait en usine.

Note (1): règle automatiquement la force nécessaire en maintenant un niveau minimum de force garantie.

Note (2): règle automatiquement la force nécessaire.

Tous les paramètres peuvent être réglés suivant les préférences sans aucune contre-indication; seuls les réglages de la sensibilité de détection des obstacles et du contrôle de la force du moteur pourraient demander une attention particulière:

- Il est déconseillé d'utiliser des valeurs de force élevées pour compenser le fait que le portail a des points de friction anormaux; une force excessive peut compromettre le fonctionnement du système de sécurité ou endommager le portail.
- Si le contrôle de la sensibilité de détection des obstacles est utilisé comme soutien du système pour la réduction de la force d'impact, après chaque réglage, répéter la mesure de la force, comme le prévoit la norme EN 12445.
- L'usage et les conditions atmosphériques peuvent influencer le mouvement du portail, périodiquement il faut reconstrôler le réglage de la force.

7.2.4) Programmation du deuxième niveau (paramètres réglables)

En usine, les paramètres réglables sont réglés comme l'illustre le tableau 9 avec: «■» mais ils peuvent être modifiés à tout moment comme l'indique le tableau 10. Faire attention dans l'exécution de la procédure car il y a un temps maximum de 10 s entre la pression d'une touche et l'autre, autrement la procédure se termine automatiquement en mémorisant les modifications faites jusqu'à ce moment-là.

Tableau 10: pour changer les paramètres réglables		Exemple
1.	Presser et maintenir enfoncée la touche [Set] pendant environ 3 s.	 3s
2.	Relâcher la touche [Set] quand la LED L1 commence à clignoter.	
3.	Presser les touches [▲] ou [▼] pour déplacer la LED clignotante sur la «LED d'entrée» qui correspond au paramètre à modifier.	
4.	Presser et maintenir enfoncée la touche [Set] , la pression doit être maintenue sur la touche [Set] pendant toute la durée des phases 5 et 6.	
5.	Attendre environ 3 s puis la LED qui correspond au niveau actuel du paramètre à modifier s'allumera.	
6.	Presser les touches [▲] ou [▼] pour déplacer la LED qui correspond à la valeur du paramètre.	
7.	Relâcher la touche [Set] .	
8.	Attendre 10 s pour sortir de la programmation pour temps maximum écoulé.	 10s

Note: les points 3 à 7 peuvent être répétés au cours de la même phase de programmation pour régler plusieurs paramètres.

7.2.5 Exemple de programmation de premier niveau (fonctions ON-OFF)

Comme exemple nous indiquons les diverses opérations à effectuer pour modifier le réglage des fonctions fait en usine pour activer les fonctions de «fermeture automatique» (L1) et «ferme toujours» (L3).

	Exemple
1. Presser et maintenir enfoncée la touche [Set] pendant environ 3 s.	 3s
2. Relâcher la touche [Set] quand la LED L1 commence à clignoter.	 L1 
3. Presser une fois la touche [Set] pour changer l'état de la fonction associée à L1 (fermeture automatique), maintenant la LED L1 clignote avec un clignotement long.	  L1
4. Presser 2 fois la touche [▼] pour déplacer la LED clignotante sur la LED L3.	  L3
5. Presser une fois la touche [Set] pour changer l'état de la fonction associée à L3 (Ferme toujours), maintenant la LED L3 clignote avec un clignotement long.	  L3
6. Attendre 10 s pour sortir de la programmation pour temps maximum écoulé.	 10s

À la fin de ces opérations, les LED L1 et L3 doivent rester allumées pour indiquer que les fonctions de «fermeture automatique» et «ferme toujours» sont actives.

7.2.6 Exemple de programmation de deuxième niveau (paramètres réglables)

Comme exemple nous indiquons les diverses opérations à effectuer pour modifier le réglage des paramètres effectué en usine en augmentant le «temps de pause» jusqu'à 60 s (entrée sur L1 et niveau sur L5) et en réduisant le «contrôle du couple» à 60 % (entrée sur L5 et niveau sur L3).

	Exemple
1. Presser et maintenir enfoncée la touche [Set] pendant environ 3 s.	 3s
2. Relâcher la touche [Set] quand la LED L1 commence à clignoter.	 L1 
3. Presser et maintenir enfoncée la touche [Set] ; la pression sur la touche [Set] doit être maintenue pendant toute la durée des phases 4 et 5.	
4. Attendre environ 3 s jusqu'à l'allumage de la LED L3 qui correspond au niveau actuel du «temps de pause».	 L3 3s
5. Presser 2 fois la touche [▼] pour déplacer la LED allumée sur L5 qui représente la nouvelle valeur du «temps de pause».	  L5
6. Relâcher la touche [Set] .	
7. Presser 4 fois la touche [▼] pour déplacer la LED clignotante sur la LED L5.	  L5
8. Presser et maintenir enfoncée la touche [Set] ; la pression sur la touche [Set] doit être maintenue pendant toute la durée des phases 9 et 10.	
9. Attendre environ 3 s jusqu'à l'allumage de la LED L5 qui correspond au niveau actuel du contrôle du «couple moteur».	3s  L5
10. Presser 2 fois la touche [▲] pour déplacer la LED allumée sur L3 qui correspond à la nouvelle valeur du contrôle du «couple moteur».	  L3
11. Relâcher la touche [Set] .	
12. Attendre 10 s pour sortir de la programmation pour temps maximum écoulé.	 10s

7.3 Ajout ou retrait de dispositifs

Il est possible d'ajouter ou d'enlever, à tout moment, des dispositifs sur un automatisme avec RUN. En particulier, il est possible de connecter à «BLUEBUS» et à l'entrée «STOP» différents types de dispositifs comme l'indiquent les paragraphes suivants.

Après avoir ajouté ou enlevé des dispositifs, il faut procéder de nouveau à la reconnaissance des dispositifs suivant les indications du paragraphe 7.3.6 «Reconnaissance d'autres dispositifs».

7.3.1) BlueBUS

BlueBUS est une technique qui permet d'effectuer les connexions des dispositifs compatibles avec seulement deux conducteurs sur lesquels transitent aussi bien l'alimentation électrique que les signaux de communication. Tous les dispositifs sont connectés en parallèle sur les 2 mêmes conducteurs de BlueBUS sans devoir respecter une polarité quelconque; chaque dispositif est reconnu individuellement car au cours de l'installation le système lui attribue une adresse univoque. Il est possible de connecter à BlueBUS, par exemple: des photocellules, des

dispositifs de sécurité, des boutons de commande, des voyants de signalisation, etc.. La logique de commande de RUN reconnaît un par un tous les dispositifs connectés à travers une procédure de reconnaissance ad hoc et est en mesure de détecter de manière extrêmement sûre toutes les éventuelles anomalies. Pour cette raison, chaque fois qu'un dispositif connecté à BlueBUS est ajouté ou enlevé, il faut effectuer dans la logique la procédure de reconnaissance décrite dans le paragraphe 7.2.4 «Reconnaissance d'autres dispositifs».

7.3.2) Entrée STOP

STOP est l'entrée qui provoque l'arrêt immédiat de la manœuvre suivi d'une brève inversion. On peut connecter à cette entrée des dispositifs avec sortie à contact normalement ouvert «NO», normalement fermé «NF» ou des dispositifs avec sortie à résistance constante 8,2kΩ, par exemple des bords sensibles.

Comme pour BlueBUS, la logique reconnaît le type de dispositif connecté à l'entrée STOP durant la phase de reconnaissance (voir paragraphe 7.3.6 «Reconnaissance d'autres dispositifs»); ensuite on a un arrêt quand une variation quelconque se vérifie par rapport à l'état reconnu.

En adoptant certaines solutions, on peut connecter à l'entrée STOP plusieurs dispositifs, même de type différent:

- Plusieurs dispositifs NO peuvent être connectés les uns aux autres en parallèle sans aucune limite de nombre.
- Plusieurs dispositifs NF peuvent être connectés les uns aux autres en série sans aucune limite de nombre;

- Deux dispositifs avec sortie à résistance constante 8,2kΩ peuvent être connectés en parallèle; s'il y a plus de 2 dispositifs, tous doivent être connectés en «cascade» avec une seule résistance terminale de 8,2kΩ;
- Il est possible de combiner NO et NF en mettant les deux contacts en parallèle, en prenant la précaution de mettre en série au contact NF une résistance de 8,2kΩ (cela donne aussi la possibilité de combiner 3 dispositifs: NO, NF et 8,2kΩ).

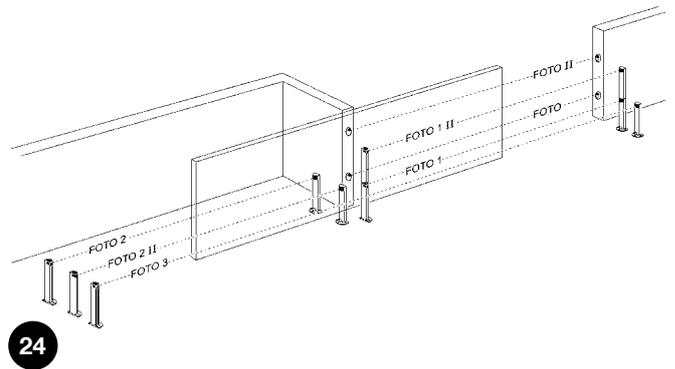
⚠ Si l'entrée STOP est utilisée pour connecter des dispositifs ayant des fonctions de sécurité, seuls les dispositifs avec sortie à résistance constante 8,2kΩ garantissent la catégorie 3 de sécurité aux pannes selon la norme EN 954-1.

7.3.3) Photocellules

Le système «BlueBUS» permet, à travers l'adressage avec les cavaliers prévus à cet effet, la reconnaissance des photocellules de la part de la logique et d'attribuer la fonction de détection correcte. L'opération d'adressage doit être faite aussi bien sur TX que sur RX (en plaçant les cavaliers de la même manière) en vérifiant qu'il n'y a pas d'autres paires de photocellules ayant la même adresse.

Dans un automatisme pour portails coulissants équipé de l'opérateur RUN, il est possible d'installer les photocellules suivant les indications de la figure 24.

Après l'installation ou l'enlèvement de photocellules, il faudra effectuer dans la logique la phase de reconnaissance comme le décrit le paragraphe 7.3.6 «Reconnaissance d'autres dispositifs».



24

Tableau 13: adresses des photocellules

Photocellule	Cavaliers	Photocellule	Cavaliers
PHOTO Photocellule extérieure h = 50 avec intervention en fermeture		PHOTO 2 Photocellule extérieure avec intervention en ouverture	
PHOTO II Photocellule extérieure h = 100 avec intervention en fermeture		PHOTO 2 II Photocellule intérieure avec intervention en ouverture	
PHOTO 1 Photocellule intérieure h = 50 avec intervention en fermeture		PHOTO 3 Photocellule unique qui couvre tout l'automatisme	
PHOTO 1 II Photocellule intérieure h = 100 avec intervention en fermeture		<p>⚠ L'installation de PHOTO 3 avec PHOTO II demande que la position des éléments qui composent la photocellule (TX-RX) respecte la recommandation donnée dans la notice technique des photocellules.</p>	

7.3.4) Photodétecteur FT210B

Le photodétecteur FT210B réunit dans un seul dispositif un système de limitation de la force (type C suivant la norme EN12453) et un détecteur de présence qui détecte les obstacles présents sur l'axe optique entre l'émetteur TX et le récepteur RX (type D suivant la norme EN12453). Dans le photodétecteur FT210B, les signaux de l'état du bord sensible sont envoyés à travers le rayon de la photocellule en intégrant les 2 systèmes dans un seul dispositif. La partie émettrice située sur le tablier est alimentée par des batteries, ce qui permet d'éliminer les systèmes de connexion, peu esthétiques; les circuits spéciaux réduisent la consommation de la batterie pour garantir jusqu'à 15 ans de durée (voir les détails sur la durée estimée dans les instructions du produit).

Un seul dispositif FT210B associé à un bord sensible (TCB65 par exemple) permet d'atteindre le niveau de sécurité du «bord primaire» requis par la norme EN12453 pour n'importe quel «type d'utilisation» et «type d'activation».

Le photodétecteur FT210B associé aux bords sensibles «à variation de résistance» (8,2kΩ), maintient la sécurité en cas de défaut unique (catégorie 3 suivant la norme EN 954-1). Il dispose d'un circuit anticollision qui évite les interférences avec d'autres détecteurs même s'ils ne sont pas synchronisés et permet d'ajouter d'autres photocellules; par exemple, en cas de passage de véhicules lourds où l'on place normalement une deuxième photocellule à 1 m du sol. Pour tout renseignement supplémentaire sur les modalités de connexion et d'adressage, voir la notice technique de FT210B.

7.3.5) RUN en mode «Slave»

Si on le programme et si on le connecte de manière spécifique, RUN peut fonctionner en mode «Slave» (esclave); ce mode de fonctionnement est utilisé s'il faut automatiser 2 parties mobiles opposées et si l'on souhaite que leur mouvement s'effectue de manière synchronisée. Dans ce mode, un opérateur RUN fonctionne comme Master (maître) c'est-à-dire qu'il commande les manœuvres, tandis que le deuxième opérateur RUN fonctionne comme Slave (esclave), c'est-à-dire qu'il exécute les commandes envoyées par le maître (par défaut, tous les RUN sortent de l'usine en mode Master).

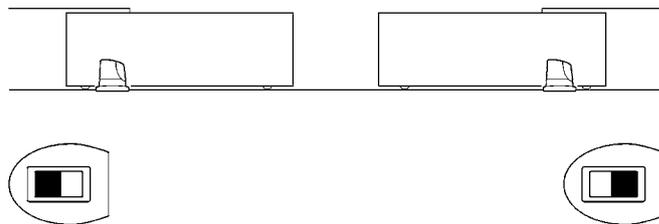
Pour configurer le RUN comme Slave, il faut activer la fonction de premier niveau «mode Slave» (voir tableau 7).

La connexion entre le RUN Master et le RUN Slave s'effectue par BlueBUS.

⚠ Dans ce cas il faut respecter la polarité dans la connexion entre les deux RUN comme l'illustre la figure 26 (les autres dispositifs continuent à ne pas avoir de polarité).

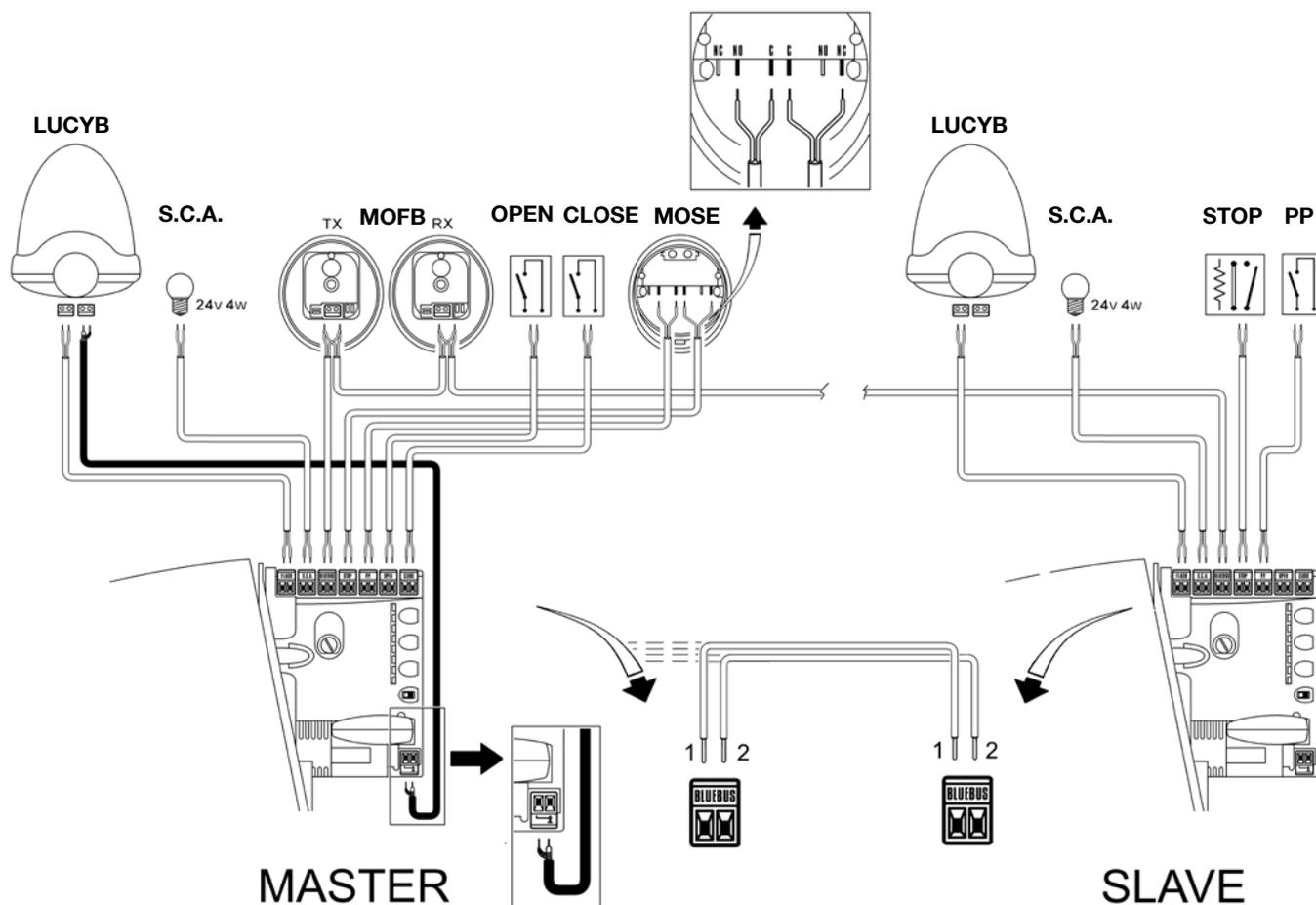
Pour installer 2 RUN en mode Master et Slave, effectuer les opérations suivantes:

- Effectuer l'installation des 2 moteurs comme l'illustre la figure 25. On peut choisir l'un ou l'autre moteur comme Master et comme Slave; dans le choix, il faut tenir compte de la commodité des connexions et du fait que la commande Pas à pas sur le Slave permet l'ouverture totale uniquement de la partie commandée par le moteur Slave.



25

- Connecter les 2 moteurs comme sur la figure 26;
- Sélectionner le sens de la manœuvre d'ouverture des 2 moteurs comme l'indique le paragraphe 4.1 «Sélection de la direction»;
- Alimenter les 2 moteurs;
- Dans le RUN Slave, programmer la fonction «mode Slave» (voir tableau 7);
- Effectuer la reconnaissance des dispositifs sur le RUN Slave (voir paragraphe 4.3 «Reconnaissance des dispositifs»);
- Effectuer la reconnaissance des dispositifs sur le RUN Master (voir paragraphe 4.3 «Reconnaissance des dispositifs»);
- Effectuer la reconnaissance de la longueur des parties mobiles du portail sur le RUN Master (voir paragraphe 4.4 «Reconnaissance de la longueur du tablier»).



26

Lors de la connexion de 2 RUN en mode Master - Slave, faire attention aux points suivants:

- Tous les dispositifs doivent être connectés sur le RUN Master (comme sur la fig. 26) y compris le récepteur radio;
- Toutes les programmations sur le RUN Slave sont ignorées (celles du RUN Master prédominent) sauf celles qui figurent dans le tableau 14.

Tableau 14: programmations sur le RUN Slave indépendantes du RUN Master

Fonctions de premier niveau (fonctions ON-OFF)	Fonctions de deuxième niveau (paramètres réglables)
Stand-by	Sensibilité de détection des obstacles
Démarrage	Sortie S.C.A.
Mode Slave	Contrôle du couple moteur
	Liste des anomalies

Sur le Slave, il est possible de connecter:

- un clignotant spécifique (Flash);
- un voyant portail ouvert (S.C.A.) spécifique;
- un bord sensible (Stop) spécifique;

- Un dispositif de commande (P.P.) spécifique qui commande l'ouverture totale uniquement de la partie Slave;
- Sur le Slave, les entrées Open et Close ne sont pas utilisées.

7.3.6) Reconnaissance d'autres dispositifs

Normalement la procédure de reconnaissance des dispositifs connectés à BlueBUS et à l'entrée STOP est effectuée durant la phase d'installation; toutefois si des dispositifs sont ajoutés ou enlevés, il est possible de refaire la reconnaissance en procédant de la manière suivante:

Tableau 15: pour la reconnaissance d'autres dispositifs

	Exemple
1. Presser et maintenir enfoncées les touches [▲] et [Set]	
2. Relâcher les touches quand les LED L1 et L2 commencent à clignoter très rapidement (au bout d'environ 3 s);	
3. Attendre quelques secondes que la logique termine la reconnaissance des dispositifs;	
4. À la fin de la reconnaissance, les LED L1 et L2 arrêteront de clignoter, la LED STOP doit rester allumée, tandis que les LED L1...L8 s'allumeront suivant l'état des fonctions ON-OFF auxquelles elles correspondent.	

▲ Après avoir ajouté ou enlevé des dispositifs, il faut effectuer de nouveau l'essai de l'automatisme suivant les indications du paragraphe 5.1 «Essai».

7.4) Fonctions particulières

7.4.1) Fonction «ouvre toujours»

La fonction «ouvre toujours» est une propriété de la logique de commande qui permet de commander toujours une manœuvre d'ouverture quand la commande de «pas à pas» a une durée supérieure à 2 secondes; c'est utile par exemple pour connecter à la borne P.P.

le contact d'une horloge de programmation pour maintenir le portail ouvert pendant une certaine plage horaire. Cette propriété est valable quelle que soit la programmation de l'entrée P.P. à l'exclusion de la programmation comme «fonctionnement collectif»; voir paramètre «fonction P.P.» dans le tableau 9.

7.4.2) Fonction «manœuvre dans tous les cas»

Si un dispositif de sécurité quelconque fonctionne mal ou tombe en panne, il est possible dans tous les cas de commander et de manœuvrer le portail en mode «commande par action maintenue».

Pour tout détail, voir le paragraphe «Commande avec les dispositifs de sécurité hors d'usage» présent dans les «Instructions et recommandations destinées à l'utilisateur de l'opérateur RUN» ci-jointes.

7.4.3) Système de contrôle du chauffage et du refroidissement

RUN dispose d'un système de contrôle de la température du moteur. La valeur de la température interne de RUN est relevée par un capteur spécial et utilisée pour la gestion du système de climatisation qui est en mesure de chauffer le moteur quand la température extérieure des-

cepend au-dessous du seuil de 0 °C environ (si la fonction de «Chauffage» a été activée au moyen de l'unité de programmation à distance «OperaView») ou d'accélérer le refroidissement du moteur quand la température dépasse 40 °C environ.

7.4.4) Avis de maintenance

RUN permet d'aviser l'utilisateur quand il faut procéder à la maintenance de l'automatisme. Le nombre de manœuvres au bout duquel s'effectue la signalisation est sélectionnable parmi 8 niveaux, avec le paramètre réglable «Avis de maintenance» (voir tableau 9). Le niveau 1 de réglage est «automatique» et tient compte de l'intensité et des conditions des manœuvres, c'est-à-dire de l'effort et de la durée de la manœuvre, tandis que les autres réglages sont fixés

en fonction du nombre de manœuvres.

La signalisation de demande de maintenance s'effectue à travers le clignotant Flash ou bien sur le voyant connecté à la sortie S.C.A. quand il est programmé comme «voyant maintenance» (voir tableau 9). Suivant le nombre de manœuvres effectuées par rapport à la limite programmée, le clignotant Flash et le voyant de maintenance donnent les signalisations indiquées dans le tableau 16.

Tableau 16: avis de maintenance avec Flash et voyant de maintenance

Nombre de manœuvres	Signalisation sur Flash	Signalisation sur voyant maintenance
Inférieur à 80 % de la limite	Normal (0,5 s allumé, 0,5 s éteint)	Allumé pendant 2 s au début de l'ouverture.
Entre 81 et 100 % de la limite	Au début de la manœuvre, il reste allumé pendant 2 s puis continue normalement.	Clignote pendant toute la manœuvre.
Au-delà de 100 % de la limite	Au début et à la fin de la manœuvre, il reste allumé pendant 2 s puis continue normalement.	Clignote constamment.

Vérification du nombre de manœuvres effectuées.

Avec la fonction d'«Avis de maintenance», il est possible de vérifier le nombre de manœuvres effectuées en pourcentage sur la limite fixée. Pour la vérification, procéder suivant la description du tableau 17.

Tableau 17: vérification du nombre de manœuvres effectuées		Exemple
1.	Presser et maintenir enfoncée la touche [Set] pendant environ 3 s.	 3s
2.	Relâcher la touche [Set] quand la LED L1 commence à clignoter.	 L1 
3.	Presser les touches [▲] ou [▼] pour déplacer la LED clignotante sur L7, c'est-à-dire la «LED d'entrée» qui correspond au paramètre «Avis de maintenance».	 ou   L7
4.	Presser et maintenir enfoncée la touche [Set] , la pression doit être maintenue sur la touche [Set] pendant toute la durée des phases 5, 6 et 7.	
5.	Attendre environ 3 s puis la LED qui représente le niveau actuel du paramètre «Avis de maintenance» s'allumera.	 3s
6.	Presser puis relâcher immédiatement les touches [▲] et [▼] .	 et 
7.	La LED correspondant au niveau sélectionné émettra quelques clignotements. Le nombre de clignotements identifie le pourcentage de manœuvres effectuées (en multiples de 10 %) par rapport à la limite programmée. Par exemple: avec l'avis de maintenance programmé sur L5, c'est-à-dire 10 000, 10 % correspond à 1 000 manœuvres; si la LED de signalisation émet 4 clignotements, cela signifie que l'on a atteint 40 % des manœuvres (c'est-à-dire entre 4 000 et 4 999 manœuvres). Si l'on n'a pas atteint 10 % des manœuvres, il n'y aura aucun clignotement.	  ...  n=?
8.	Relâcher la touche [Set]	

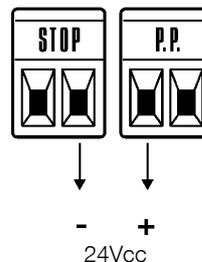
Mise à zéro du compteur des manœuvres

Après avoir effectué la maintenance de l'installation, il faut mettre à zéro le compteur des manœuvres. Procéder suivant les indications du tableau 18.

Tableau 18: Mise à zéro du compteur des manœuvres		Exemple
1.	Presser et maintenir enfoncée la touche [Set] pendant environ 3 s.	 3s
2.	Relâcher la touche [Set] quand la LED L1 commence à clignoter.	 L1 
3.	Presser les touches [▲] ou [▼] pour déplacer la LED clignotante sur L7, c'est-à-dire la «LED d'entrée» qui correspond au paramètre «Avis de maintenance».	 ou   L7
4.	Presser et maintenir enfoncée la touche [Set] , la pression doit être maintenue sur la touche [Set] pendant toute la durée des phases 5 et 6.	
5.	Attendre environ 3 s puis la LED qui représente le niveau actuel du paramètre «Avis de maintenance» s'allumera.	 3s
6.	Presser et maintenir enfoncées les touches [▲] et [▼] pendant au moins 5 s puis relâcher les 2 touches. La LED correspondant au niveau sélectionné effectuera une série de clignotements rapides pour signaler que le compteur des manœuvres a été mis à zéro.	 et  
7.	Relâcher la touche [Set]	

7.5) Connexion d'autres dispositifs

S'il est nécessaire d'alimenter des dispositifs extérieurs, par exemple un lecteur de proximité pour cartes à transpondeur ou bien l'éclairage du sélecteur à clé, il est possible de prélever l'alimentation comme l'indique la figure 27. La tension d'alimentation est de 24 Vcc - 30 % ÷ + 50 % avec courant maximum disponible de 100 mA.



7.6) Résolution des problèmes

Dans le tableau 19, on peut trouver des indications utiles pour affronter les éventuels problèmes de fonctionnement pouvant se vérifier durant l'installation ou en cas de panne.

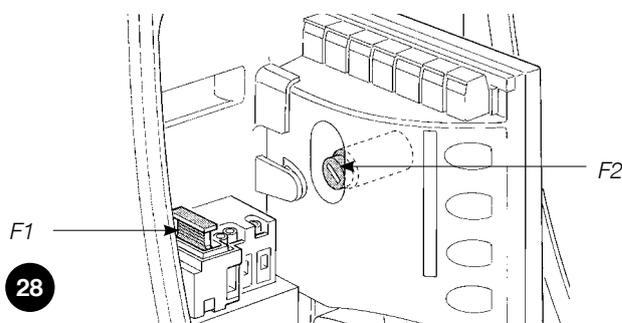


Tableau 19: recherche des pannes.

Symptômes	Vérifications conseillées
L'émetteur radio ne commande pas le portail et la LED sur l'émetteur ne s'allume pas.	Vérifier si les piles de l'émetteur sont déchargées et si besoin les remplacer.
L'émetteur radio ne commande pas le portail mais la LED sur l'émetteur s'allume.	Vérifier si l'émetteur est correctement mémorisé dans le récepteur radio.
Aucune manœuvre n'est commandée et la LED «BLUEBUS» ne clignote pas.	Vérifier que RUN est alimenté à la tension de secteur. Vérifier que les fusibles ne sont pas interrompus; si c'est le cas, vérifier la cause de la panne et les remplacer par d'autres ayant la même valeur de courant et les mêmes caractéristiques.
Aucune manœuvre n'est commandée et le clignotant est éteint.	Vérifier que la commande est effectivement reçue. Si la commande arrive à l'entrée PP la LED «PP» correspondante doit s'allumer; si par contre on utilise l'émetteur radio, la LED «Bluebus» doit émettre deux clignotements rapides.
Aucune manœuvre n'est commandée et le clignotant émet quelques clignotements.	Compter le nombre de clignotements et vérifier suivant les indications du tableau 21.
La manœuvre commence mais juste après une inversion se produit.	La sensibilité de détection des obstacles sélectionnée pourrait être trop élevée pour le type de portail. Vérifier s'il y a des obstacles et sélectionner éventuellement une sensibilité inférieure.
La manœuvre est effectuée régulièrement mais le clignotant ne fonctionne pas.	Vérifier que durant la manœuvre la tension arrive à la borne FLASH du clignotant (comme il est intermittent, la valeur de tension n'est pas significative: environ 10-30 Vcc); si la tension arrive, le problème est dû à l'ampoule qui devra être remplacée par une autre de caractéristiques identiques; s'il n'y a pas de tension, il pourrait y avoir un problème de surcharge sur la sortie FLASH, vérifier qu'il n'y a pas de court-circuit sur le câble.
La manœuvre est effectuée régulièrement mais le voyant SCA ne fonctionne pas.	Vérifier le type de fonction programmée pour la sortie SCA (L4 sur le tableau 9). Quand le voyant doit normalement être allumé, vérifier que la tension arrive à la borne SCA (environ 24 Vcc); si la tension arrive, le problème est dû au voyant qui devra être remplacé par un autre de caractéristiques identiques; s'il n'y a pas de tension, il pourrait y avoir un problème de surcharge sur la sortie SCA, vérifier qu'il n'y a pas de court-circuit sur le câble.

7.6.1) Historique des anomalies

RUN permet d'afficher les éventuelles anomalies qui se sont vérifiées lors des 8 dernières manœuvres, par exemple, l'interruption d'une manœuvre due à l'intervention d'une photocellule ou d'un bord sensible. Pour vérifier la liste des anomalies, procéder suivant les indications du tableau 20.

Tableau 20: historique des anomalies

	Exemple
1. Presser et maintenir enfoncée la touche [Set] pendant environ 3 s.	3s
2. Relâcher la touche [Set] quand la LED L1 commence à clignoter.	L1 SET
3. Presser les touches [▲] ou [▼] pour déplacer la LED clignotante sur L8, c'est-à-dire la «LED d'entrée» pour le paramètre «Liste des anomalies».	L8
4. Presser et maintenir enfoncée la touche [Set] , la pression doit être maintenue sur la touche [Set] pendant toute la durée des phases 5 et 6.	SET
5. Attendre environ 3 s puis les LED correspondant aux manœuvres qui ont eu des anomalies s'allumeront. La LED L1 indique le résultat de la manœuvre la plus récente, la LED L8 indique le résultat de la huitième. Si la LED est allumée, cela signifie que des anomalies se sont vérifiées durant la manœuvre; si la LED est éteinte, cela signifie que la manœuvre s'est terminée sans anomalies.	3s
6. Presser les touches [▲] et [▼] pour sélectionner la manœuvre désirée. La LED correspondante émettra un nombre de clignotements égal à ceux qui sont exécutés normalement par le clignotant après une anomalie (voir tableau 21).	et
7. Relâcher la touche [Set] .	SET

7.7) Diagnostic et signalisations

Certains dispositifs offrent directement des signalisations particulières à travers lesquelles il est possible de reconnaître l'état de fonctionnement ou l'éventuel problème.

7.7.1) Signalisations avec le clignotant

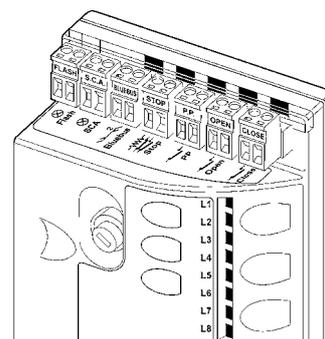
Durant la manœuvre, l'indicateur clignotant FLASH émet un clignotement toutes les secondes; quand des anomalies se vérifient, les clignotements sont plus brefs; les clignotements se répètent deux fois, à intervalles d'une seconde.

Tableau 21: signalisations sur le clignotant FLASH

Clignotements rapides	Cause	ACTION
1 clignotement pause d'1 seconde 1 clignotement	Erreur sur le BlueBUS	Au début de la manœuvre, la vérification des dispositifs connectés à BLUEBUS ne correspond pas à ceux qui sont mémorisés durant la phase de reconnaissance. Il peut y avoir des dispositifs en panne, vérifier et remplacer; si des modifications ont été faites, il faut refaire la reconnaissance (7.3.4 Reconnaissance d'autres dispositifs).
2 clignotements pause d'1 seconde 2 clignotements	Intervention d'une photocellule	Au début de la manœuvre une ou plusieurs photodétectrices nient l'autorisation à la manœuvre, vérifier si elles sont occultées par un obstacle. Durant le mouvement il est normal qu'un obstacle soit présent.
3 clignotements pause d'1 seconde 3 clignotements	Intervention de la «détection d'obstacles»	Durant le mouvement, le portail a rencontré une friction plus forte; en vérifier la cause.
4 clignotements pause d'1 seconde 4 clignotements	Intervention de l'entrée STOP	Au début de la manœuvre ou durant le mouvement, il y a eu une intervention de l'entrée de STOP; en vérifier la cause.
5 clignotements pause d'1 seconde 5 clignotements	Erreur dans les paramètres internes de la logique électronique	Au début de la manœuvre ou durant le mouvement, il y a eu une intervention de l'entrée de STOP; en vérifier la cause.
6 clignotements pause d'1 seconde 6 clignotements	La limite maximum du nombre de manœuvres à l'heure a été dépassée.	Attendre quelques minutes que le limiteur de manœuvres retourne sous la limite maximum.
7 clignotements pause d'1 seconde 7 clignotements	Erreur dans les circuits électriques internes	Déconnecter tous les circuits d'alimentation pendant quelques secondes puis tenter de redonner une commande; si l'état persiste, il pourrait y avoir une panne grave et il faut remplacer la carte électronique.
8 clignotements pause d'1 seconde 8 clignotements	Il y a déjà une commande qui ne permet pas d'en exécuter d'autres.	Vérifier la nature de la commande toujours présente; par exemple, il peut s'agir de la commande provenant d'une horloge sur l'entrée «ouverture».

7.7.2) Signalisations sur la logique de commande

Dans la logique de RUN, il y a une série de LED qui peuvent donner chacune des signalisations particulières aussi bien dans le fonctionnement normal qu'en cas d'anomalie.



29

Tableau 22: LED sur les bornes de la logique

Led BLUEBUS	Cause	ACTION
Éteinte	Anomalie	Vérifier si l'alimentation arrive; vérifier si les fusibles sont intervenus; si c'est le cas, vérifier la cause de la panne et remplacer les fusibles par d'autres ayant les mêmes caractéristiques.
Allumée	Anomalie grave	Il y a une anomalie grave; essayer d'éteindre la logique pendant quelques secondes; si l'état persiste, il y a une panne et il faut remplacer la carte électronique.
Un clignotement à la seconde	Tout est OK.	Fonctionnement normal de la logique
2 clignotements rapides	Il y a eu une variation de l'état des entrées.	C'est normal quand il y a un changement de l'une des entrées: PP, STOP, OPEN, CLOSE, intervention des photodétectrices ou quand on utilise l'émetteur radio
Série de clignotements séparés par une pause d'une seconde	Diverses	C'est la même signalisation que celle du clignotant, voir le tableau 21.
Led STOP	Cause	ACTION
Éteinte	Intervention de l'entrée STOP	Vérifier les dispositifs connectés à l'entrée STOP.
Allumée	Tout est OK.	Entrée STOP active
Led P.P.	Cause	ACTION
Éteinte	Tout est OK.	Entrée PP non active
Allumée	Intervention de l'entrée PP	C'est normal si le dispositif connecté à l'entrée PP est effectivement actif.
Led OUVERTURE	Cause	ACTION
Éteinte	Tout est OK.	Entrée OUVERTURE non active
Allumée	Intervention de l'entrée OPEN	C'est normal si le dispositif connecté à l'entrée OUVERTURE est effectivement actif.
Led FERMETURE	Cause	ACTION
Éteinte	Tout est OK.	Entrée FERMETURE non active
Allumée	Intervention de l'entrée de CLOSE	C'est normal si le dispositif connecté à l'entrée FERMETURE est effectivement actif.

Tableau 23: LED sur les touches de la logique

Led 1	Description
Éteinte	Durant le fonctionnement normal elle indique fonction «fermeture automatique» non active.
Allumée	Durant le fonctionnement normal, elle indique: fonction «fermeture automatique» active.
Clignote	<ul style="list-style-type: none"> • Programmation des fonctions en cours • Si elle clignote en même temps que L2 cela signifie qu'il faut effectuer la reconnaissance des dispositifs (voir paragraphe 4.3 «Reconnaissance des dispositifs»).
Led L2	Description
Éteinte	Durant le fonctionnement normal, elle indique: fonction «refermeture après passage devant la photocellule» non active.
Allumée	Durant le fonctionnement normal elle indique: fonction «refermeture après passage devant la photocellule» active.
Clignote	<ul style="list-style-type: none"> • Programmation des fonctions en cours • Si elle clignote en même temps que L1 cela signifie qu'il faut effectuer la reconnaissance des dispositifs (voir paragraphe 4.3 «Reconnaissance des dispositifs»).
Led L3	Description
Éteinte	Durant le fonctionnement normal, elle indique: fonction «ferme toujours» non active.
Allumée	Durant le fonctionnement normal, elle indique: fonction «ferme toujours» active.
Clignote	<ul style="list-style-type: none"> • Programmation des fonctions en cours • Si elle clignote en même temps que L4 cela signifie qu'il faut effectuer la reconnaissance de la longueur du tablier (voir paragraphe 4.4 «Reconnaissance de la longueur du tablier»).
Led L4	Description
Éteinte	Durant le fonctionnement normal, elle indique: fonction «stand-by» non active.
Allumée	Durant le fonctionnement normal, elle indique: fonction «stand-by» active.
Clignote	<ul style="list-style-type: none"> • Programmation des fonctions en cours • Si elle clignote en même temps que L3, cela signifie qu'il faut effectuer la reconnaissance de la longueur du tablier (voir paragraphe 4.4 «Reconnaissance de la longueur du tablier»).
Led L5	Description
Éteinte	Durant le fonctionnement normal, elle indique: fonction «démarrage» non active.
Allumée	Durant le fonctionnement normal, elle indique: fonction «démarrage» active.
Clignote	Programmation des fonctions en cours
Led L6	Description
Éteinte	Durant le fonctionnement normal, elle indique: fonction «Préclignotement» non active.
Allumée	Durant le fonctionnement normal, elle indique: fonction «Préclignotement» active.
Clignote	Programmation des fonctions en cours
Led L7	Description
Éteinte	Durant le fonctionnement normal, elle indique que l'entrée FERMETURE active une manœuvre de fermeture.
Allumée	Durant le fonctionnement normal, elle indique que l'entrée FERMETURE active une manœuvre d'ouverture partielle.
Clignote	Programmation des fonctions en cours
Led L8	Description
Éteinte	Durant le fonctionnement normal, elle indique que RUN est configuré comme Master.
Allumée	Durant le fonctionnement normal, elle indique que RUN est configuré comme Slave.
Clignote	Programmation des fonctions en cours

7.8) Accessoires

RUN peut être équipé des accessoires en option suivants:

- SMXI ou SMXIS: récepteur radio à 433,92 MHz avec codage numérique à code tournant (rolling code).
- ONEXI: récepteur radio à 433,92 MHz avec codage numérique à code tournant (rolling code); dispose du mode III pour envoyer 15

types de commandes à la logique de commande.

- OperaView: unité de programmation à distance. Consulter le catalogue des produits Nice S.p.a. pour la liste complète et à jour des accessoires.

7.8.1) Unité de programmation à distance

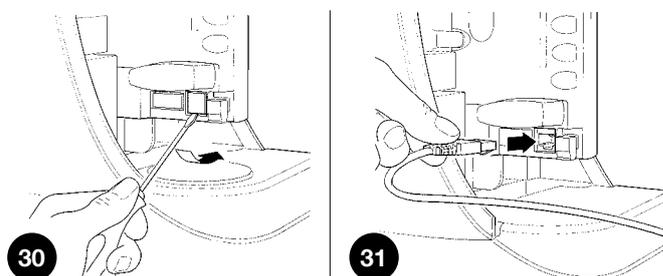
Il est possible de connecter au connecteur BusT4 spécifique (voir figure 30) l'unité de programmation à distance Oview qui garantit une gestion rapide et complète de l'installation, de la maintenance et du diagnostic des éventuels problèmes de fonctionnement; voir également 7.8.1 «Unité de programmation à distance».

Pour accéder au connecteur, il faut découper la membrane comme indiqué sur la figure 31. L'unité de programmation à distance peut être placée à distance de la logique de commande (jusqu'à 100 m de câble); elle peut être connectée à plusieurs logiques de commande en même temps (jusqu'à 16) et peut rester connectée même durant le fonctionnement normal de RUN; dans ce cas, un menu spécifique «utilisateur» permet d'envoyer les commandes à la logique de commande. Si, dans la logique de commande, est installé un récepteur radio type OXI ou OXIT, il est possible, à travers l'unité de programmation à distance d'accéder aux paramètres des émetteurs mémorisés. Pour ces fonctions, il faut un câble de connexion à 4 conducteurs (BusT4).

Il est possible également d'effectuer la mise à jour du micrologiciel

de la logique de commande RUN. D'autres informations sont fournies dans la notice technique du programmeur Oview.

IMPORTANT – Pour approfondir en détail toutes les fonctions du système NiceOpera et l'interdépendance des différents dispositifs du système, consulter le manuel général « NiceOpera System Book », disponible également sur le site internet www.niceforyou.com



8) Caractéristiques techniques

Dans le but d'améliorer ses produits, Nice S.p.a. se réserve le droit de modifier les caractéristiques techniques à tout moment et sans préavis, en garantissant dans tous les cas le bon fonctionnement et le type d'utilisation prévus.

Toutes les caractéristiques techniques se réfèrent à la température de 20 °C (± 5 °C).

Caractéristiques techniques RUN		
Modèle type	RUN 1800 - RUN 1800P - RUN 1800/V1	RUN 2500 - RUN 2500P
Typologie	Opérateur électromécanique pour le mouvement automatique de portails coulissants à usage industriel avec logique électronique de commande incorporée.	
Pignon	Nombre de dents: 18; module 4 *	
Couple maximum au démarrage [correspondant à la capacité de développer une force pour mettre en mouvement le tablier]	40Nm (1110N)	50Nm (1390N)
Couple nominal [correspondant à la capacité de développer une force pour maintenir en mouvement un tablier]	20Nm (560N)	30Nm (830N)
Vitesse (à vide)	10m/min (12m/min version /V1)	
Vitesse (au couple nominal)	7.4m/min (8.9m/min version /V1)	
Fréquence maximum des cycles de fonctionnement (au couple nominal)	11 cycles/heure (264 cycles/jour) pour un portail de 15 m (équivalent à un cycle de 63 %) (la logique limite les cycles au maximum prévu dans les tableaux 2 et 3)**	15 cycles/heure (365 cycles/jour) pour un portail de 15 m (équivalent à un cycle de 63 %) (la logique limite les cycles au maximum prévu dans les tableaux 2 et 3)**
Temps maximum de fonctionnement continu (au couple nominal)	40 minutes (la logique limite le fonctionnement continu au maximum prévu dans les tableaux 2 et 3)	60 minutes (la logique limite le fonctionnement continu au maximum prévu dans les tableaux 2 et 3)
Limites d'utilisation	Généralement RUN est en mesure d'automatiser des portails d'un poids ou d'une longueur suivant les limites prévues dans les tableaux 2, 3 et 4.	
Durabilité	Estimée entre 150.000 cycles et 450.000 cycles, suivant les conditions indiquées dans le tableau 4.	
Alimentation RUN 1800 - 2500	230Vac (+10% -15%) 50 Hz	
Alimentation RUN 1800/V1-2500/V1	120Vac (+10% -15%) 60 Hz	
Puissance maximum absorbée au démarrage [correspondant à ampères]	700 W [3 A] [5 A version /V1]	870 W [3.8 A]
Puissance au couple nominal [correspondant à ampères]	400 W [1.8 A] [3 A version /V1]	600 W [2.7 A]
Classe d'isolation	1 (la mise à la terre est nécessaire)	
Sortie clignotant	pour 2 clignotants LUCYB (Ampoule 12 V, 21 W).	
Sortie S.C.A.	pour 1 ampoule 24 V maximum 4 W (la tension de sortie peut varier de -30 à + 50 % et peut commander également des petits relais)	
Sortie BLUEBUS	Une sortie avec charge maximum de 15 unités BlueBus	
Entrée STOP	Pour contacts normalement fermés, normalement ouverts ou à résistance constante 8,2kΩ; en auto-apprentissage (une variation par rapport à l'état mémorisé provoque la commande «STOP»).	
Entrée PP	Pour contacts normalement ouverts (la fermeture du contact provoque la commande P.P.)	
Entrée OUVERTURE	Pour contacts normalement ouverts (la fermeture du contact provoque la commande OUVERTURE)	
Entrée FERMETURE	Pour contacts normalement ouverts (la fermeture du contact provoque la commande FERMETURE)	
Connecteur radio	Connecteur SM pour récepteurs type SMXI, SMXIS ou ONEXI	
Entrée ANTENNE radio	Entrée ANTENNE radio 52Ω pour câble type RG58 ou analogues	
Fonctions programmables	8 fonctions de type ON-OFF et 8 fonctions réglables (voir tableaux 7 et 9)	
Fonctions en auto-apprentissage	Auto-apprentissage des dispositifs connectés à la sortie BlueBUS Auto-apprentissage du type de dispositif de «STOP» (contact NO, NF ou résistance 8,2kΩ); auto-apprentissage de la longueur du portail et calcul des points de ralentissement et ouverture partielle.	
Température de fonctionnement	-20°C ÷ 50°C	
Utilisation dans une atmosphère particulièrement acide ou saline ou bien potentiellement explosive.	Non	
Indice de protection	IP 44	
Dimensions et poids	400 x 255 h 390; 24.5 kg	

* Pignon option à 12 dents module 6 disponible

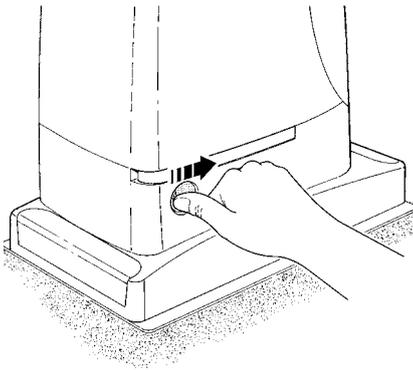
** À 50°C et avec un portail de 15 mètres, la fréquence maximale de fonctionnement est de 7 cycles/heure (équivalent à un cycle de 40%).

*** À 50°C, le temps maximum de fonctionnement continu est de 10 minutes.

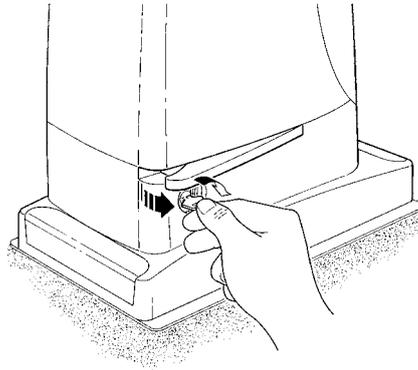
- **Avant d'utiliser pour la première fois l'automatisme**, faites-vous expliquer par l'installateur l'origine des risques résiduels et consacrez quelques minutes à la lecture du **manuel d'instructions et d'avertissements pour l'utilisateur** qui vous est remis par l'installateur. Conservez le manuel pour pouvoir le consulter pour n'importe quel doute futur et remettez-le à tout nouveau propriétaire de l'automatisme.
- **Les seules interventions que l'utilisateur** peut et doit effectuer périodiquement sont le nettoyage des verres des photocellules et l'élimination des feuilles et des cailloux qui pourraient bloquer l'automatisme. Pour empêcher que quelqu'un puisse actionner le portail, avant de continuer, n'oubliez pas de **débrayer l'automatisme** (comme nous l'avons décrit) et d'utiliser pour le nettoyage uniquement un chiffon légèrement imbibé d'eau.
- **Votre automatisme est un équipement qui exécute fidèlement vos commandes**; une utilisation inconsciente et incorrecte peut le rendre dangereux: ne commandez pas le mouvement de l'automatisme si des personnes, des animaux ou des objets se trouvent dans son rayon d'action.
- **Mise au rebut**: à la fin de la vie de l'automatisme, assurez-vous que le démantèlement est effectué par du personnel qualifié et que les matériaux sont recyclés ou mis au rebut en respectant les normes locales en vigueur.
- **Enfants**: une installation d'automatisation garantit un degré de sécurité élevé en empêchant avec ses systèmes de détection le mouvement en présence de personnes ou d'objets et en garantissant une activation toujours prévisible et sûre. Il est prudent toutefois de ne pas laisser jouer les enfants à proximité de l'automatisme et pour éviter les activations involontaires, de ne pas laisser à leur portée les émetteurs qui commandent la manœuvre: **ce n'est pas un jeu!**
- **En cas de ruptures ou absence d'alimentation électrique**: en attendant l'intervention de votre installateur (ou le retour du courant si l'installation est dépourvue de batterie tampon), l'installation peut être actionnée comme n'importe quel autre système non automatisé. Pour cela, il faut effectuer le débrayage manuel: cette opération, qui est la seule pouvant être effectuée par l'utilisateur de l'automatisme, a fait l'objet d'une étude particulière de la part de Nice pour vous assurer toujours une utilisation extrêmement simple et aisée, sans aucun outil ou effort physique.
- **Anomalies**: si vous notez une anomalie quelconque dans le fonctionnement de l'automatisme, coupez l'alimentation électrique de l'installation et procédez au débrayage manuel. Ne tentez jamais de le réparer vous-même mais demandez l'intervention de votre installateur de confiance: dans l'intervalle, l'installation peut fonctionner comme un système non automatisé, après avoir débrayé l'opérateur suivant les indications données plus loin.
- **Maintenance**: comme toutes les machines, votre automatisme a besoin d'une maintenance périodique pour pouvoir fonctionner le plus longtemps possible et en toute sécurité. Établissez avec votre installateur un plan de maintenance périodique programmée; Nice conseille une intervention tous les 6 mois pour une utilisation domestique normale mais cette période peut varier en fonction de l'intensité d'utilisation. Toute intervention de contrôle, maintenance ou réparation doit être exécutée exclusivement par du personnel qualifié.
- Même si vous estimez en être capable, ne modifiez pas l'installation et les paramètres de programmation et de réglage de l'automatisme: la responsabilité en incombe à votre installateur.
- L'essai de fonctionnement final, les maintenances périodiques et les éventuelles réparations doivent être documentés par la personne qui s'en charge et les documents doivent être conservés par le propriétaire de l'installation.

Débrayage et mouvement manuel: avant toute opération, faire **attention** au fait que le débrayage ne peut être fait que lorsque le tablier est à l'arrêt.

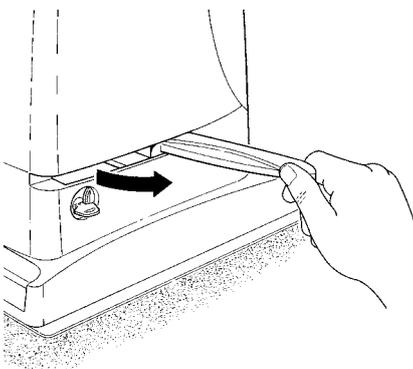
1 Faire coulisser le couvercle de protection de la serrure.



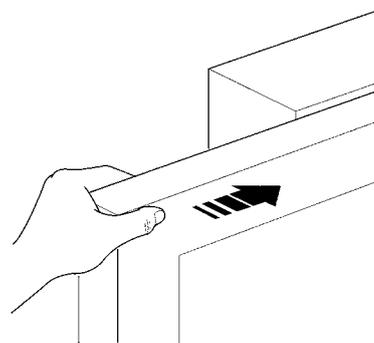
2 Introduire la clé et la tourner dans le sens des aiguilles d'une montre.



3 Tirer la poignée de débrayage.



4 Déplacer le tablier à la main.



Pour bloquer: effectuer les mêmes opérations dans le sens contraire.

Commande avec dispositifs de sécurité hors service: si les dispositifs de sécurité présents sur le portail ne fonctionnent pas correctement, le portail peut quand même être commandé.

- Actionner la commande du portail (avec la télécommande, avec le sélecteur à clé, etc.); si les dispositifs de sécurité donnent leur accord, le portail s'ouvrira ou se fermera normalement, sinon le clignotant émettra quelques clignotements mais la manœuvre ne démarrera pas (le nombre de clignotements dépend du motif pour lequel la manœuvre ne démarre pas).
- Dans ce cas, dans les trois secondes qui suivent, il faut **actionner** de nouveau la commande et **maintenir l'action** sur la commande.
- Au bout d'environ 2 s le mouvement du portail commencera en mode «par action maintenue», c'est-à-dire que tant que la commande est maintenue, le portail continue sa manœuvre; dès que la commande est relâchée, le portail s'arrête.

⚠ Avec les dispositifs de sécurité hors service, il faut faire réparer au plus tôt l'automatisme.

Remplacement de la pile de l'émetteur: si au bout d'une certaine période votre radiocommande présente des problèmes de fonctionnement ou ne fonctionne plus du tout, cela pourrait dépendre tout simplement du fait que la pile est usée (suivant l'intensité d'utilisation, il peut s'écouler plusieurs mois jusqu'à plus d'un an). Vous pouvez vérifier cet état de chose si le voyant de confirmation de la transmission est faible, s'il ne s'allume plus du tout ou s'il ne s'allume qu'un bref instant. Avant de vous adresser à l'installateur, essayez de remplacer la pile en utilisant celle d'un autre émetteur qui fonctionne encore: si cette intervention remédie au problème, il vous suffit de remplacer la pile usagée par une neuve du même type.

Les piles contiennent des substances polluantes: ne pas les jeter à la poubelle mais suivre les règles de tri sélectif prévues par les réglementations locales.

Déclaration CE de conformité et déclaration d'incorporation de « quasi-machine »

Déclaration conforme aux Directives : 2004/108/CE (CEM) ; 2006/42/CE (MD) Annexe II, partie B

Note - Le contenu de cette déclaration de conformité correspond à ce qui est déclaré dans le document officiel, déposé au siège de Nice S.p.a., et en particulier à sa dernière révision disponible avant l'impression de ce guide. Le présent texte a été réadapté pour des raisons d'édition. Une copie de la déclaration originale peut être demandée à Nice S.p.a. (TV) I.

Numéro : 238/RUN

Révision : 5

Langue : FR

Nom du fabricant :

Nice s.p.a.

Adresse :

Via Pezza Alta n°13, 31046 Rustignè di Oderzo (TV) Italie

Personne autorisée à constituer

la documentation technique :

Nice s.p.a.

Type de produit :

Opérateur électromécanique avec logique de commande incorporée

Modèle :

RUN1800, RUN2500, RUN1800P, RUN2500P

Accessoires :

Récepteurs radio SMXI, SMXIS et ONEXI

Le soussigné Mauro Sordini, en sa qualité d'Chief Executive Officer, déclare sous son entière responsabilité que le produit indiqué ci-dessus est conforme aux dispositions prescrites par les directives suivantes :

- DIRECTIVE 2004/108/CE DU PARLEMENT EUROPÉEN ET DU CONSEIL du 15 décembre 2004 concernant le rapprochement des législations des États membres relative à la compatibilité électromagnétique et abrogeant la Directive 89/336/CEE, selon les normes harmonisées suivantes : EN 61000-6-2:2005, EN 61000-6-3:2007+A1:2011

En outre, le produit s'avère conforme à la Directive ci-après selon les conditions essentielles requises pour les « quasi-machines » :

Directive 2006/42/CE du PARLEMENT EUROPÉEN ET DU CONSEIL du 17 mai 2006 relative aux machines et modifiant la Directive 95/16/CE (refonte)

- Nous déclarons que la documentation technique pertinente a été remplie conformément à l'annexe VII B de la directive 2006/42/CE et que les conditions essentielles suivantes ont été respectées : 1.1- 1.1.2- 1.1.3- 1.2.1-1.2.6- 1.5.1-1.5.2- 1.5.5- 1.5.6- 1.5.7- 1.5.8- 1.5.10- 1.5.11
- Le producteur s'engage à transmettre aux autorités nationales, suite à une demande dûment motivée, les informations pertinentes sur la « quasi-machine », sans que cela porte préjudice à ses droits de propriété intellectuelle.
- Si la « quasi-machine » est mise en service dans un pays européen dont la langue officielle diffère de celle utilisée dans la présente déclaration, l'importateur a l'obligation de joindre en annexe la traduction de la déclaration.
- Il est précisé que la quasi-machine ne doit pas être mise en service tant que la machine finale dans laquelle elle doit être incorporée n'a pas été elle-même déclarée conforme aux dispositions pertinentes de la directive 2006/42/CE.

En outre, le produit s'avère conforme aux normes suivantes :

EN 60335-1:2012 EN 60335-2-103:2003+A11:2009

Le produit s'avère conforme, limitativement aux parties applicables, aux normes suivantes :

EN 13241-1:2003+A1:2011, EN 12445:2002, EN 12453:2002, EN 12978:2003+A1:2009

Oderzo, le 1er juillet 2014

Ing. Mauro Sordini
(Chief Executive Officer)



Inhaltsverzeichnis:	pag.		
1	Hinweise	81	
2	Produktbeschreibung und Einsatz	82	
2.1	Einsatzgrenzen	82	
2.2	Typische Anlage	84	
2.3	Kabelliste	84	
3	Installation	85	
3.1	Vorprüfungen	85	
3.2	Befestigung des Toröffners	85	
3.3	Befestigung der Endschalterbügel in den Versionen mit induktivem Annäherungsschalter	86	
3.4	Installation der verschiedenen Vorrichtungen	87	
3.5	Elektrische Anschlüsse	87	
3.6	Beschreibung der elektrischen Anschlüsse	88	
4	Endprüfungen und Anlassen	88	
4.1	Auswahl der Richtung	88	
4.2	Anschluss der Versorgung	88	
4.3	Erlernung der Vorrichtungen	88	
4.4	Erlernung der Torflügelänge	89	
4.5	Überprüfung der Torbewegung	89	
4.6	Bereits programmierte Funktionen	89	
4.7	Funkempfänger	89	
5	Abnahme und Inbetriebsetzung	89	
5.1	Abnahme	90	
5.2	Inbetriebsetzung	90	
6	Wartung und Entsorgung	90	
6.1	Wartung	90	
6.2	Entsorgung	90	
7	Weitere Auskünfte	91	
7.1	Programmierungstasten	91	
7.2	Programmierungen	91	
7.2.1	Funktionen des ersten Niveaus (ON-OFF-Funktionen)	91	
7.2.2	Erstes Niveau - Programmierungen (ON-OFF-Funktionen)	92	
7.2.3	Funktionen des zweiten Niveaus (einstellbare Parameter)	92	
7.2.4	Zweites Niveau: Programmierungen (einstellbare Parameter)	93	
7.2.5	Erstes Niveau - Programmierungsbeispiel (ON-OFF-Funktionen)	94	
7.2.6	Zweites Niveau: Programmierungsbeispiel (einstellbare Parameter)	94	
7.3	Hinzufügen oder Entfernen von Vorrichtungen	94	
7.3.1	BlueBUS	94	
7.3.2	Eingang STOP	95	
7.3.3	Photozellen	95	
7.3.4	Lichtsensoren FT210B	95	
7.3.5	RUN in Modalität "Slave"	96	
7.3.6	Erlernung sonstiger Vorrichtungen	97	
7.4	Sonderfunktionen	97	
7.4.1	Funktion "Öffnet Immer"	97	
7.4.2	Funktion "Todmann"	97	
7.4.3	Motortemperaturregelung	97	
7.4.4	Wartungsanzeige	97	
7.5	Verbindung sonstiger Vorrichtungen	98	
7.6	Probleme und deren Lösungen	99	
7.6.1	Liste der Alarmhistorik	99	
7.7	Diagnose und Anzeigen	99	
7.7.1	Anzeigen durch die Blinkleuchte	100	
7.7.2	Anzeigen durch die Steuerung	100	
7.8	Zubehör	101	
7.8.1	Fernprogrammierungseinheit	101	
8	Technische Merkmale	102	
	Anweisungen und Hinweise für den Benutzer des Toröffners RUN	103	
	CE-Konformitätserklärung	105	

1) Hinweise

Die vorliegenden Anweisungen enthalten wichtige Sicherheitsinformationen für die Installation; vor der Installation alle Anweisungen lesen. Dieses Handbuch auch für die Zukunft sorgfältig aufbewahren.

Unter Berücksichtigung der Gefahren, die bei Installation und Bedienung von RUN auftreten können, muss die Installation für größte Sicherheit unter voller Einhaltung von Gesetzen, Vorschriften und Verordnungen erfolgen. In diesem Kapitel sind Hinweise allgemeiner Art gegeben; weitere wichtige Hinweise befinden sich in den Kapiteln "3.1 Vorprüfungen"; "5 Abnahme und Inbetriebsetzung".

⚠ Nach der neuesten europäischen Gesetzgebung, gehört die Automatisierung einer Tür oder eines Tors zu den Verordnungen der Richtlinie 98/37/CE (Maschinenrichtlinie) und insbesondere zu den Vorschriften: EN 13241-1 (harmonisierte Norm); EN 12445; EN 12453 und EN 12635, die es erlauben, die Konformität mit der Maschinenrichtlinie zu erklären.

Weitere Auskünfte und Hinweise zur Analyse der Risiken und der Realisierung der Technischen Unterlagen stehen in www.niceforyou.com zur Verfügung. Die vorliegende Anleitung ist nur für technisches Personal bestimmt, das für die Installation qualifiziert ist. Mit Ausnahme der Anlage "Anweisungen und Hinweise für den Benutzer des Toröffners RUN", die der Installateur abtrennen muss, ist keine im vorliegenden Heft enthaltene Information als interessant für den Endbenutzer zu betrachten!

- Ein Gebrauch von RUN, der anders als in diesen Anweisungen vorgesehen ist, ist verboten. Ein unsachgemäßer Gebrauch kann Gefahren und Personen- oder Sachschäden verursachen.
- Vor der Installation ist die Risikoanalyse auszuführen, welche die Liste der wesentlichen Sicherheitsanforderungen, vorgesehen in Anlage I der Maschinenrichtlinie einschließt und die jeweiligen, angewendeten Lösungen angeben muss. Es wird daran erinnert, dass die Risikoanalyse eine der Unterlagen ist, die Bestandteil der "Technischen Dokumentation" der Automatisierung sind.
- Je nach Einsatzbedingungen und vorhandenen Gefahren prüfen, ob weitere Vorrichtungen und Materialien erforderlich sind, um die Automatisierung mit RUN zu vervollständigen; berücksichtigt werden müssen zum Beispiel Aufprallgefahr, Quetsch- und Mitnehmgefahr usw. und sonstige Gefahren allgemein.
- Keine Änderungen an keinem Teil ausführen, falls nicht im vorliegenden Handbuch vorgesehen. Vorgänge dieser Art können nur Betriebsstörungen verursachen. NICE lehnt jegliche Haftung für Schäden aufgrund geänderter Produkte ab.
- Während Installation und Gebrauch vermeiden, dass Festteile oder Flüssigkeiten in die Steuerung und sonstige geöffnete Vorrichtungen eindringen können; wenden Sie sich ggf. an den NICE Kundendienst; der Gebrauch von RUN in solchen Situationen kann Gefahren verursachen.
- Der Automatismus darf erst verwendet werden, nachdem die Inbetriebsetzung ausgeführt wurde, wie in Punkt "5 Abnahme und Inbetriebsetzung" vorgesehen.
- Das Verpackungsmaterial muss unter voller Einhaltung der örtlichen Vorschriften entsorgt werden.
- Wenn ein Defekt mit den im vorliegenden Handbuch gegebenen Infos nicht beseitigt werden kann, wenden Sie sich bitte an den NICE Kundendienst.
- Wenn Automatischschalter oder Sicherungen ausgelöst werden, muss vor ihrer Rückstellung der Defekt festgestellt und beseitigt werden.
- Vor dem Zugriff auf die Klemmen im Deckel von RUN, alle Kreisläufe der Versorgung abtrennen; falls die Abtrennvorrichtung nicht sichtbar ist, ein Schild mit der Aufschrift: "ACHTUNG - WARTUNG IM GANG" anbringen.

Besondere Hinweise über die Eignung dieses Produktes mit Bezugnahme auf die Richtlinie 98/37/CE (ex 89/392/CEE):

- Dieses Produkt wird als "Bestandteil einer Maschine" auf den Markt gegeben und daher hergestellt, um in eine Maschine eingegliedert oder mit anderen Maschinen zusammengebaut zu werden, mit dem Zweck, "eine Maschine" gemäß der Richtlinie 98/37/CE nur in Kombination mit anderen Bestandteilen und auf die im vorliegenden Handbuch beschriebenen Arten und Weisen zu realisieren. Wie von der Richtlinie 98/37/CE vorgesehen, wird darauf hingewiesen, dass die Inbetriebsetzung des oben genannten Produktes erst gestattet ist, nachdem die Maschine, in die dieses Produkt eingegliedert ist, als konform mit der Richtlinie 98/37/CE gekennzeichnet und erklärt worden ist.

Besondere Hinweise über die Eignung dieses Produktes mit Bezugnahme auf die Niederspannungsrichtlinie 73/23/CEE und die spätere Änderung 93/68/CEE:

- Dieses Produkt, falls für seinen Zweck eingesetzt und in den in der vorliegenden Anleitung vorgesehenen Konfigurationen und in Kombination mit den von Nice S.p.A. hergestellten Artikeln im Katalog entspricht den Anforderungen der Niederspannungsrichtlinie. Die Übereinstimmung mit den Anforderungen könnte nicht garantiert sein, wenn das Produkt in nicht vorgesehenen Konfigurationen oder mit anderen Produkten benutzt wird; der Gebrauch des Produktes in solchen Situationen ist untersagt, bis der die Installation Ausführende die Übereinstimmung mit den laut Richtlinie vorgesehenen Anforderungen überprüft hat.

Besondere Hinweise über die Eignung dieses Produktes mit Bezugnahme auf die Richtlinie 89/336/CEE "Elektromagnetische Verträglichkeit" und spätere Änderungen 92/31/CEE und 93/68/CE:

- Dieses Produkt in den in der vorliegenden Anleitung vorgesehenen Konfigurationen und in Kombination mit den von Nice S.p.A. hergestellten Artikeln im Katalog wurde unter den schwierigsten Einsatzbedingungen Tests der elektromagnetischen Verträglichkeit unterzogen. Die elektromagnetische Verträglichkeit könnte nicht garantiert sein, wenn das Produkt in nicht vorgesehenen Konfigurationen oder mit anderen Produkten benutzt wird; der Gebrauch des Produktes in solchen Situationen ist untersagt, bis der die Installation Ausführende die Übereinstimmung mit den laut Richtlinie vorgesehenen Anforderungen überprüft hat.

2) Produktbeschreibung und Einsatz

RUN ist ein selbsthemmender elektromechanischer Antrieb zur Automatisierung von Schiebetoren. Er verfügt über eine elektronische Steuerung und einen Verbinder vom Typ "SM" für den Empfänger der Fernbedienungen (Optional). Die elektrischen Anschlüsse zu externen Vorrichtungen hin sind dank der Anwendung von "BlueBUS", eine Technik, dank der mehrere Vorrichtung mit nur 2 Leitern angeschlossen werden können, vereinfacht. Die Liste der Vorrichtungen, die über BlueBUS an Run angeschlossen werden können, befindet sich in Kap. I 7.3.1 "BlueBUS"; eine aktualisierte

Liste mit den entsprechenden Kompatibilitäten befindet sich auch in www.niceforyou.com.

RUN verfügt über einen Verbinder für die separate Programmierungseinheit, die eine vollständige und schnelle Installation, Wartung und Diagnose eventueller Betriebsstörungen ermöglicht - siehe auch 7.8.1 "Separate Programmierungseinheit".

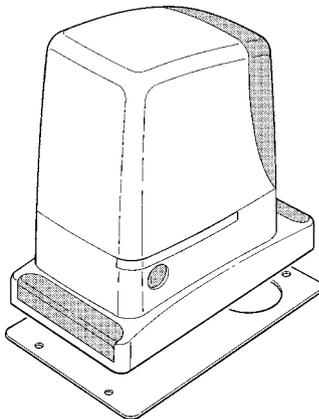
RUN funktioniert mit elektrischer Energie; bei Stromausfall sind die Entriegelung und die Betätigung des Tors von Hand mit dem speziellen Schlüssel möglich.

Zur Linie RUN gehören die Produkte, deren wichtigste Unterschiede in Tabelle 1 beschrieben sind.

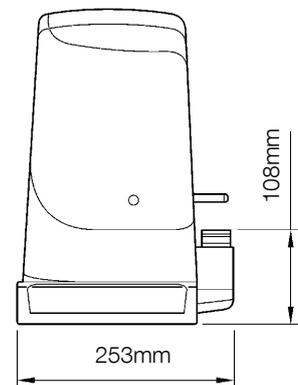
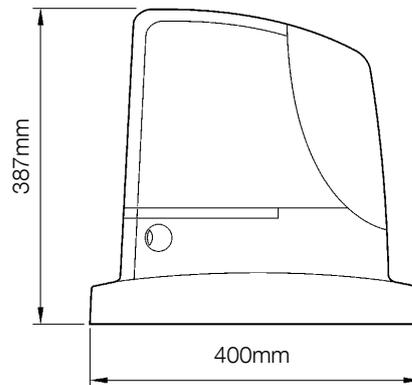
Tabelle 1: Vergleich der wichtigsten Merkmale des Toröffners RUN

Toröffner Typ	RUN1800	RUN1800P	RUN2500	RUN2500P
Endschaltertyp	elektromechanisch	induktiver Annäherungsschalter	elektromechanisch	induktiver Annäherungsschalter
Höchstlänge des Tors	15m		18m	
Höchstgewicht des Tors	1800 kg		2500 kg	
Höchstdrehmoment beim Anlauf (entspricht der Kraft)	40Nm (1110N)		50Nm (1390N)	
Motor	einphasiger Asynchronmotor max. 700W		einphasiger Asynchronmotor max. 870W	

Anmerkung: 1kg = 9,81N daher, z. B.: 1390N = 142kg



1



2.1) Einsatzgrenzen

Die Leistungsdaten der Produkte der Linie RUN sind in Kapitel "8 Technische Merkmale" angegeben; sie ermöglichen als einzige Werte eine korrekte Bewertung der Eignung der Produkte. Dank der strukturellen Merkmale sind die Produkte der Linie RUN innerhalb der in den Tabellen 2, 3 und 4 angegebenen Grenzen für Schiebetore geeignet.

Die effektive Eignung von RUN zur Automatisierung eines bestimmten Schiebetors hängt von den Reibungen und anderen, auch gelegentlichen Ereignissen ab, wie zum Beispiel Vorhandensein von Eis, das die Torbewegung behindern könnte.

Für eine effektive Überprüfung muss die Kraft gemessen werden, die notwendig ist, um das Tor auf der gesamten Lauflänge zu bewegen; dann muss kontrolliert werden, dass dieselbe die Hälfte des "Nenn-drehmoments" nicht überschreitet, der in Kapitel "8 Technische

Merkmale" angegeben ist (eine Toleranz von 50% wird empfohlen, da schlechte Witterung die Reibungswerte erhöhen kann); weiterhin sind die Angaben in den Tabellen 2 und 3 zu berücksichtigen, um die Anzahl an Zyklen/Stunde, die aufeinander folgenden Zyklen und die zulässige Höchstgeschwindigkeit festzulegen.

Tabelle Nr. 2: Grenzen in Abhängigkeit von der Torflügelänge

Torlänge (m)	RUN1800/ RUN1800P		RUN2500/ RUN2500P	
	Zyklen/Stunde max.	aufeinander folgende Zyklen max.	Zyklen/Stunde max.	aufeinander folgende Zyklen max.
bis zu 6	42	28	42	42
6 ÷ 9	28	18	28	28
9 ÷ 12	21	14	21	21
12 ÷ 15	17	11	17	17
15 ÷ 18			14	14

Tabelle 3: Grenzen in Abhängigkeit vom Torgewicht

Torgewicht (kg)	RUN1800/ RUN1800P	RUN2500/ RUN2500P
	Prozente Zyklen	Prozente Zyklen
bis zu 500	100%	100%
500 ÷ 900	80	80
900 ÷ 1200	75	75
1200 ÷ 1500	60	60
1500 ÷ 1800	50	50
2000 ÷ 2300	---	40
2300 ÷ 2500	---	30

Aufgrund der Länge des Torflügels kann die Höchstzahl an Betriebszyklen pro Stunde und an aufeinander folgenden Zyklen bestimmt werden, wogegen man mit dem Gewicht den Reduzierungsprozentsatz der Zyklen bestimmen kann; wenn für RUN1800 der Torflügel z.B. 10 m lang ist, wären 21 Zyklen/Stunde und 14 aufeinander folgende Zyklen möglich, wenn der Torflügel jedoch 1300 kg wiegt, müssen diese um 60% reduziert werden; das Resultat wäre daher 9 Zyklen/Stunde und 8 aufeinander folgende Zyklen. Um Überhitzungen zu vermeiden, sieht die Steuerung einen Bewegungsbegrenzer vor, der sich auf der Anstrengung des Motors und der Dauer der Zyklen beruht und bei Überschreitung der Höchstgrenze anspricht. Der Bewegungsbegrenzer misst auch die Umgebungstemperatur und sorgt bei besonders hohen Temperaturen für eine weitere Reduzierung der Bewegungen.

In Kapitel "8 Technische Merkmale" ist eine Schätzung der durchschnittlichen Lebensdauer des Produktes angegeben. Dieser Wert wird durch die Beschwerlichkeitszahl (Summe aller Faktoren, die zum Verschleiß beitragen) beeinflusst, mit der die Bewegungen ausgeführt werden. Um diesen Wert zu schätzen, müssen alle Beschwerlichkeitszahlen in Tabelle 4 addiert werden, dann kann die geschätzte Lebensdauer mit dem Gesamtergebnis im Schaubild überprüft werden.

Beispiel: RU1800 an einem 1300 kg schweren und 10 m langen Tor, ausgestattet mit Photozellen und ohne andere Ermüdungselemente, hat eine Beschwerlichkeitszahl von 45% (20+15+10). Nach dem Schaubild ist die geschätzte Lebensdauer 200.000 Zyklen.

Die Beschwerlichkeitszahl wird auf der Grundlage der Projektdaten und der Testergebnisse mit Prototypen berechnet; da es sich um eine Schätzung handelt, ist sie keinesfalls eine Garantie der effektiven Dauer des Produktes.

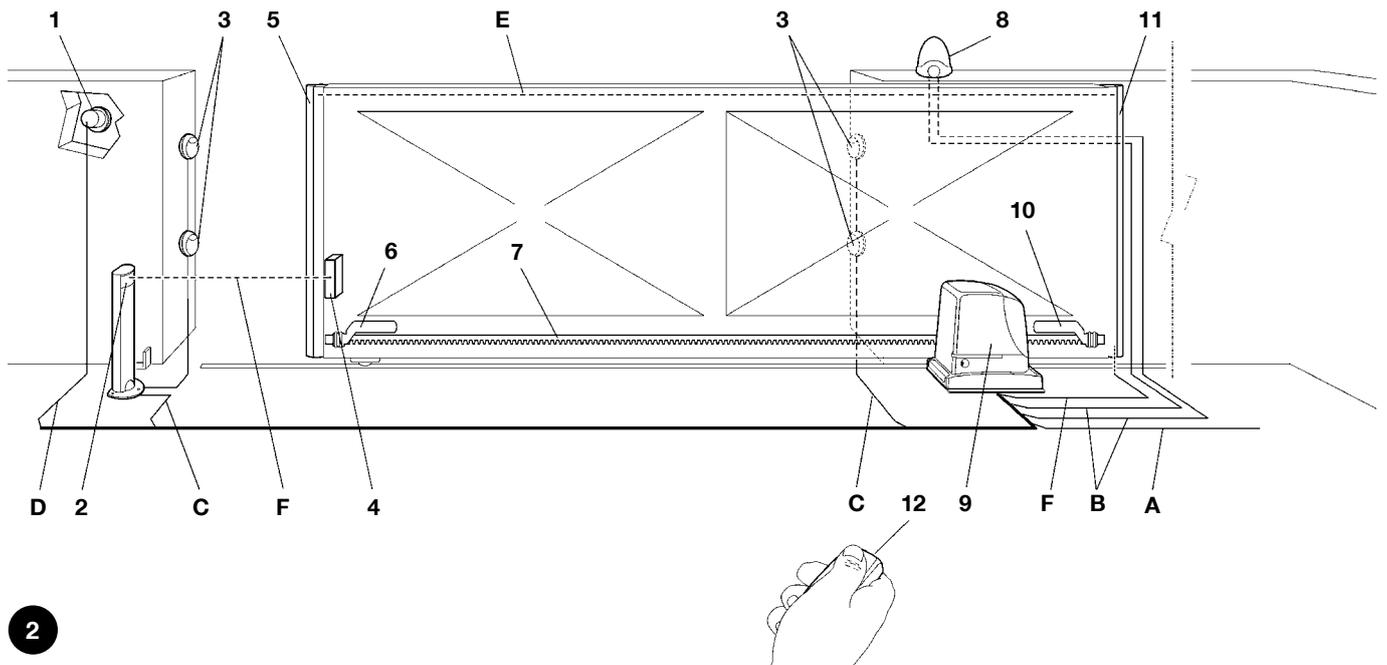
Tabelle Nr. 4: Schätzung der Lebensdauer in Abhängigkeit von der Beschwerlichkeitszahl der Bewegungen

Beschwerlichkeitszahl %	Run		Lebensdauer in Zyklen
	1800	2500	
Gewicht des Torflügels (kg)			
bis zu 500	5	5	
500 ÷ 900	10	10	
900 ÷ 1200	20	20	
1200 ÷ 1500	30	30	
1500 ÷ 1800	40	40	
1800 ÷ 2200	-	50	
2200 ÷ 2500	-	60	
Länge des Torflügels (m)			
bis zu 6	5	5	
6 ÷ 9	10	10	
9 ÷ 12	15	15	
12 ÷ 15	25	25	
15 ÷ 18	-	35	
Sonstige Ermüdungselemente (zu berücksichtigen, wenn die Wahrscheinlichkeit, dass sie sich ereignen, über 10% ist)			
Umgebungstemperatur über 40°C oder unter 0°C oder Feuchtigkeit über 80%	10	10	
Vorhandensein von Staub oder Sand	15	15	
Salzhaltige Umgebung	20	20	
Unterbrechung der Bewegung durch Photozelle	10	10	
Unterbrechung der Bewegung durch Halt	20	20	
Aktivierter Anlauf	10	10	
Beschwerlichkeitszahl insgesamt %:			

Anmerkung: wenn die Beschwerlichkeitszahl 100% überschreitet, sind die Bedingungen über der akzeptierbaren Grenze; der Gebrauch einer höheren Größe wird empfohlen.

2.2) Typische Anlage

In Abbildung 2 ist die typische Anlage einer Schiebetorautomatisierung mit RUN gezeigt.



- | | |
|-------------------------------|---|
| 1 Schlüsseltaster | 8 Blinkleuchte mit integrierter Antenne |
| 2 Empfänger FT210B | 9 RUN |
| 3 Photozellen | 10 Endschalterbügel "geschlossen" |
| 4 Sender FT210B | 11 Bewegliche Zweitleiste (Optional) |
| 5 Bewegliche Hauptleiste | 12 Funksender |
| 6 Endschalterbügel "geöffnet" | |
| 7 Zahnstange | |

2.3) Kabelliste

In der typischen Anlage in Abbildung 2 sind auch die Kabel angegeben, die zur Verbindung der verschiedenen Vorrichtungen erforderlich sind; in Tabelle Nr. 5 sind die Merkmale der Kabel verzeichnet.

⚠ Die benutzten Kabel müssen für die jeweilige Installation geeignet sein; zum Beispiel wird ein Kabel des Typs H03VV-F zum Verlegen in Innenräumen empfohlen, oder des Typs H07RN-F für Außenanwendungen.

Tabelle Nr. 5: Kabelliste

Anschluss	Kabeltyp	Max. zulässige Länge
A: Elektrische Versorgungslinie	Nr. 1 Kabel 3x1,5mm ²	30m (Anmerkung 1)
B: Blinkleuchte mit Antenne	Nr. 1 Kabel 2x0,5mm ²	20m
	Nr. 1 abgeschirmtes Kabel des Typs G58	20m (vorzugsweise weniger als 5m)
C: Photozellen	Nr. 1 Kabel 2x0,5mm ²	30m (Anmerkung 2)
D: Schlüsseltaster	Nr. 2 Kabel 2x0,5mm ² (Anmerkung 3)	50m
E: Verbindungen zwischen den 2 beweglichen Schaltleisten	Nr. 1 Kabel 2x0,5mm ² (Anmerkung 4)	20m
F: Anschluss der Schaltleisten	Nr. 1 Kabel 2x0,5mm ² (Anmerkung 5)	30m

Anmerkung 1: wenn das Versorgungskabel länger als 30m ist, muss ein Kabel mit größerem Querschnitt benutzt werden, z.B. 3x2,5mm² und eine Sicherheitserdung in der Nähe der Automatisierung ist erforderlich.

Anmerkung 2: wenn das "BLUEBUS" Kabel länger als 30 m bis max. 50 m ist, ist ein Kabel 2x1mm² erforderlich.

Anmerkung 3: die beiden Kabel 2x0,5mm² können mit nur einem Kabel 4x0,5mm² ersetzt werden.

Anmerkung 4: wenn mehr als eine Schaltleiste vorhanden ist, siehe das Kapitel "7.3.2 Eingang HALT" für die empfohlene Verbindung.

Anmerkung 5: zur Verbindung der beweglichen Schaltleisten an Schiebetoren sind geeignete Vorrichtungen zu verwenden, welche die Verbindung auch bei sich bewegendem Torflügel ermöglichen; in der Abbildung ist der Gebrauch von FT210B gezeigt.

3) Installation

⚠ Die Installation von RUN muss von qualifiziertem Personal unter genauester Beachtung der Gesetze, Vorschriften und Verordnungen und der Angaben in den vorliegenden Anweisungen ausgeführt werden.

3.1) Vorprüfungen

Vor der Installation von RUN müssen folgende Kontrollen ausgeführt werden:

- Prüfen, dass das gesamte benutzte Material in bestem Zustand, für den Einsatz geeignet und mit den Vorschriften konform ist.
- Prüfen, dass die Struktur des Tors so ist, dass es automatisiert werden kann.
- Prüfen, dass sich Gewicht und Abmessungen des Torflügels innerhalb der Einsatzgrenzen in Kapitel "2.1 Einsatzgrenzen" befinden.
- Durch Vergleich mit den Werten in Kapitel "8 Technische Merkmale" prüfen, dass die zur Bewegung des Torflügels notwendige Kraft kleiner als die Hälfte des "maximalen Drehmoments" ist, und dass die Kraft, die notwendig ist, um den Torflügel in Bewegung zu halten, kleiner als die Hälfte des "Nenn Drehmoments" ist; eine Toleranz der Kräfte von 50% wird empfohlen, da schlechte Witterung die Reibungswerte erhöhen kann.
- Prüfen, dass entlang dem gesamten Lauf des Tors sowohl in Schließung als auch in Öffnung keine größeren Reibungen anliegen.
- Prüfen, dass der Torflügel nicht ausgleiten und nicht aus den Führungen treten kann.
- Die Robustheit der mechanischen Überlaufanschläge kontrollieren und prüfen, dass keine Verformungen erfolgen, auch wenn der Torflügel heftig auf diese aufprallen sollte.
- Prüfen, dass der Torflügel im Gleichgewicht ist: er darf sich nicht bewegen, wenn er in beliebiger Stellung stehen bleibt.
- Prüfen, dass der Bereich, in dem der Toröffner befestigt wird, nicht überschwemmt werden kann; den Toröffner ggf. über dem Boden installieren.

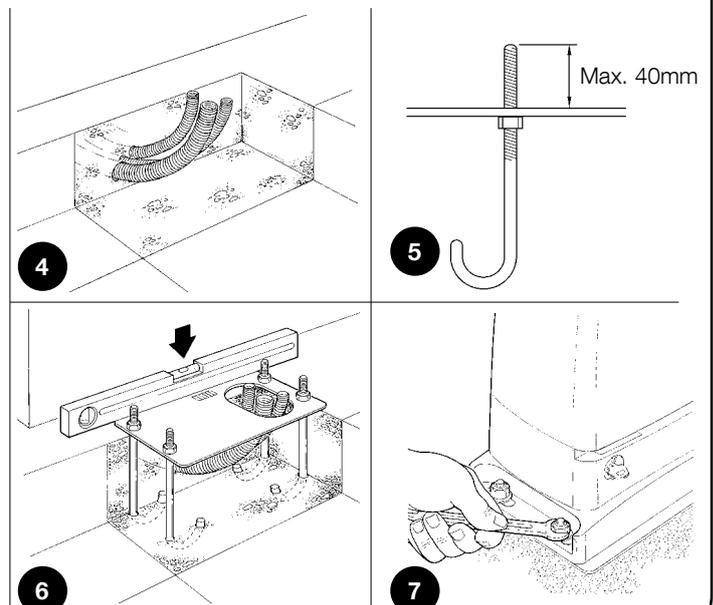
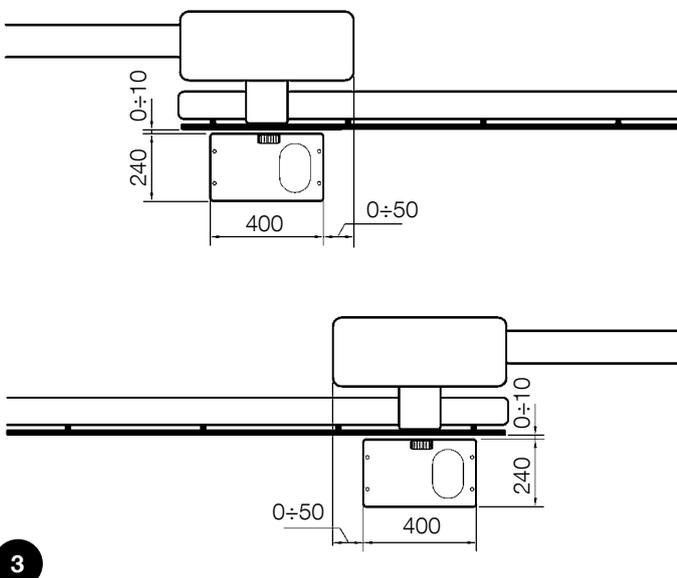
- Prüfen, dass die Entriegelung und eine leichte und sichere Bewegung von Hand des Torflügels im Befestigungsbereich des Toröffners möglich sind.
- Prüfen, dass sich die Befestigungsstellen der verschiedenen Vorrichtungen in stoßgeschützten Bereichen befinden und die Oberflächen ausreichend solide sind.
- Elemente des Automatismus sollten nicht in Wasser oder andere Flüssigkeit getaucht werden.
- RUN nicht in der Nähe von Wärmequellen oder Flammen oder in EX-gefährdeter, salz- oder säurehaltiger Umgebung halten; dies kann Schäden und Betriebsstörungen an RUN sowie Gefahren verursachen.
- Sollte der Torflügel eine Eingangstür haben oder sich eine Tür im Bewegungsbereich des Torflügels befinden, ist sicher zu stellen, dass diese den normalen Lauf des Tors nicht behindert; ggf. für ein geeignetes Verblockungssystem sorgen.
- Die Steuerung an eine elektrische Versorgungsleitung mit Sicherheitserdung anschließen.
- Die elektrische Versorgungsleitung muss durch eine geeignete magnetothermische Vorrichtung und Differentialschalter geschützt sein.
- Weiterhin muss eine Abtrennvorrichtung der Stromversorgung (mit Überspannungsklasse III bzw. Abstand zwischen den Kontakten von mindestens 3,5 mm) oder ein gleichwertiges System wie z.B. Steckdose und Stecker vorhanden sein. Sollte sich die Abtrennvorrichtung der Stromversorgung nicht in der Nähe der Automatisierung befinden, muss sie über ein Absperrsystem verfügen, dass vor einem unbeabsichtigten oder nicht genehmigten erneuten Anschluss schützt.

3.2) Befestigung des Toröffners

Falls die Befestigungsfläche bereits vorhanden ist, muss der Toröffner mit geeigneten Mitteln wie z.B. Spreizdübel direkt auf der Oberfläche befestigt werden. Andernfalls, zur Befestigung des Toröffners:

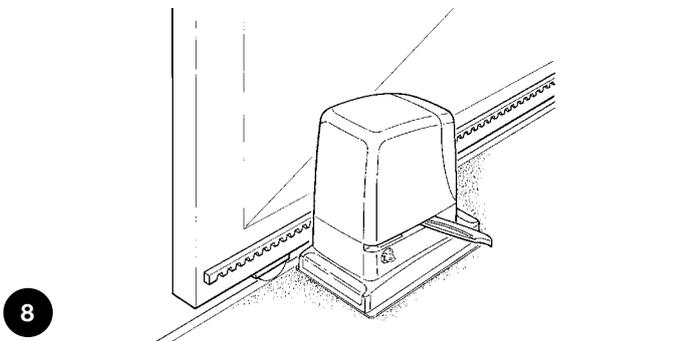
1. Für das Fundament eine entsprechend große Grube ausheben, mit Bezugnahme auf die Maße in Abbildung 3.
2. Ein oder mehrere Rohre zum Durchführen der Elektrokabel vorbereiten, gemäß Abbildung 4.
3. Die 4 Spreizbeine an die Fundamentplatte montieren; hierbei eine Mutter unter und eine über der Platte anbringen; die Mutter unter der Platte muss wie in Abbildung 5 angeschraubt werden, so dass das Gewindeteil ca. 40mm aus der Platte herausragt.

4. Den Beton eingießen und die Fundamentplatte bevor der Beton hart wird nach den Maßen in Abbildung 3 darin anbringen und prüfen, dass sie parallel zum Torflügel und einwandfrei nivelliert ist. Warten, bis der Beton ganz trocken ist.
5. Die 4 Muttern oben an der Platte abschrauben, dann den Toröffner darauf legen und prüfen, dass er zum Torflügel ganz parallel ist, dann die 4 Muttern und die Unterlegscheiben etwas anschrauben, wie in Abbildung 7 gezeigt.

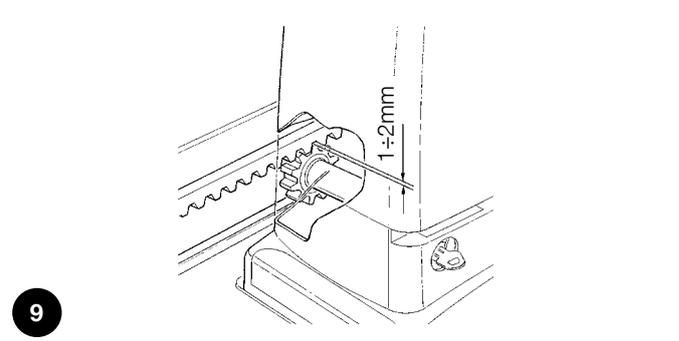


6. Den Toröffner entriegeln, wie in "Entriegelung und Bewegung von Hand" im Kapitel "Anweisungen und Hinweise für den Benutzer des Toröffners RUN" angegeben.
7. Den Torflügel ganz öffnen, das erste Teil der Zahnstange auf das Ritzel legen und prüfen, dass der Anfang der Zahnstange mit dem Anfang des Torflügels übereinstimmt, gemäß Abbildung 8. Prüfen, dass ein Spiel von 1÷2 zwischen Ritzel und Zahnstange vorhanden ist, dann die Zahnstange mit geeigneten Mitteln am Torflügel befestigen.

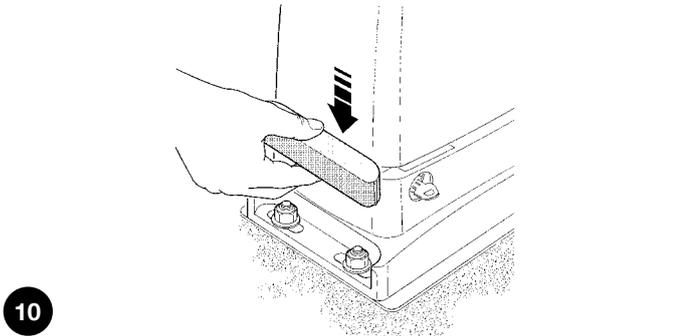
⚠ Um zu vermeiden, dass das Gewicht des Torflügels auf dem Toröffner liegt, muss zwischen Zahnstange und Ritzel ein Spiel von 1÷2 vorhanden sein, wie in Abbildung 9.



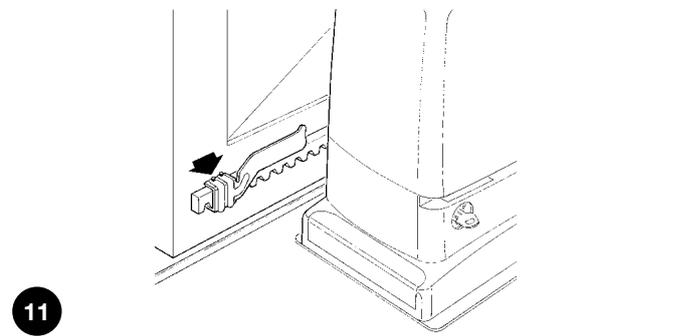
8



9



10



11

8. Den Torflügel gleiten lassen und zur Befestigung der anderen Zahnstangenten immer Bezug auf das Ritzel nehmen.
9. Das überschüssige Teil am Ende der Zahnstange wegschneiden.
10. Den Torflügel mehrmals öffnen und schließen und dabei prüfen, dass die Zahnstange gefluchtet auf dem Ritzel gleitet. Die Nichtfluchtung darf max. 5 mm sein und in der gesamten Länge muss ein Spiel von 1÷2 mm zwischen Ritzel und Zahnstange vorhanden sein.
11. Die Befestigungsmuttern des Toröffners energisch anziehen, so dass dieser gut am Boden befestigt ist; die Befestigungsmuttern mit den dazu vorgesehenen Kappen bedecken, gemäß Abbildung 10.
12. Die Endschalterbügel wie hier folgend beschrieben befestigen (für die Versionen RUN1800P und RUN2500P, die Bügel wie in Par.

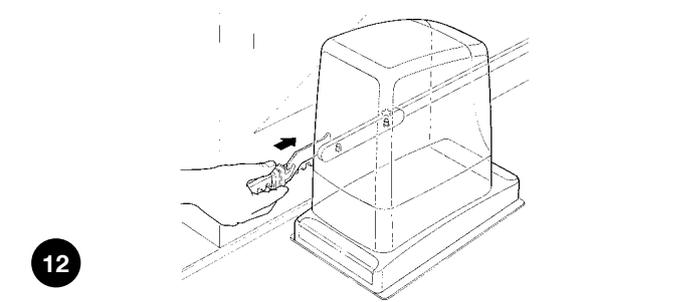
- "3.3 Befestigung der Endschalterbügel für die Versionen mit induktivem Annäherungsschalter" befestigen):
- Das Tor von Hand öffnen, so dass es mindestens 2 - 3 cm Abstand vom mechanischen Endanschlag hat.
 - Den Bügel in Öffnungsrichtung auf der Zahnstange gleiten lassen, bis der Endschalter auslöst. Den Bügel dann mindestens 2 cm vorschieben und mit den jeweiligen Stiftschrauben an der Zahnstange befestigen, wie in Abbildung 11.
 - Dasselbe für den Endschalter in Schließung ausführen.
13. Den Toröffner blockieren, wie in "Entriegelung und Bewegung von Hand" im Kapitel "Anweisungen und Hinweise für den Benutzer" angegeben.

3.3) Befestigung der Endschalterbügel in den Versionen mit induktivem Annäherungsschalter

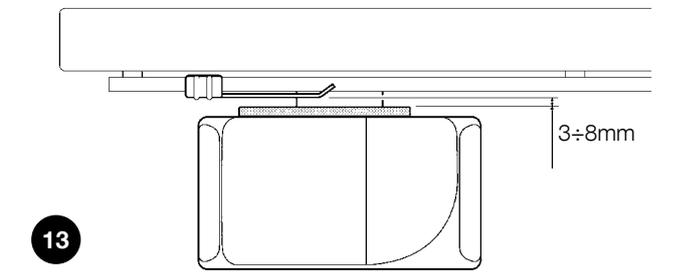
Für die Versionen RUN1800P und RUN2500P, die induktive Annäherungsschalter anwenden, müssen die Endschalterbügel wie hier folgend beschrieben befestigt werden.

1. Das Tor von Hand öffnen, so dass es mindestens 2-3cm Abstand vom mechanischen Endanschlag hat.
2. Den Bügel in Öffnungsrichtung auf der Zahnstange gleiten lassen, bis sich die entsprechende LED ausschaltet - siehe Abbildung 12. Den Bügel dann mindestens 2cm vorschieben und mit den jeweiligen Stiftschrauben an der Zahnstange befestigen.
3. Das Tor von Hand schließen, so dass es mindestens 2-3cm Abstand vom mechanischen Endanschlag hat.
4. Den Bügel in Schließrichtung auf der Zahnstange gleiten lassen, bis sich die entsprechende LED ausschaltet. Den Bügel dann mindestens 2cm vorschieben und mit den jeweiligen Stiftschrauben an der Zahnstange befestigen.

⚠ Am induktiven Annäherungsschalter beträgt der optimale Abstand des Bügels von 3 bis 8 mm, wie auf Abbildung 13 gezeigt.



12



13

3.4) Installation der verschiedenen Vorrichtungen

Die Installation der anderen vorgesehenen Vorrichtungen nach den jeweiligen Anweisungen ausführen. In Paragraph "3.5 Beschreibung der elektrischen Anschlüsse" und in Abbildung 2 die Vorrichtungen überprüfen, die an RUN angeschlossen werden können.

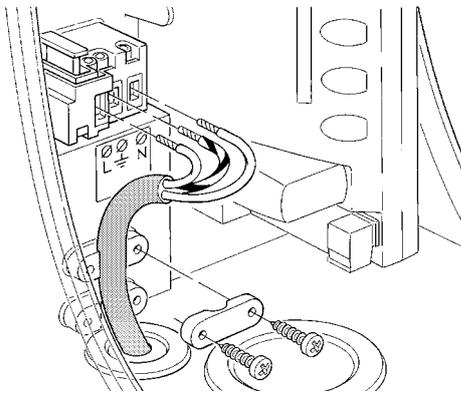
3.5) Elektrische Anschlüsse

⚠ Alle elektrischen Anschlüsse müssen ohne Spannung zur Anlage ausgeführt werden.

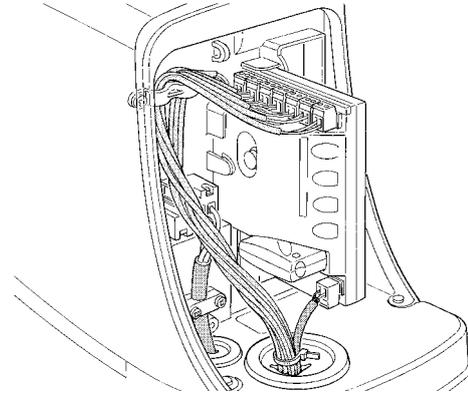
1. Um den Schutzdeckel zu entfernen und Zugang zur elektronischen Steuerung von RUN zu erhalten, muss die Schraube seitlich entfernt und der Deckel nach oben herausgezogen werden.
2. Die beiden Gummimembranen entfernen, mit denen die zwei Löcher für den Kabeldurchgang geschlossen sind. Nur das Versorgungskabel in das kleinere Loch einführen und alle anderen Kabel zu den verschiedenen Vorrichtungen in das größere, dabei die Kabel 20÷30 länger als notwendig lassen. Siehe die Tabelle Nr. 5 für den Kabeltyp und die Abbildung 2 für die Anschlüsse.
3. Alle Kabel, die in das größere Loch eingeführt werden, mit einer Schelle vereinen. Die Schelle gleich unter dem Loch für den Kabeldurchgang anbringen. In die größere Gummimembrane ein Loch schneiden,

dessen Durchmesser etwas kleiner als der Durchmesser der vereinten Kabel ist, dann die Membrane entlang den Kabeln bis zur Schelle einstecken und die Membrane wieder in ihren Sitz einspannen. Die Kabel gleich über der Membrane mit einer zweiten Schelle vereinen.

4. In die kleinere Membrane ein Loch schneiden, dessen Durchmesser etwas kleiner als jener des Versorgungskabels ist und die Membrane bis zu ihrem Sitz entlang dem Kabel einführen.
5. Das Netzstromkabel an der jeweiligen Klemme anschließen und mit seinem Kabelhalter blockieren, wie in Abbildung 14 gezeigt.
6. Die Anschlüsse der anderen Kabel nach dem Plan in Abbildung 16 ausführen. Der Einfachheit wegen können die Klemmen abgezogen werden.
7. Die vereinten Kabel nach Beendigung der Anschlüsse mit Schellen an den Kabelhaltern blockieren; das überschüssige Teil des Antennenkabels muss mit einer weiteren Schelle an den anderen Kabeln blockiert werden, gemäß Abbildung 15.

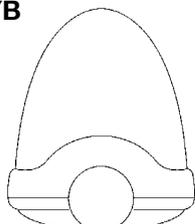


14



15

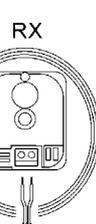
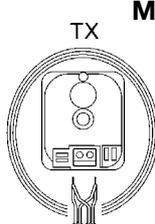
LUCYB



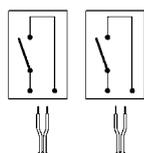
S.C.A.



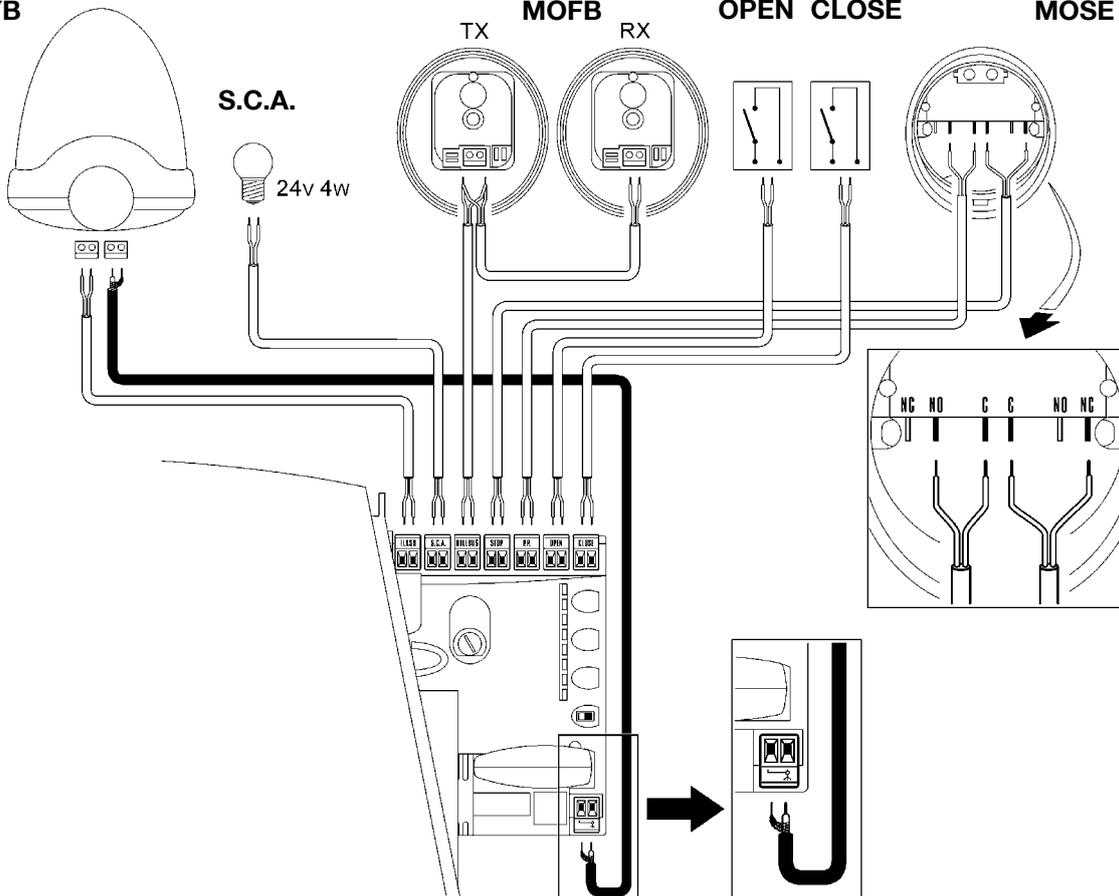
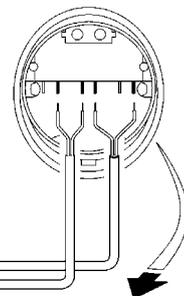
MOFB



OPEN CLOSE



MOSE



16

Für den Anschluss von 2 Motoren an gegenüber liegenden Torflügeln siehe den Par. "7.3.5 RUN in Modalität Slave".

3.6) Beschreibung der elektrischen Anschlüsse

Dieser Paragraph enthält eine kurze Beschreibung der elektrischen Anschlüsse; für weitere Auskünfte wird auf Par. "7.3 Hinzufügen oder Entfernen von Vorrichtungen" verwiesen.

FLASH: Ausgang für eine oder zwei Blinkleuchten des Typs "LUCYB" oder ähnliche mit nur einer 12V max. 21W Glühbirne.

S.C.A.: Ausgang "Leuchtmelder Tor Geöffnet"; angeschlossen werden kann ein 24V max. 4W Leuchtmelder. Kann auch für andere Funktionen programmiert werden - siehe Par. "7.2.3 Funktionen zweiten Niveaus"

BLUEBUS: an dieser Klemme können kompatible Vorrichtungen angeschlossen werden; alle Vorrichtungen werden mit nur zwei Leitern, auf denen sowohl die Stromversorgung als auch die Kommunikationssignale übermittelt werden, parallel geschaltet. Weitere Auskünfte über BlueBUS sind in Par. "7.3.1 BlueBUS" enthalten.

STOP: Eingang für Vorrichtungen, welche die laufende Bewegung blockieren oder ggf. anhalten; mit entsprechenden Maßnahmen

können am Eingang "gewöhnlich geschlossene" und "gewöhnlich geöffnete" Kontakte oder Vorrichtungen mit konstantem Widerstand angeschlossen werden. Weitere Auskünfte über STOP sind in Par. "7.3.2 Eingang STOP" enthalten.

P.P.: Eingang für Vorrichtungen, welche die Bewegung in Modalität Schrittbetrieb steuern; es können "gewöhnlich geöffnete" Kontakte angeschlossen werden.

OPEN: Eingang für Vorrichtungen, die nur eine Öffnungsbewegung steuern; es können "gewöhnlich geöffnete" Kontakte angeschlossen werden.

CLOSE: Eingang für Vorrichtungen, die nur eine Schließbewegung steuern; es können "gewöhnlich geöffnete" Kontakte angeschlossen werden.

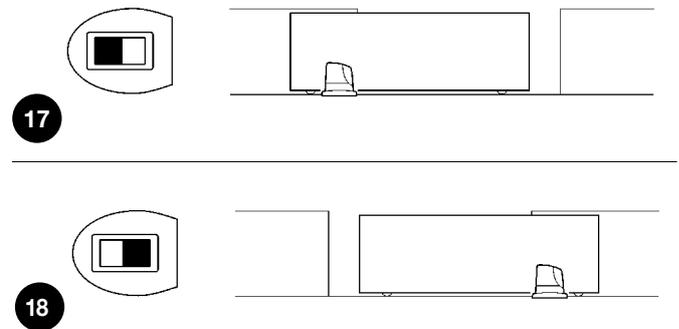
ANTENNE: Eingang für den Anschluss der Antenne für Funkempfänger (die Antenne ist in LUCY B eingebaut).

4) Endprüfungen und Anlassen

Vor Beginn der Überprüfung und des Anlassens der Automatisierung sollte das Tor auf Laufhälfte verschoben werden, so dass es sich in Öffnung und Schließung frei bewegen kann.

4.1) Auswahl der Richtung

Je nachdem, wie der Toröffner am Torflügel angebracht ist, muss die Richtung der Öffnungsbewegung gewählt werden. Falls sich der Torflügel zum Öffnen nach links bewegen muss, den Wählschalter nach links verschieben, wie in Abbildung 17, falls er sich zum Öffnen nach rechts bewegen muss, den Wählschalter nach rechts verschieben, wie in Abbildung 18.



4.2) Anschluss der Versorgung

⚠ Der Anschluss der Versorgung zu RUN muss von erfahrem Fachpersonal mit den erforderlichen Kenntnissen und unter voller Einhaltung von Gesetzen, Vorschriften und Verordnungen ausgeführt werden.

Sobald RUN mit Spannung versorgt ist, sollten einige einfache Überprüfungen ausgeführt werden:

1. Prüfen, ob die BlueBUS-LED regelmäßig einmal pro Sekunde blinkt.
2. Prüfen, ob auch die LEDs an den Photozellen (sowohl an TX als auch an RX) blinken; wie die LEDs blinken, hat keine Bedeutung und hängt von anderen Faktoren ab.

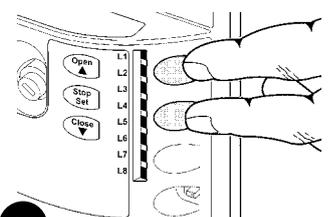
3. Prüfen, ob die am Ausgang FLASH angeschlossene Blinkleuchte und der am Ausgang S.C.A. angeschlossene Leuchtmelder ausgeschaltet sind.

Sollte all dies nicht der Fall sein, muss die Versorgung zur Steuerung unverzüglich ausgeschaltet werden, dann die elektrischen Anschlüsse genauer kontrollieren. Weitere nützliche Auskünfte über die Fehlersuche und die Diagnose befinden sich in Kapitel "7.6 Probleme und deren Lösung".

4.3) Erlernung der Vorrichtungen

Nach dem Anschluss der Versorgung muss die Steuerung die an den Eingängen BlueBUS und STOP angeschlossenen Vorrichtungen erkennen. Vor dieser Phase blinken die LEDs L1 und L2 und geben somit an, dass die Erlernung der Vorrichtungen ausgeführt werden muss.

1. Auf die Tasten **[▲]** und **[Set]** drücken und gedrückt halten
2. Die Tasten loslassen, wenn die LEDs L1 und L2 sehr schnell zu blinken beginnen (nach ca. 3 Sekunden)
3. Ein paar Sekunden warten, bis die Steuerung die Erlernung der Vorrichtungen beendet.
4. Am Ende der Erlernung muss die LED STOP leuchtend bleiben; die LEDs L1 und L2 werden sich ausschalten (eventuell werden L3 und L4 zu blinken beginnen)



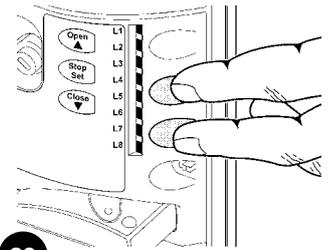
19

Die Erlernphase der angeschlossenen Vorrichtungen kann jederzeit auch nach der Installation wiederholt werden, wenn zum Beispiel eine Vorrichtung hinzugefügt wird; für die Durchführung einer neuen Erlernung siehe Par. "7.3.6 Erlernung sonstiger Vorrichtungen".

4.4) Erlernung der Torflügelänge

Nach der Erlernung der Vorrichtungen werden die LEDs L3 und L4 zu blinken beginnen. Das bedeutet, dass die Steuerung nun die Länge des Torflügels erkennen muss (Abstand vom Endschalter in Schließung bis zu jenem in Öffnung). Dieses Maß ist für die Berechnung der Stellen notwendig, an denen die Verlangsamung und die Teilöffnung erfolgen soll.

1. Auf die Tasten **[▼]** und **[Set]** drücken und gedrückt halten
2. Die Tasten loslassen, wenn die Bewegung beginnt (nach ca. 3s)
3. Prüfen, dass die laufende Bewegung eine Öffnungsbewegung ist, andernfalls auf Taste **[Stop]** drücken und Punkt "4.1 Auswahl der Richtung" genauer kontrollieren; dann ab Punkt 1 wiederholen.
4. Warten, bis die Steuerung die Öffnungsbewegung bis zum Endschalter in Öffnung beendet; gleich danach wird eine Schließbewegung beginnen.
5. Warten, bis die Steuerung die Schließbewegung beendet.



20

Sollte all dies nicht der Fall sein, muss die Versorgung zur Steuerung unverzüglich ausgeschaltet werden, dann die elektrischen Anschlüsse genauer kontrollieren. Weitere nützliche Auskünfte befinden sich in Kapitel "7.6 Probleme und deren Lösung".

4.5) Überprüfung der Torbewegung

Nach der Erlernung der Torflügelänge sollten einige Bewegungen ausgeführt werden, um zu prüfen, ob sich das Tor richtig bewegt.

1. Auf Taste **[Open]** drücken, damit eine Öffnungsbewegung erfolgt; prüfen, ob sich das Tor regelmäßig und ohne Geschwindigkeitsschwankungen öffnet; erst wenn sich das Tor zwischen 70 und 50 cm vom Endschalter in Öffnung befindet, muss es verlangsamen und aufgrund der Auslösung des Endschalters 2÷3cm vor dem mechanischen Endanschlag in Öffnung anhalten.
2. Auf Taste **[Close]** drücken, damit eine Schließbewegung erfolgt; prüfen, ob sich das Tor regelmäßig und ohne Geschwindigkeitsschwankungen schließt; erst wenn sich das Tor zwischen 70 und 50 cm vom Endschalter in Schließung befindet, muss es verlangsamen und aufgrund der Auslösung des Endschalters 2÷3cm vor dem mechanischen Endanschlag in Schließung anhalten.
3. Während der Bewegung prüfen, ob die Blinkleuchte in Abständen von 0,5 Sekunden (0,5 Sek. ein, 0,5 Sek. aus) blinkt. Falls vorhanden, auch das Blinken des an Klemme S.C.A. angeschlossenen Leuchtmelders überprüfen: langsames Blinken beim Öffnen, schnell beim Schließen.
4. Mehrere Öffnungs- und Schließbewegungen ausführen, um eventuelle Montage- und Einstellfehler oder sonstige Störungen wie zum Beispiel stärkere Reibungen festzustellen.
5. Prüfen, ob Toröffner RUN, Zahnstange und Endschalterbügel gut und stabil befestigt sind und auch plötzlichen Beschleunigungen oder Verlangsamungen der Torbewegung widerstehen.

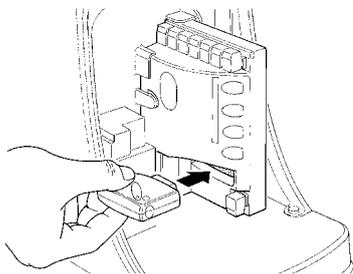
4.6) Bereits programmierte Funktionen

Die Steuerung von RUN verfügt über einige programmierbare Funktionen. Werkseitig sind diese Funktionen so konfiguriert, dass sie den Bedarf der meisten Automatisierungen zufrieden stellen müssten; sie

können aber über ein entsprechendes Programmierungsverfahren jederzeit geändert werden - siehe hierzu Paragraph "7.2 Programmierungen".

4.7) Funkempfänger

Für die Fernsteuerung von RUN ist an der Steuerung der Steckverbinder SM für Funkempfänger des Typs SMXI oder SMXIS (Optionals) vorgesehen. Zum Einstecken des Funkempfängers muss die Versorgung zu RUN abgeschaltet werden, dann den in Abbildung 21 gezeigten Vorgang ausführen. In Tabelle 6 ist beschrieben, welche Befehle von RUN welchen Ausgängen der Funkempfänger SMXI und SMXIS zugeordnet sind:



21

Für weitere Auskünfte wird auf die Anleitungen des Funkempfängers verwiesen.

Tabelle 6: Befehle mit Empfänger SMXI, SMXIS

Ausgang Nr.1	Befehl "P.P." (Schrittbetrieb)
Ausgang Nr.2	Befehl "Teilöffnung"
Ausgang Nr.3	Befehl "Öffnet"
Ausgang Nr.4	Befehl "Schließt"

5) Abnahme und Inbetriebsetzung

Um höchste Sicherheit zu gewährleisten, sind dies die wichtigsten Schritte bei der Realisierung der Automatisierung. Die Abnahme kann auch als regelmäßige Überprüfungen der Bestandteile des Automatismus verwendet werden.

⚠ Die Abnahme der gesamten Anlage muss von erfahrem Fachpersonal ausgeführt werden, das die erforderlichen Tests je nach vorhandenem Risiko auszuführen und die Einhaltung des von Gesetzen, Vorschriften und Verordnungen Vorgesehenen zu überprüfen hat, und insbesondere alle Anforderungen der Norm EN12445, die Testmethoden zur Überprüfung von Torautomatismen festlegt.

5.1) Abnahme

Für jedes einzelne Element des Automatismus wie zum Beispiel Schaltleisten, Photozellen, Notstops usw. ist eine spezielle Abnahmephase erforderlich; für diese Vorrichtungen sind die Verfahren in den jeweiligen Anleitungen auszuführen. Für die Abnahme von RUN ist folgende Arbeitssequenz durchzuführen:

1. Prüfen, ob alles in der vorliegenden Anweisung und insbesondere das in Kapitel 1 "Hinweise" angegebene genauestens eingehalten ist.
2. Den Toröffner entriegeln, wie in "Entriegelung und Bewegung von Hand" im Kapitel "Anweisungen und Hinweise für den Benutzer des Toröffners RUN" angegeben.
3. Prüfen, ob es möglich ist, den Torflügel in Öffnung und Schließung mit einer Kraft nicht über 390N (ca. 40 kg) von Hand zu bewegen
4. Den Toröffner blockieren.
5. Die vorgesehenen Steuervorrichtungen (Schlüsseltaster, Steuer-tasten oder Funksender) verwenden, die Schließung und Öffnung

- des Tors testen und prüfen, ob das Verhalten wie vorgesehen ist.
6. Den korrekten Betrieb aller Sicherheitsvorrichtungen der Anlage einzeln überprüfen (Photozellen, Schaltleisten, Notstops usw.) und prüfen, ob das Verhalten des Tors wie vorgesehen ist. Bei jeder Auslösung einer Vorrichtung wird die BlueBUS-LED an der Steuerung zweimal schneller blinken und so bestätigen, dass die Steuerung das Ereignis erkannt hat.
7. Falls die durch die Torbewegung verursachten Gefahren mittels Begrenzung der Aufprallkraft abgesichert worden sind, muss die Kraft nach den Verordnungen der Vorschrift EN 12445 gemessen werden. Falls die Regelung der "Empfindlichkeit der Wahrnehmung von Hindernissen" und die Kontrolle des "Motordrehmoments" als Hilfsmittel für das System zur Aufprallkraftreduzierung benutzt werden, die Einstellungen testen und definieren, mit welcher Einstellung die besten Ergebnisse erzielt werden.

5.2) Inbetriebsetzung

Die Inbetriebsetzung darf erst erfolgen, nachdem alle Abnahmephasen von RUN sowie der anderen Vorrichtungen erfolgreich beendet sind. Eine teilweise oder vorübergehende Inbetriebsetzung ist unzulässig.

1. Die technischen Unterlagen der Automatisierung zusammenstellen und diese mindestens 10 Jahre lang aufbewahren. Sie müssen mindestens umfassen: Gesamtzeichnung der Automatisierung, Schaltplan mit den elektrischen Anschlüssen, Risikoanalyse und jeweilige angewendete Lösungen, Konformitätserklärung des Herstellers für alle benutzten Vorrichtungen (für RUN die anliegende "CE-Konformitätserklärung" verwenden), Kopie der Bedienungsanweisungen und des Wartungsplans der Automatisierung.
2. Am Tor ein Schild mit mindestens folgenden Daten anbringen: Automatisierungstyp, Name und Adresse des Herstellers (Verantwortlicher der "Inbetriebsetzung"), Seriennummer, Baujahr und CE-Markierung.
3. In Tornähe auf bleibende Art ein Etikett oder ein Schild befestigen,

- das die Angaben zur Durchführung der Entriegelung und der Bewegung von Hand enthält.
4. Die Konformitätserklärung der Automatisierung anfertigen und dem Inhaber aushändigen.
5. Das Handbuch "Anweisungen und Hinweise für die Bedienung der Automatisierung" anfertigen und dem Inhaber der Automatisierung übergeben.
6. Den Wartungsplan der Automatisierung anfertigen und dem Inhaber aushändigen. Er muss alle Wartungsvorschriften der einzelnen Vorrichtungen enthalten.
7. Vor der Inbetriebsetzung des Automatismus, den Inhaber auf geeignete Weise und schriftlich (z.B. in den "Anweisungen und Hinweise für die Bedienung der Automatisierung" über die noch vorhandenen Gefahren und Risiken informieren.

6) Wartung und Entsorgung

Dieses Kapitel enthält die Informationen zur Anfertigung des Wartungsplans und für die Entsorgung von RUN.

6.1) Wartung

Um das Sicherheitsniveau konstant zu halten und die längste Dauer der ganzen Automatisierung zu garantieren, ist eine regelmäßige Wartung erforderlich; hierzu verfügt RUN über einen Bewegungszähler und ein Meldesystem "Wartung erforderlich" - siehe Par. "7.4.4 Wartungsmeldung".

⚠ Die Wartung muss unter genauester Einhaltung der im vorliegenden Handbuch verzeichneten Sicherheitsbestimmungen und der Verordnungen der gültigen Gesetze und Vorschriften ausgeführt werden.

Sollten Vorrichtungen vorhanden sein, die anders als RUN sind, das in ihrem Wartungsplan vorgesehene ausführen.

1. Für RUN ist max. innerhalb von 6 Monaten oder 20.000 Bewegungen nach der vorherigen Wartung eine programmierte Wartung erforderlich.
2. Alle elektrischen Versorgungsquellen abtrennen.
3. Die Verschlechterung aller Materialien der Automatisierung überprüfen, mit besonderer Achtung auf Erosions- oder Roststellen an strukturellen Teilen; Teile, die nicht genügend Garantie geben, müssen ersetzt werden.
4. Den Verschleiß der Bewegungselemente überprüfen, wie Ritzel, Zahnstange und alle Torflügelteile; abgenutzte Teile müssen ersetzt werden.
5. Die elektrischen Versorgungsquellen wieder anschließen und alle in Punkt "5.1 Abnahme" vorgesehenen Tests und Überprüfungen ausführen.

6.2) Entsorgung

Wie die Installation muss auch die Entsorgung am Lebensende dieses Produktes durch Fachpersonal ausgeführt werden. Das vorliegende Produkt besteht aus verschiedenen Werkstoffen, von denen einige recycled werden können. Andere müssen dagegen entsorgt werden. Informieren Sie sich über die für diese Produkte örtlich vorgesehenen Entsorgungs- und Recyclingsysteme.

⚠ Einige Teile des Produktes können Schadstoffe oder gefährliche Substanzen enthalten, die - falls in die Umwelt gegeben - Umwelt- und Gesundheitsschäden verursachen würden.

Wie das Symbol in Abbildung 22 angibt, darf dieses Produkt nicht in den Hausmüll gegeben werden. Differenziert und nach den örtlich vorgesehenen Verordnungen entsorgen oder das Produkt dem Verkäufer beim Kauf eines neuen, gleichwertigen Produktes zurückgeben.



Die örtlichen Verordnungen können schwere Strafen im Fall einer gesetzwidrigen Entsorgung dieses Produktes vorsehen.

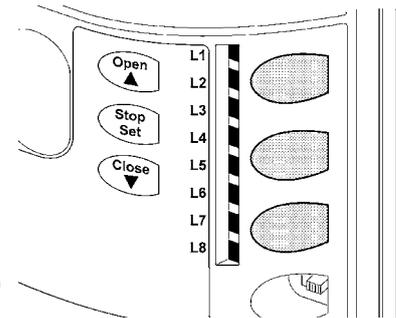
7) Weitere Auskünfte

In diesem Kapitel werden die Möglichkeiten für die Programmierung, eine persönliche Gestaltung, die Diagnose und die Fehlersuche an RUN behandelt.

7.1) Programmierungstasten

An der Steuerung von RUN sind 3 Tasten vorhanden, die sowohl zur Schaltung der Steuerung bei den Tests als auch zu Programmierungen benutzt werden können:

Open ▲	Mit Taste "OPEN" kann dem Tor ein Öffnungsbefehl erteilt werden oder sie dient zur Verschiebung des Programmierungspunktes nach oben.
Stop Set	Mit Taste "STOP" kann die Bewegung angehalten werden; falls länger als 5 Sekunden gedrückt, ermöglicht sie den Zugriff auf die Programmierung.
Close ▼	Mit Taste "CLOSE" kann dem Tor ein Schließbefehl erteilt werden oder sie dient zur Verschiebung des Programmierungspunktes nach unten.



7.2) Programmierungen

Die Steuerung von RUN verfügt über einige programmierbare Funktionen; die Einstellung dieser Funktionen erfolgt mit 3 Tasten an der Steuerung: [▲] [Set] und [▼]; die Funktionen werden über 8 LEDs angezeigt: L1....L8.

Die an RUN zur Verfügung stehenden programmierbaren Funktionen befinden sich auf 2 Niveaus:

Erstes Niveau: ON-OFF-Funktionen (aktiv oder nicht aktiv); in diesem Fall zeigt jede LED L1....L8 eine Funktion an; wenn die LED leuchtet, ist die Funktion aktiviert, wenn die LED nicht leuchtet, ist die Funktion deaktiviert - siehe Tabelle Nr. 7.

Zweites Niveau: auf einer Werteskala von 1 bis 8 einstellbare Parameter; in diesem Fall zeigt jede LED L1....L8 den unter den 8 möglichen eingestellten Wert an - siehe Tabelle Nr. 9.

7.2.1) Funktionen des ersten Niveaus (ON-OFF-Funktionen)

Tabelle Nr. 7: Liste der programmierbaren Funktionen: erstes Niveau

Led	Funktion	Beschreibung
L1	Automatische Schließung	Diese Funktion ermöglicht eine automatische Torschließung nach der programmierten Pausezeit; werkseitig ist die Pausezeit auf 30 Sekunden eingestellt, kann aber auf 5, 15, 30, 45, 60, 80, 120 und 180 Sekunden geändert werden. Wenn die Funktion nicht aktiviert ist, ist die Funktionsweise "halbautomatisch".
L2	Zulauf nach Durchfahrt	Diese Funktion ermöglicht es, das Tor nur in der zur Durchfahrt nötigen Zeit geöffnet zu halten. In der Tat der Photozelle verursacht die Auslösung von "Foto" immer ein automatisches erneutes Schließen mit einer Pausezeit von 5 Sekunden (unabhängig vom programmierten Wert). Das Verhalten ändert sich je nachdem, ob die Funktion "Automatische Schließung" aktiviert ist oder nicht. Mit deaktivierter "Automatischer Schließung": Das Tor erreicht immer die Position ganz geöffnet (auch wenn die Photozelle vorher frei wird). Beim Freiwerden der Photozelle wird der automatische Zulauf mit einer Pause von 5 Sekunden verursacht. Mit aktivierter "Automatischer Schließung": die Öffnungsbewegung stoppt gleich nach dem Freiwerden der Photozellen und es wird der automatische Zulauf mit einer Pause von 5 Sekunden verursacht. Die Funktion "Zulauf nach Durchfahrt der Photozelle" wird im Falle von Bewegungen, die mit einem Stoppbefehl unterbrochen wurden, immer deaktiviert. Wenn die Funktion "Zulauf nach Durchfahrt der Photozelle" nicht aktiviert ist, wird die Pausezeit wie programmiert sein, oder es erfolgt kein automatischer Zulauf, wenn die Funktion nicht aktiviert war.
L3	Schließt immer	Die Funktion "Schließt Immer" wird ausgelöst und verursacht eine Schließung, wenn nach einem Stromausfall und der Rückkehr der Stromversorgung das geöffnete Tor wahrgenommen wird. Aus Sicherheitsgründen geht der Bewegung eine Vorwarnung von 5 Sekunden voraus.
L4	Verlangsamung	Bei der Aktivierung dieser Funktion schaltet sich eine Verlangsamungsphase am Ende der Öffnungs- und Schließbewegungen ein. Die verlangsamte Geschwindigkeit entspricht ca. 60% der Nenngeschwindigkeit. Achtung: während der Verlangsamung entwickelt der Motor nur die Hälfte des Nenn Drehmoments, daher kann die Verlangsamung an schweren Toren oder an Toren, die das maximale Drehmoment erfordern, nicht benutzt werden. Wenn die Funktion Verlangsamung nicht aktiviert ist, wird die Geschwindigkeit während der gesamten Bewegung konstant bleiben.
L5	Anlauf	Bei der Aktivierung dieser Funktion schaltet sich die allmähliche Beschleunigung am Beginn jeder Bewegung aus, so dass man die maximale Anlaufkraft zur Verfügung hat. Das ist im Fall hoher statischer Reibungen, wie zum Beispiel bei einer Blockierung des Tors durch Schnee oder Eis nützlich. Wenn die Funktion Anlauf nicht aktiviert ist, beginnt die Bewegung mit einer allmählichen Beschleunigung.
L6	Vorwarnen	Mit der Vorwarnfunktion wird eine 3 Sekunden lange Pause zwischen Einschalten der Blinkleuchte und Bewegungsbeginn erfolgen, um die Gefahr vorab bekannt zu geben. Wenn die Vorwarnfunktion nicht aktiviert ist, erfolgen Einschalten der Blinkleuchte und Bewegungsbeginn gleichzeitig.
L7	"Schließt" wird "Teilöffnung"	Wenn man diese Funktion aktiviert, verursachen alle Befehle "schließt" (Eingang "CLOSE" oder Taste "schließt" am Funksender eine Teilöffnung (siehe LED L6 in Tabelle Nr. 9).
L8	Modus "Slave"	Wenn man diese Funktion aktiviert, wird RUN zu "Slave": man kann so 2 Motoren auf gegenüber liegenden Torflügeln synchronisieren, an denen der eine Motor der "Master" und der andere der "Slave" ist; für weitere Auskünfte wird auf Par. "7.3.5 RUN in Modalität "Slave" verwiesen.

Während des Normalbetriebs von RUN sind die LEDs L1....L8 nach dem Status der Funktion, die sie darstellen, ein- oder ausgeschaltet, zum Beispiel ist L1 eingeschaltet, wenn die Funktion "Automatische Schließung" aktiviert ist.

7.2.2 Erstes Niveau - Programmierungen (ON-OFF-Funktionen)

Werkseitig sind alle Funktionen des ersten Niveaus auf "OFF" gestellt, was man aber jederzeit ändern kann, wie in Tabelle Nr. 8 angegeben. Bei der Durchführung des Verfahrens vorsichtig sein, da die Zeitgrenze 10s zwischen dem Druck auf eine Taste und die andere beträgt. Nach Ablauf dieser Zeit wird das Verfahren automatisch beendet, mit Speicherung der bisher ausgeführten Änderungen.

Tabelle Nr. 8: Änderung der ON-OFF-Funktionen		Beispiel
1.	Auf Taste [Set] drücken und ca. 3 Sekunden gedrückt halten	 3s
2.	Taste [Set] loslassen, wenn LED L1 zu blinken beginnt	
3.	Auf Taste [▲] oder [▼] drücken, um das Blinken auf die LED zu verschieben, welche die zu ändernde Funktion darstellt	
4.	Auf Taste [Set] drücken, um den Status der Funktion zu ändern (kurzes Blinken = OFF; langes Blinken = ON)	
5.	10s warten, um die Programmierung aufgrund des Ablaufs der Zeitgrenze zu beenden.	 10s

Anmerkung: die Punkte 3 und 4 können während derselben Programmierungsphase wiederholt werden, um andere Funktionen auf ON oder OFF zu stellen.

7.2.3 Funktionen des zweiten Niveaus (einstellbare Parameter)

Tabelle Nr. 9: Liste der programmierbaren Funktionen: zweites Niveau				
Eingangs-LED	Parameter	LED (Niveau)	Wert	Beschreibung
L1	Pausezeit	L1	5 Sekunden	Stellt die Pausezeit ein bzw. die Zeit vor dem automatischen Zulauf. Wirkt nur, falls die automatische Schließung aktiviert ist.
		L2	15 Sekunden	
		L3	30 Sekunden	
		L4	45 Sekunden	
		L5	60 Sekunden	
		L6	80 Sekunden	
		L7	120 Sekunden	
		L8	180 Sekunden	
L2	Schrittbetriebfunktion	L1	auf-Stopp-zu-Stopp	Stellt die Sequenz der Steuerbefehle ein, die dem Eingang Schrittbetrieb oder dem 1. Funkbefehl zugeteilt sind.
		L2	auf-Stopp-zu-auf	
		L3	auf-zu-auf-zu	
		L4	Wohnblockbetrieb	
		L5	Wohnblockbetrieb 2 (länger als 2" bewirkt Stopp)	
		L6	Schrittbetrieb 2 (kürzer als 2" bewirkt Teilöffnung)	
		L7	Todmann	
		L8	Öffnung in "halbautomatisch", Schließung mit "Todmannfunktion"	
L3	Empfindlichkeit der Wahrnehmung von Hindernissen	L1	Sehr hohe Empfindlichkeit (leichte Tore)	Regelt die Empfindlichkeit der Wahrnehmung von Hindernissen. Bitte beachten: die Empfindlichkeit ist auch durch die Motorkraft beeinflusst (siehe L5); die Motorkraft muss immer als erste geregelt werden, erst danach kann die Empfindlichkeit der Wahrnehmung von Hindernissen eingestellt werden.
		L2	Sehr hohe Empfindlichkeit	
		L3	Hohe Empfindlichkeit	
		L4	Mittlere Empfindlichkeit	
		L5	Mittlere bis niedrige Empfindlichkeit	
		L6	Niedrige Empfindlichkeit	
		L7	Sehr niedrige Empfindlichkeit	
		L8	Sehr niedrige Empfindlichkeit (schwere Tore)	
L4	Ausgang S.C.A.	L1	Funktion "Torzustandskontrolle"	Stellt die Funktion ein, die Ausgang S.C.A. zugeordnet ist (gleich, welche Funktion dem Ausgang zugeordnet ist, liefert er, falls aktiviert, eine Spannung von 24V -30 +50% mit einer Höchstleistung von 4W).
		L2	aktiviert, wenn Tor geschlossen	
		L3	aktiviert, wenn Tor geöffnet	
		L4	aktiviert mit Funkausgang Nr. 2	
		L5	aktiviert mit Funkausgang Nr. 3	
		L6	aktiviert mit Funkausgang Nr. 4	
		L7	Leuchtmelder Wartung erforderlich	
		L8	Elektroschloss	
L5	Kontrolle der Motorkraft	L1	Fix auf 40%	Regelt die Kraft nach dem Start des Motors, um sie dem Torgewicht anzupassen. Das Kontrollsystem misst auch die Umgebungstemperatur und erhöht die Kraft selbsttätig im Fall besonders niedriger Temperaturen.
		L2	Fix auf 50%	
		L3	Fix auf 60%	
		L4	Fix auf 80%	
		L5	Fix auf 100%	
		L6	halbautomatisch 1 = 40÷100% (1)	
		L7	halbautomatisch 2 = 60÷100%(1)	
		L8	Automatisch = 0÷100% (2)	

Eingangs-LED	Parameter	LED (Niveau)	Wert	Beschreibung
L6	Teilöffnung	L1	0,5 mt	Regelt die Gehflügelweite. Der Befehl für eine Teilöffnung kann mit der 2. Funksendertaste oder mit "SCHLIEßT" erteilt werden, wenn die Funktion "Schließt" zu "Gehflügel" geworden ist.
		L2	1 mt	
		L3	1,5 mt	
		L4	2 mt	
		L5	2,5 mt	
		L6	3 mt	
		L7	3,4 mt	
		L8	4 mt	
L7	Wartungsmeldung	L1	automatisch (auf der Basis der Beschwerlichkeit der Bewegungen)	Regelt die Anzahl an Bewegungen, nach der die Anzeige "Wartung der Automatisierung erforderlich" erscheinen soll (siehe Par. "7.4.4 Wartungsmeldung").
		L2	2.000	
		L3	4.000	
		L4	7.000	
		L5	10.000	
		L6	15.000	
		L7	20.000	
		L8	30.000	
L8	Liste der Alarmhistorik	L1	Ergebnis 1. Bewegung (die zuletzt ausgeführte)	Zur Überprüfung der Störung, die bei den 8 letzten Bewegungen erfolgte (siehe Par. "7.6.1 Alarmhistorik").
		L2	Ergebnis 2. Bewegung	
		L3	Ergebnis 3. Bewegung	
		L4	Ergebnis 4. Bewegung	
		L5	Ergebnis 5. Bewegung	
		L6	Ergebnis 6. Bewegung	
		L7	Ergebnis 7. Bewegung	
		L8	Ergebnis 8. Bewegung	

Anmerkung: "■" ist die werkseitige Einstellung

Anmerkung (1): Regelt die notwendige Kraft selbsttätig unter Beibehaltung einer garantierten minimalen Kraft.

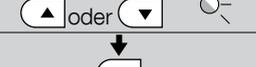
Anmerkung (2): Regelt die notwendige Kraft selbsttätig.

Alle Parameter können ohne Gegenanzeigen beliebig eingestellt werden, nur die Einstellungen der "Empfindlichkeit bei der Wahrnehmung von Hindernissen" und die "Motorkraftkontrolle" könnten besondere Aufmerksamkeit erfordern:

- Von der Anwendung hoher Kraftwerte zum Ausgleich nicht normaler Reibungen des Tors wird abgeraten; eine zu hohe Kraft kann den Betrieb des Sicherheitssystems beeinträchtigen oder das Tor beschädigen.
- Wenn die Kontrolle der "Empfindlichkeit der Wahrnehmung von Hindernissen" als Hilfsmittel zum System für die Reduzierung der Aufprallkraft benutzt wird, muss die Kraftmessung nach jeder Einstellung wiederholt werden, wie laut Norm EN 12445 vorgesehen.
- Verschleiß und Witterung beeinflussen die Torbewegung; die Krafteinstellung muss daher periodisch überprüft werden.

7.2.4) Zweites Niveau: Programmierungen (einstellbare Parameter)

Werkseitig sind diese Parameter wie in Tabelle Nr. 9 mit "■" angegeben eingestellt, sie können aber wie in Tabelle Nr. 10 angegeben jederzeit geändert werden. Bei der Durchführung des Verfahrens vorsichtig sein, da die Zeitgrenze 10s zwischen dem Druck auf eine Taste und die andere beträgt. Andernfalls wird das Verfahren automatisch beendet, mit Speicherung der bisher ausgeführten Änderungen.

Tabelle Nr. 10: Änderung der einstellbaren Parameter	Beispiel
1. Auf Taste [Set] drücken und ca. 3 Sekunden gedrückt halten	
2. Taste [Set] loslassen, wenn LED L1 zu blinken beginnt	
3. Auf die Tasten [▲] oder [▼] drücken, um das Blinken auf die "Eingangs-LED" zu verschieben, die den zu ändernden Parameter darstellt	
4. Auf Taste [Set] drücken und gedrückt halten; die Taste [Set] muss während der Schritte 5 und 6 ständig gedrückt bleiben	
5. Ca. 3s warten, danach wird die LED aufleuchten, die das aktuelle Niveau des zu ändernden Parameters darstellt	
6. Auf die Tasten [▲] oder [▼] drücken, um die LED zu verschieben, die den Wert des Parameters darstellt.	
7. Die Taste [Set] loslassen	
8. 10s warten, um die Programmierung aufgrund des Ablaufs der Zeitgrenze zu beenden.	

Anmerkung: die Punkte von 3 bis 7 können während derselben Programmierungsphase wiederholt werden, um mehrere Parameter einzustellen.

7.2.5 Erstes Niveau - Programmierungsbeispiel (ON-OFF-Funktionen)

Als Beispiel wird die Sequenz der Vorgänge angegeben, die auszuführen sind, um die werkseitige Einstellung zur Aktivierung der Funktionen "Automatische Schließung" (L1) und "Schließt immer" (L3) zu ändern.

Tabelle Nr. 11: Erstes Niveau - Programmierungsbeispiel	Beispiel
1. Auf Taste [Set] drücken und ca. 3 Sekunden gedrückt halten	 3s
2. Taste [Set] loslassen, wenn LED L1 zu blinken beginnt	 L1 
3. Einmal auf Taste [Set] drücken, um den Status der L1 zugeordneten Funktion (Automatische Schließung) zu ändern; L1 führt nun ein langes Blinken aus	  L1
4. Zweimal auf Taste [▼] drücken, damit das Blinken auf LED L3 übergeht	   L3
5. Einmal auf Taste [Set] drücken, um den Status der L3 zugeordneten Funktion (Schließt immer) zu ändern; L3 führt nun ein langes Blinken aus	  L3
6. 10s warten, um die Programmierung aufgrund des Ablaufs der Zeitgrenze zu beenden.	 10s

Am Ende dieser Vorgänge müssen die LEDs L1 und L3 eingeschaltet bleiben, was bedeutet, dass die Funktionen "Automatische Schließung" und "Schließt immer" aktiviert sind.

7.2.6 Zweites Niveau: Programmierungsbeispiel (einstellbare Parameter)

Als Beispiel wird die Sequenz der Vorgänge angegeben, die auszuführen sind, um die werkseitige Einstellung der Parameter zu ändern und die "Pausezeit" auf 60 Sekunden zu erhöhen (Eingang an L1 und Niveau auf L5) und die "Drehmomentkontrolle" auf 60% zu verringern (Eingang an L5 und Niveau auf L3).

Tabelle Nr. 12: Zweites Niveau - Programmierungsbeispiel	Beispiel
1. Auf Taste [Set] drücken und ca. 3 Sekunden gedrückt halten	 3s
2. Taste [Set] loslassen, wenn LED L1 zu blinken beginnt	 L1 
3. Auf Taste [Set] drücken und gedrückt halten; die Taste [Set] muss während der Schritte 4 und 5 ständig gedrückt bleiben	
4. Ca. 3s warten, danach wird die LED L3 aufleuchten, die das aktuelle Niveau der "Pausezeit" darstellt	 L3 3s
5. Zweimal auf Taste [▼] drücken, damit das Blinken auf LED L5 übergeht, die den neuen Wert der "Pausezeit" darstellt	   L5
6. Die Taste [Set] loslassen	
7. Viermal auf Taste [▼] drücken, damit das Blinken auf LED L5 übergeht	     L5
8. Auf Taste [Set] drücken und gedrückt halten; die Taste [Set] muss während der Schritte 9 und 10 ständig gedrückt bleiben	
9. Ca. 3s warten, danach wird die LED L5 aufleuchten, die das aktuelle Niveau der "Drehmomentkontrolle" darstellt	3s  L5
10. Dreimal auf Taste [▲] drücken, damit das Blinken auf LED L3 übergeht, die den neuen Wert der "Drehmomentkontrolle" darstellt	    L3
11. Die Taste [Set] loslassen	
12. 10s warten, um die Programmierung aufgrund des Ablaufs der Zeitgrenze zu beenden.	 10s

7.3) Hinzufügen oder Entfernen von Vorrichtungen

Einer Automatisierung mit RUN können jederzeit Vorrichtungen hinzugefügt bzw. aus dieser entfernt werden. Insbesondere können an "BlueBUS" und am Eingang "STOP" verschiedenartige Vorrichtungen angeschlossen werden, wie in den folgenden Paragraphen angegeben.

Nachdem Vorrichtungen hinzugefügt oder entfernt worden sind, muss die Erlernung der Vorrichtungen wie in Par. "7.3.6 Erlernung sonstiger Vorrichtungen" beschrieben wiederholt werden.

7.3.1) BlueBUS

BlueBUS ist eine Technik, mit der kompatible Vorrichtungen mit nur zwei Leitern, auf denen sowohl die Stromversorgung als auch die Kommunikationssignale übermittelt werden, angeschlossen werden können. Alle Vorrichtungen werden an den 2 BlueBUS Leitern parallel geschaltet; eine Polung ist nicht zu beachten. Jede Vorrichtung wird einzeln erkannt, da ihr während der Installation eine eindeutige Adresse zugeteilt wird. An BlueBUS kann man zum Beispiel Photozellen, Sicherheitsvorrichtungen,

Steuertasten, Leuchtmelder usw. anschließen. Die Steuerung von RUN erkennt nacheinander alle angeschlossenen Vorrichtung durch eine geeignete Erlernung und ist imstande, alle möglichen Störungen mit höchster Sicherheit wahrzunehmen. Deshalb muss an der Steuerung jedes Mal, wenn eine an BlueBUS angeschlossene Vorrichtung hinzugefügt oder entfernt wird, die Erlernphase ausgeführt werden, wie in Par. "7.3.6 Erlernung sonstiger Vorrichtungen" beschrieben.

7.3.2) Eingang STOP

STOP ist der Eingang, der das unverzügliche Anhalten der Bewegung verursacht, gefolgt von einer kurzen Umkehrung. An diesen Eingang können Vorrichtungen mit Ausgang mit gewöhnlich geöffnetem "NO"-Kontakt, mit gewöhnlich geschlossenem "NC"-Kontakt oder Vorrichtungen mit Ausgang mit konstantem 8,2kΩ Widerstand, wie zum Beispiel Schaltleisten, angeschlossen werden.

Wie für BlueBUS, erkennt die Steuerung die am Eingang STOP angeschlossene Vorrichtung während der Erlernung - siehe Paragraph "7.3.6 Erlernung sonstiger Vorrichtungen"; danach wird ein STOP verursacht, wenn eine beliebige Variation des erlernten Status erfolgt. Mit entsprechenden Maßnahmen kann am Eingang STOP mehr als eine Vorrichtung auch anderen Typs angeschlossen werden:

- Mehrere NO-Vorrichtungen können miteinander in unbegrenzter Menge parallelgeschaltet werden.
- Mehrere NC-Vorrichtungen können miteinander in unbegrenzter Menge seriengeschaltet werden.

- Zwei Vorrichtungen mit konstantem 8,2kΩ Widerstand können parallelgeschaltet werden, im Falle von mehr als 2 Vorrichtungen müssen alle mit nur einem 8,2kΩ Endwiderstand "kaskadengeschaltet" werden.
- Die Kombination NO und NC ist möglich, wenn die 2 Kontakte parallelgeschaltet werden, wobei ein 8,2kΩ Widerstand mit dem NC-Kontakt seriengeschaltet werden muss (daher ist auch die Kombination von 3 Vorrichtungen NO, NC und 8,2kΩ möglich).

⚠ Falls der Eingang STOP für den Anschluss von Vorrichtungen mit Sicherheitsfunktionen benutzt wird, garantieren nur die Vorrichtungen mit Ausgang mit konstantem 8,2kΩ Widerstand die Sicherheitsklasse 3 gegen Defekte gemäß der Vorschrift EN 954-1.

7.3.3) Photozellen

Das System "BlueBUS" ermöglicht durch die Adressierung mit speziellen Überbrückungen die Erkennung der Photozellen seitens der Steuerung und die Zuteilung der korrekten Wahrnehmungsfunktion. Die Adressierung muss sowohl an TX als auch an RX ausgeführt werden (wobei die Überbrückungen auf dieselbe Art anzuordnen sind). Überprüft werden muss, dass andere Photozellenpaare nicht dieselbe Adresse haben.

An einem Schiebetorautomatismus mit RUN können die Photozellen wie auf Abbildung 24 gezeigt installiert werden.

Nach der Installation oder Entfernung von Photozellen muss an der Steuerung die Erlernphase ausgeführt werden, wie in Par. "7.3.6 Erlernung sonstiger Vorrichtungen" beschrieben.

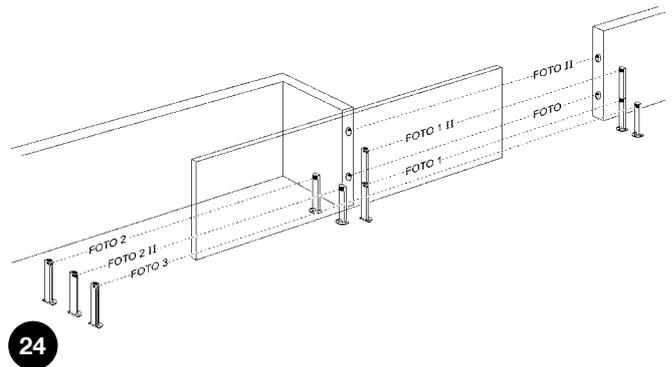


Tabelle Nr.14: Adressierungen der Photozellen

Photozellen	Überbrückungen	Photozellen	Überbrückungen
FOTO Externe Photozelle H = 50 mit Auslösung in Schließung		FOTO 2 Externe Photozelle mit Auslösung in Öffnung	
FOTO II Externe Photozelle H = 100 mit Auslösung in Schließung		FOTO 2 II Interne Photozelle mit Auslösung in Öffnung	
FOTO 1 Interne Photozelle H = 50 mit Auslösung in Schließung		FOTO 3 Nur eine Photozelle für den ganzen Automatismus	
FOTO 1 II Interne Photozelle H = 100 mit Auslösung in Schließung		<p>⚠ Wenn FOTO 3 zusammen mit FOTO II installiert wird, muss die Position der Photozellenelemente (TX - RX) gemäß den Angaben in den Anweisungen der Photozellen sein.</p>	

7.3.4) Lichtsensor FT210B

Der Lichtsensor FT210B vereint in einer einzigen Vorrichtung ein Kraftbegrenzungssystem (Typ C gemäß EN12453) und einen Präsenzdetektor, der Hindernisse auf der optischen Achse zwischen Sender TX und Empfänger RX wahrnimmt (Typ D gemäß EN12453). Die Statussignale der Schaltleiste werden über den Strahl der Photozelle in den Lichtsensor FT210B gesendet, wodurch 2 Systeme in einer einzigen Vorrichtung integriert sind. Der übertragende Teil am beweglichen Torflügel ist durch Batterien gespeist, was unschöne Anschlüsse verhindert; spezielle Kreisläufe verringern den Verbrauch der Batterie, deren Dauer bis zu 15 Jahre lang garantiert wird (siehe Details dieser Schätzung in den Anweisungen des Produkts).

Mit nur einer Vorrichtung FT201B, kombiniert mit einer Schaltleiste (z.B. TCB65) kann das Sicherheitsniveau der "Hauptschaltleiste" erreicht werden, das von Norm EN12453 für jede Art von "Benutzung" und "Aktivierung" verlangt ist.

Der Lichtsensor FT210B in Kombination mit resistiven Schaltleisten (8,2kΩ) funktioniert auch, wenn ein Teil defekt ist (Klasse 3 gemäß EN 954-1). Er verfügt über einen speziellen Antikollisionskreislauf, der Interferenzen mit anderen, auch nicht synchronisierten Detektoren verhindert und die Hinzufügung weiterer Photozellen ermöglicht, wie zum Beispiel für die Durchfahrt von schweren Fahrzeugen, wo gewöhnlich eine zweite Photozelle in 1 m Höhe ab Boden angebracht wird.

Für weitere Auskünfte über Anschluss und Adressierung wird auf die Anleitung von FT210B verwiesen.

7.3.5) RUN in Modalität "Slave"

Durch geeignete Programmierung und Anschluss kann RUN als "Slave" funktionieren; diese Funktionsweise wird angewendet, wenn 2 gegenüber liegende Torflügel automatisiert werden sollen und man will, dass die Bewegungen der Torflügel synchronisiert erfolgen. In dieser Modalität funktioniert ein RUN als Master bzw. er steuert die Bewegungen, wogegen der andere RUN als Slave funktioniert bzw. die vom Master gesendeten Befehle ausführt (werkseitig sind alle RUN Master).

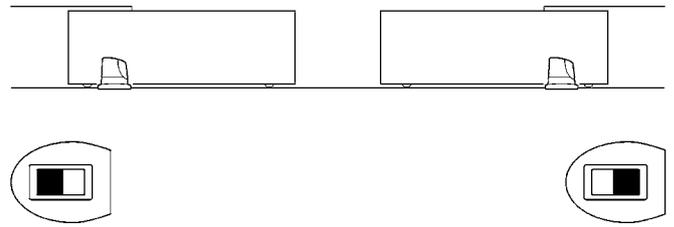
Um RUN als Slave zu konfigurieren, muss die Funktion "Slave Modus" auf erstem Niveau aktiviert werden (siehe Tabelle 7).

Die Verbindung zwischen RUN Master und RUN Slave erfolgt über BlueBUS.

⚠ In diesem Fall muss die Polung des Anschlusses zwischen den beiden RUN beachtet werden, wie in Abbildung 26 gezeigt (die anderen Vorrichtungen werden weiterhin keine Polung haben).

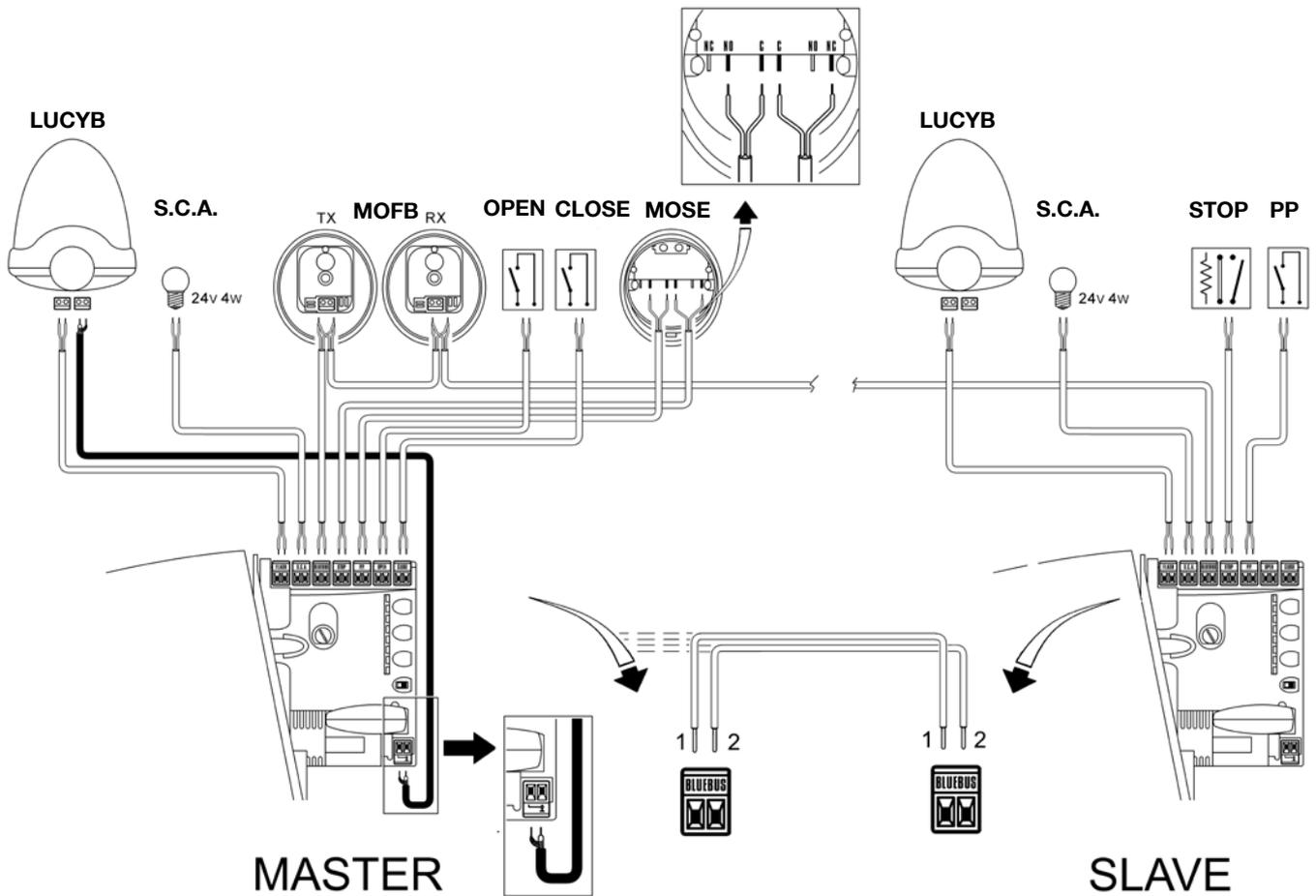
Für die Installation von 2 RUN als Master und Slave ist wie folgt vorzugehen:

- Die beiden Motoren wie in Abbildung 25 gezeigt installieren. Welcher Motor als Master und als Slave funktioniert, ist nicht von Bedeutung; bei der Wahl auf die Bequemlichkeit der Anschlüsse achten und auf die Tatsache, dass der Befehl Schrittbetrieb am Slave nur die vollständige Öffnung des Torflügels Slave bewirken wird.



25

- Die beiden Motoren wie in Abbildung 26 gezeigt anschließen.
- Die Richtung der Öffnungsbewegung der 2 Motoren auswählen, wie in Par. "4.1 Auswahl der Richtung") angegeben.
- Die beiden Motoren speisen.
- Am RUN Slave, die Funktion "Slave Modus" programmieren (siehe Tabelle 7).
- Die Erfassung der Vorrichtungen am RUN Slave ausführen (siehe Par. "4.3 Erlernung der Vorrichtungen").
- Die Erfassung der Vorrichtungen am RUN Master ausführen (siehe Par. "4.3 Erlernung der Vorrichtungen").
- Die Erfassung der Länge der Torflügel am RUN Master ausführen (siehe Par. "4.4 Erlernung der Torflügelänge").



26

Beim Anschluss von 2 RUN im Modus Master-Slave ist folgendes zu beachten:

- Alle Vorrichtungen inklusive Funkempfänger müssen am Master RUN angeschlossen sein (wie in Abb. 26)
- Alle Programmierungen am Slave RUN mit Ausnahme jener in Tabelle 14 werden ignoriert (die Programmierungen am Master RUN herrschen vor).

Tabelle 14: vom RUN Master unabhängige Programmierungen am RUN Slave

Funktionen ersten Niveaus (ON - OFF Funktionen)	Funktionen zweiten Niveaus (einstellbare Parameter)
Stand-by	Empfindlichkeit der Wahrnehmung von Hindernissen
Anlauf	Ausgang SCA
Slave-Modus	Motordrehmomentkontrolle
	Liste der Alarmhistorik

Am Slave kann folgendes angeschlossen werden:

- eine eigene Blinkleuchte (Flash)
- ein eigener Leuchtmelder Tor Geöffnet (S.C.A.)
- eine eigene Schalleiste (Stop)
- eine eigene Steuervorrichtung (P.P. = Schrittbetrieb) für die vollständige Öffnung nur des Torflügels Slave.
- Am Slave sind die Eingänge Open und Close nicht benutzt.

7.3.6) Erlernung sonstiger Vorrichtungen

Gewöhnlich erfolgt die Erlernung der an BlueBUS und am Eingang STOP angeschlossenen Vorrichtungen bei der Installation; wenn jedoch Vorrichtungen hinzugefügt bzw. entfernt werden, kann die Erlernung wie in Tabelle 15 angegeben erneut ausgeführt werden.

Tabelle Nr. 15: Erlernung sonstiger Vorrichtungen

	Beispiel
1. Auf die Tasten [▲] und [Set] drücken und gedrückt halten	
2. Die Tasten loslassen, wenn die LEDs L1 und L2 sehr schnell zu blinken beginnen (nach ca. 3 Sekunden)	
3. Ein paar Sekunden warten, bis die Steuerung die Erlernung der Vorrichtungen beendet.	
4. Am Ende der Erlernung werden sich die LEDs L1 und L2 ausschalten, die LED STOP muss weiterhin leuchten, wogegen die LEDs L1...L8 je nach dem Status der ON-OFF Funktionen, die sie darstellen, aufleuchten werden.	

⚠ Nachdem Vorrichtungen hinzugefügt oder entfernt worden sind, muss die Abnahme der Automatisierung erneut ausgeführt werden, wie in Par. "5.1 Abnahme" beschrieben.

7.4) Sonderfunktionen

7.4.1) Funktion "Öffnet Immer"

Die Funktion "Öffnet Immer" ist eine Besonderheit der Steuerung, mit der immer eine Öffnungsbewegung erfolgt, wenn der Befehl "Schrittbetrieb" länger als 2 Sekunden gegeben wird; das ist zum Beispiel nützlich, um an Klemme Schrittbetrieb den Kontakt einer

Zeituhr anzuschließen, damit das Tor in einer bestimmten Zeitspanne geöffnet bleibt. Diese Eigenschaft ist unabhängig von der Programmierung des Eingangs P.P. (Schrittbetrieb), außer wenn dieser Eingang als "Schließt" programmiert ist - siehe Parameter "Funktion Schrittbetrieb" in Tabelle Nr. 9.

7.4.2) Funktion "Todmann"

Wenn eine Sicherheitsvorrichtung nicht korrekt funktionieren oder außer Betrieb sein sollte, kann das Tor in der Modalität "Todmann" bewegt werden. Für Einzelheiten wird auf den Paragraph "Torbewegung mit

Sicherheitsvorrichtungen außer Betrieb" in der Anlage "Anweisungen und Hinweise für den Benutzer des Toröffners RUN" verwiesen.

7.4.3) Motortemperaturregelung.

RUN verfügt über ein hoch entwickeltes System zur Kontrolle der Motortemperatur. Der Temperaturwert im RUN wird mit einem speziellen Sensor gemessen und für das Temperaturregelsystem benutzt, das den Motor erwärmt, wenn die Außentemperatur unter

einen Grenzwert von ca. 0°C sinkt (falls die Funktion "Heizung" über die Fernprogrammierungseinheit "OperaView" aktiviert ist) oder die Kühlung des Motors beschleunigt, wenn die Temperatur ca. 40°C überschreitet.

7.4.4) Wartungsanzeige

RUN warnt den Benutzer, wann eine Wartung der Automatisierung ausgeführt werden soll. Die Anzahl an Bewegungen, nach der die Anzeige erfolgt, kann im einstellbaren Parameter "Wartungsanzeige" (siehe Tabelle 9) auf 8 Niveaus ausgewählt werden. Das Niveau 1 ist "automatisch" und berücksichtigt die Beschwerlichkeit der Bewegungen bzw. den Kraftaufwand und die Dauer der Bewegung, wogegen die anderen Niveaus von der Anzahl der Bewegungen ausgehen.

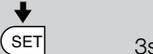
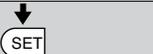
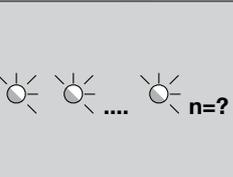
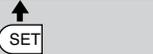
Die Meldung „Wartung erforderlich“ erfolgt durch die Blinkleuchte Flash oder die am Ausgang SCA angeschlossene Lampe, wenn dieser als "Wartungsleuchtmelder" programmiert ist (siehe Tabelle 9). Je nach Anzahl an ausgeführten Bewegungen im Vergleich zum programmierten Grenzwert geben die Blinkleuchte Flash und die Wartungskontrolllampe die in Tabelle 16 angegebenen Anzeigen ab.

Tabelle 16: Wartungsanzeige mit Flash und Wartungskontrolllampe

Anzahl an Bewegungen	Anzeige an Flash	Anzeige durch Wartungskontrolllampe
weniger als 80% des Grenzwerts	Normale (0.5s ein, 0.5s aus)	2s ein, wenn die Öffnung beginnt
zwischen 81 und 100% des Grenzwerts	Bleibt am Anfang der Bewegung 2 Sekunden eingeschaltet, wird dann normal fortgesetzt	Blinkt während der ganzen Bewegung
mehr als 100% des Grenzwerts	Bleibt am Anfang und am Ende der Bewegung 2 Sekunden eingeschaltet, wird dann normal fortgesetzt	Blinkt immer.

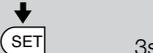
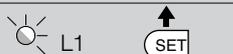
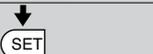
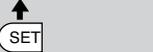
Überprüfung der Anzahl an ausgeführten Bewegungen

Mit der Funktion "Wartungsanzeige" kann die Anzahl an ausgeführten Bewegungen als Prozentsatz des eingestellten Grenzwertes überprüft werden. Die Überprüfung wie in Tabelle 17 beschrieben ausführen.

Tabelle 17: Überprüfung der Anzahl an ausgeführten Bewegungen	Beispiel
1. Auf Taste [Set] drücken und ca. 3 Sekunden gedrückt halten	
2. Taste [Set] loslassen, wenn LED L1 zu blinken beginnt	
3. Auf die Tasten [▲] oder [▼] drücken, um das Blinken auf die LED L7, die "Eingangs-LED" des Parameters "Wartungsanzeige" zu verschieben	
4. Auf Taste [Set] drücken und gedrückt halten; die Taste [Set] muss während der Schritte 5, 6 und 7 ständig gedrückt bleiben	
5. Ca. 3s warten, danach wird die LED aufleuchten, die das aktuelle Niveau des Parameters "Wartungsanzeige" darstellt	
6. Auf die Tasten [▲] und [▼] drücken und sofort loslassen.	
7. Die LED, die dem gewählten Niveau entspricht, wird mehrmals blinken. Die Anzahl an Blinkvorgängen steht für den Prozentsatz an ausgeführten Bewegungen (Vielfaches von 10%) im Vergleich zum eingestellten Grenzwert. Beispiel: eingestellt ist die Wartungsanzeige an L6 mit 10000. 10% entspricht 1000 Bewegungen. Wenn die LED vier Mal blinkt, ist 40% der Bewegungen erreicht worden (zwischen 4000 und 4999 Bewegungen). Unter 10% der Bewegungen erfolgt kein Blinken.	
8. Die Taste [Set] loslassen.	

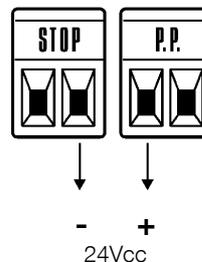
Nullstellung des Bewegungszählers

Nach der Wartung der Anlage muss der Bewegungszähler auf Null gestellt werden. Wie in Tabelle 18 beschrieben vorgehen.

Tabelle 18: beschrieben vorgehen	Beispiel
1. Auf Taste [Set] drücken und ca. 3 Sekunden gedrückt halten	
2. Taste [Set] loslassen, wenn LED L1 zu blinken beginnt	
3. Auf die Tasten [▲] oder [▼] drücken, um das Blinken auf die LED L7, die "Eingangs-LED" des Parameters "Wartungsanzeige" zu verschieben	
4. Auf Taste [Set] drücken und gedrückt halten; die Taste [Set] muss während der Schritte 5 und 6 ständig gedrückt bleiben	
5. Ca. 3s warten, danach wird die LED aufleuchten, die das aktuelle Niveau des Parameters "Wartungsanzeige" darstellt	
6. Mindestens 5 Sekunden lang auf die Tasten [▲] und [▼] drücken und gedrückt halten, dann die beiden Tasten loslassen. Die LED, die dem gewählten Niveau entspricht, wird mehrmals schnell blinken und so anzeigen, dass der Bewegungszähler auf Null gestellt worden ist.	
7. Die Taste [Set] loslassen.	

7.5) Verbindung sonstiger Vorrichtungen

Sollte es notwendig sein, externe Vorrichtungen wie zum Beispiel einen Proximity-Leser für Transponder-Cards oder die Beleuchtung des Schlüsseltasters anzuschließen, kann die Versorgung wie in Abbildung 27 gezeigt entnommen werden. Die Versorgungsspannung ist 24Vcc -30% ÷ +50% mit zur Verfügung stehendem Höchststrom von 100mA.



7.6) Probleme und deren Lösungen

In Tabelle Nr. 19 sind nützliche Hinweise zu finden, um eventuelle Betriebsstörungen zu beheben, die bei der Installation oder im Falle von Defekten auftreten können.

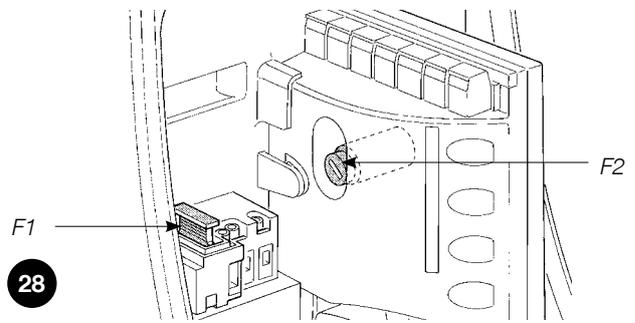


Tabelle Nr. 19: Fehlersuche

Symptome	Überprüfungen
Der Funksender schaltet das Tor nicht und die LED am Sender leuchtet nicht auf.	Prüfen, ob die Batterien des Senders leer sind, ggf. auswechseln.
Der Funksender schaltet das Tor nicht, aber die LED am Sender leuchtet auf.	Prüfen, ob der Sender korrekt im Funkempfänger gespeichert ist.
Es erfolgt keine Bewegung und die BlueBUS-LED blinkt nicht.	Prüfen, ob RUN mit der Netzspannung gespeist ist. Prüfen, ob die Sicherungen unterbrochen sind; in diesem Fall die Ursache des Defekts überprüfen, dann die Sicherungen mit anderen mit demselben Stromwert und denselben Merkmalen auswechseln.
Es erfolgt keine Bewegung und die Blinkleuchte blinkt nicht.	Prüfen, ob der Befehl effektiv empfangen wird. Falls der Befehl am Eingang PP angeht, muss die jeweilige LED "PP" aufleuchten, wenn dagegen der Funksender benutzt wird, muss die BlueBUS-LED zweimal schnell blinken.
Es erfolgt keine Bewegung und die Blinkleuchte blinkt mehrmals.	Zählen, wie oft die Blinkleuchte blinkt und nach den Angaben in Tabelle Nr. 21 überprüfen.
Die Bewegung beginnt, aber gleich danach erfolgt eine Umkehrung.	Die gewählte Empfindlichkeit zur Wahrnehmung von Hindernissen könnte für den Tortyp zu hoch sein. Prüfen, ob Hindernisse vorhanden sind; ggf. eine niedrigere Empfindlichkeit wählen.
Die Bewegung wird ordnungsgemäß ausgeführt, aber die Blinkleuchte funktioniert nicht.	Prüfen, dass während der Bewegung Spannung an der Klemme FLASH der Blinkleuchte anliegt (da intermittierend, ist der Spannungswert ca. 10-30Vcc nicht von Bedeutung); wenn Spannung vorhanden ist, liegt das Problem an der Glühbirne, die mit einer anderen mit denselben Merkmalen ersetzt werden muss; wenn keine Spannung vorhanden ist, könnte eine Überlastung am Ausgang FLASH erfolgt sein; prüfen, ob das Kabel kurzgeschlossen ist.
Die Bewegung wird ordnungsgemäß ausgeführt, aber die Kontrolllampe SCA funktioniert nicht.	Den für Ausgang SCA programmierten Funktionstyp überprüfen (L4 in Tabelle 9) Wenn die Kontrolllampe eingeschaltet sein sollte, prüfen, ob ca. 24Vcc Spannung an der Klemme SCA anliegen; wenn Spannung vorhanden ist, liegt das Problem an der Kontrolllampe, die mit einer anderen mit denselben Merkmalen ersetzt werden muss; wenn keine Spannung vorhanden ist, könnte eine Überlastung am Ausgang SCA erfolgt sein; prüfen, ob das Kabel kurzgeschlossen ist.

7.6.1) Liste der Alarmhistorik

RUN ermöglicht es, eventuelle Störungen bei den 8 letzten Bewegungen zu sehen, wie z.B. die Unterbrechung einer Bewegung infolge der Auslösung einer Photozelle oder Schaltleiste. Um die Liste der Alarmhistorik zu überprüfen, wie in Tabelle 20 beschrieben vorgehen.

Tabelle 20: Liste der Alarmhistorik

	Beispiel
1. Auf Taste [Set] drücken und ca. 3 Sekunden gedrückt halten	3s
2. Taste [Set] loslassen, wenn LED L1 zu blinken beginnt	
3. Auf die Tasten [▲] oder [▼] drücken, um das Blinken auf die LED L8, die "Eingangs-LED" des Parameters "Alarmhistorik" zu verschieben	
4. Auf Taste [Set] drücken und gedrückt halten; die Taste [Set] muss während der Schritte 5 und 6 ständig gedrückt bleiben	
5. Ca. 3s warten, danach werden die LEDs aufleuchten, die den Bewegungen mit der Störung entsprechen. L1 gibt das Ergebnis der letzten Bewegung an, L8 das Ergebnis der achten. Wenn die LED leuchtet, haben sich Störungen während der Bewegung ereignet, wenn sie ausgeschaltet ist, wurde die Bewegung störungsfrei beendet.	3s
6. Auf die Tasten [▲] und [▼] drücken, um die gewünschte Bewegung auszuwählen: Die entsprechende LED wird sofort blinken, wie die Blinkleuchte gewöhnlich nach einer Störung blinkt (siehe Tabelle 21).	
7. Die Taste [Set] loslassen.	

7.7) Diagnose und Anzeigen

Einige Vorrichtungen bieten selbst besondere Anzeigen, mit denen der Betriebsstatus oder eventuelle Störungen erkannt werden können.

7.7.1) Anzeigen durch die Blinkleuchte

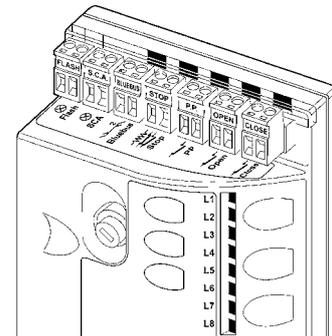
Die Blinkleuchte FLASH blinkt während der Bewegung einmal pro Sekunde; im Falle von Störungen wird das Blinken schneller sein; die Blinkvorgänge wiederholen sich zweimal mit einer Pause von einer Sekunde.

Tabelle Nr. 21: Anzeigen durch die Blinkleuchte FLASH

Schnellblinken	Ursache	HANDLUNG
1 Mal Blinken 1 Sekunde Pause 1 Mal Blinken	Fehler an BlueBUS	Nach der Überprüfung bei Bewegungsbeginn entsprechen die an BlueBUS angeschlossenen Vorrichtungen nicht den während der Erlernung gespeicherten. Es können defekte Vorrichtungen vorhanden sein: überprüfen und ersetzen. Falls Änderungen ausgeführt worden sind, muss die Erlernung wiederholt werden (7.3.4 Erlernung sonstiger Vorrichtungen).
2 Mal Blinken 1 Sekunde Pause 2 Mal Blinken	Auslösung einer Photozelle	Bei Bewegungsbeginn wird die Zustimmung zur Bewegung von einer oder mehreren Photozellen nicht gegeben; prüfen, ob Hindernisse vorhanden sind. Während der Bewegung ist das normal, wenn effektiv ein Hindernis vorhanden ist.
3 Mal Blinken 1 Sekunde Pause 3 Mal Blinken	Auslösung der "Hinderniswahrnehmung"	Während der Bewegung war mehr Reibung am Tor vorhanden; Ursache überprüfen.
4 Mal Blinken 1 Sekunde Pause 4 Mal Blinken	Auslösung des Eingangs STOP	Am Anfang oder während der Bewegung erfolgte eine Auslösung des Eingangs STOP; Ursache überprüfen.
5 Mal Blinken 1 Sekunde Pause 5 Mal Blinken	Fehler in den internen Parametern der elektronischen Steuerung	Mindestens 30 Sekunden warten und den Befehl erneut erteilen; sollte dieser Status bleiben, könnte ein schwerer Defekt vorhanden sein, und die elektronische Steuerkarte muss ausgewechselt werden.
6 Mal Blinken 1 Sekunde Pause 6 Mal Blinken	Die Höchstgrenze an Bewegungen pro Stunde wurde überschritten.	Ein paar Minuten warten, bis der Bewegungsbegrenzer wieder unter die Höchstgrenze zurückkehrt.
7 Mal Blinken 1 Sekunde Pause 7 Mal Blinken	Fehler in den internen elektrischen Kreisläufen	Alle Versorgungskreise ein paar Sekunden abschalten, dann den Befehl erneut erteilen; sollte dieser Status bleiben, könnte ein schwerer Defekt vorhanden sein, und die elektronische Steuerkarte muss ausgewechselt werden.
8 Mal Blinken 1 Sekunde Pause 8 Mal Blinken	Es wurde bereits ein Befehl erteilt, so dass andere Befehle nicht ausgeführt werden können.	Die Art des vorhandenen Befehls überprüfen. Es könnte sich zum Beispiel um einen Befehl durch eine Uhr am Eingang "Öffnet" handeln.

7.7.2) Anzeigen durch die Steuerung

An der Steuerung von RUN befinden sich verschiedene LEDs, von denen jede sowohl im Normalbetrieb als auch bei Störungen besondere Anzeigen geben kann.



29

Tabelle Nr. 22: LEDs an den Klemmen der Steuerung

BLUEBUS-LED	Ursache	HANDLUNG
Aus	Störung	Prüfen, ob die Stromversorgung vorhanden ist; prüfen, ob die Sicherungen ausgelöst wurden; ggf. die Ursache des Defekts überprüfen, dann die Sicherungen mit anderen mit demselben Wert auswechseln.
Ein	Schwere Störung	Eine schwere Störung liegt vor, versuchen, die Steuerung ein paar Sekunden abzuschalten; falls dieser Status bleibt, ist ein Defekt vorhanden und die elektronische Steuerkarte muss ausgewechselt werden.
1 Mal Blinken pro Sekunde	Alles OK	Normalbetrieb der Steuerung
2 Mal Schnellblinken	Eine Statusvariation der Eingänge erfolgte	Ist normal, wenn eine Änderung eines der Eingänge PP, STOP, OPEN, CLOSE erfolgt oder die Photozellen ansprechen oder der Funksender benutzt wird.
Eine Reihe von Blinkvorgängen, getrennt durch eine Sekunde Pause	Verschiedenartiges	Ist dieselbe Anzeige, die an der Blinkleuchte erfolgt - siehe Tabelle 21
Led STOP	Ursache	HANDLUNG
Aus	Auslösung des Eingangs STOP	Die an Eingang STOP angeschlossenen Vorrichtungen überprüfen
Ein	Alles OK	Eingang STOP aktiviert
Led P.P. (Schrittbetrieb)	Ursache	HANDLUNG
Aus	Alles OK	Eingang PP (Schrittbetrieb) nicht aktiviert
Ein	Auslösung des Eingangs PP	Ist normal, wenn die am Eingang PP angeschlossene Vorrichtung effektiv aktiviert ist.
Led ÖFFNET	Ursache	HANDLUNG
Aus	Alles OK	Eingang ÖFFNET nicht aktiviert
Ein	Auslösung des Eingangs OPEN	Ist normal, wenn die am Eingang ÖFFNET angeschlossene Vorrichtung effektiv aktiviert ist.
Led SCHLIEßT	Ursache	HANDLUNG
Aus	Alles OK	Eingang SCHLIEßT nicht aktiviert
Ein	Auslösung des Eingangs CLOSE	Ist normal, wenn die am Eingang SCHLIEßT angeschlossene Vorrichtung effektiv aktiviert ist.

Tabelle 23: LEDs an den Tasten der Steuerung

Led 1	Beschreibung
Aus	Zeigt beim Normalbetrieb an: "Automatische Schließung" deaktiviert
Ein	Zeigt beim Normalbetrieb an: "Automatische Schließung" aktiviert
Blinkt	<ul style="list-style-type: none"> • Programmierung der Funktionen im Gang • Falls zusammen mit L2 blinkt, muss die Erlernung der Vorrichtungen ausgeführt werden (siehe Paragraph "4.3 Erlernung der Vorrichtungen").
Led L2	Beschreibung
Aus	Zeigt beim Normalbetrieb an: "Zulauf nach Durchfahrt der Photozelle" deaktiviert
Ein	Zeigt beim Normalbetrieb an: "Zulauf nach Durchfahrt der Photozelle" aktiviert
Blinkt	<ul style="list-style-type: none"> • Programmierung der Funktionen im Gang • Falls zusammen mit L1 blinkt, muss die Erlernung der Vorrichtungen ausgeführt werden (siehe Paragraph "4.3 Erlernung der Vorrichtungen").
Led L3	Beschreibung
Aus	Zeigt beim Normalbetrieb an: "Schließt immer" deaktiviert.
Ein	Zeigt beim Normalbetrieb an: "Schließt immer" aktiviert.
Blinkt	<ul style="list-style-type: none"> • Programmierung der Funktionen im Gang. • Falls zusammen mit L4 blinkt, muss die Erlernung der Torflügelänge ausgeführt werden (siehe Paragraph "4.4 Erlernung der Torflügelänge").
Led L4	Beschreibung
Aus	Zeigt beim Normalbetrieb an: "Standby" deaktiviert.
Ein	Zeigt beim Normalbetrieb an: "Standby" aktiviert.
Blinkt	<ul style="list-style-type: none"> • Programmierung der Funktionen im Gang. • Falls zusammen mit L3 blinkt, muss die Erlernung der Torflügelänge ausgeführt werden (siehe Paragraph "4.4 Erlernung der Torflügelänge").
Led L5	Beschreibung
Aus	Zeigt beim Normalbetrieb an: "Anlauf" nicht aktiviert.
Ein	Zeigt beim Normalbetrieb an: "Anlauf" aktiviert.
Blinkt	Programmierung der Funktionen im Gang
Led L6	Beschreibung
Aus	Zeigt beim Normalbetrieb an: "Vorwarnen" nicht aktiviert.
Ein	Zeigt beim Normalbetrieb an: "Vorwarnen" aktiviert.
Blinkt	Programmierung der Funktionen im Gang
Led L7	Beschreibung
Aus	Zeigt beim Normalbetrieb an, dass der Eingang SCHLIEBT eine Schließbewegung aktiviert
Ein	Zeigt beim Normalbetrieb an, dass der Eingang SCHLIEBT eine Teilöffnung aktiviert
Blinkt	Programmierung der Funktionen im Gang
Led L8	Beschreibung
Aus	Zeigt beim Normalbetrieb an, dass RUN als Master konfiguriert ist
Ein	Zeigt beim Normalbetrieb an, dass RUN als Slave konfiguriert ist
Blinkt	Programmierung der Funktionen im Gang

7.8) Zubehör

RUN kann mit folgendem Sonderzubehör ausgestattet werden:

- SMXI oder SMXIS: 433.92MHz Funkempfänger mit digitalem Rolling Code.
- ONEXI: 433.92MHz Funkempfänger mit digitalem Rolling Code; ausgestattet mit Modus II für die Übermittlung von 15 verschiedenen Befehlen zur Steuerung

- OperaView; Fernprogrammierungseinheit

Für die vollständige und aktualisierte Zubehörliste wird auf den Produktkatalog der Nice S.p.a. verwiesen.

7.8.1) Fernprogrammierungseinheit

Am Verbinder BusT4 (siehe Abbildung 30) kann die Fernprogrammierungseinheit Oview angeschlossen werden, die eine komplett und schnelle Installation und Wartung und die Diagnose eventueller Betriebsstörungen ermöglicht.

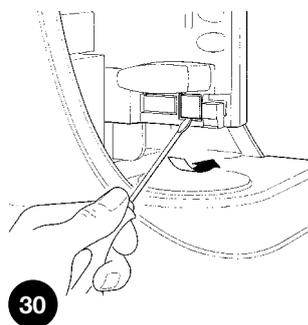
Für den Zugang zum Verbinder muss die Membrane wie in Abbildung 31 gezeigt entfernt werden.

Die Fernprogrammierungseinheit kann in bis zu 100m Kabel Abstand von der Steuerung sein, sie kann gleichzeitig an bis zu 16 Steuerungen angeschlossen werden und auch während des Normalbetriebs von RUN angeschlossen bleiben; in diesem Fall können die Befehle über ein spezielles User-Menü zur Steuerung gesendet werden.

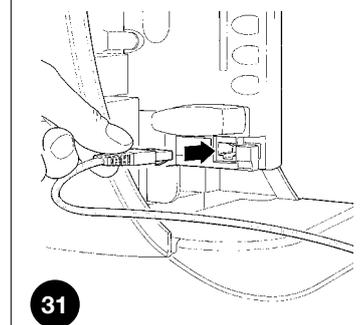
Wenn in der Steuerung ein Funkempfänger des Typs OXI o OXIT integriert ist, kann man über die Programmierungseinheit Zugriff auf die Parameter der gespeicherten Sender erhalten.

Für diese Funktion wird ein Verbindungskabel mit 4 Leitern benötigt (BusT4). Die Firmware kann von der RUN-Zentrale aus aktualisiert werden. Weitere Auskünfte befinden sich in der Anleitung der Programmierungseinheit Oview.

WICHTIG – Für Einzelheiten über alle Funktionalitäten des Systems NiceOpera und den operativen Zusammenhang der verschiedenen Vorrichtungen des Systems wird auf das Allgemeine Handbuch "NiceOpera System Book" verwiesen, das auch im Internet unter www.niceforyou.com zur Verfügung steht



30



31

8) Technische Merkmale

Für eine Verbesserung der Produkte behält sich NICE S.p.A. das Recht vor, die technischen Merkmale jederzeit und ohne vorherige Benachrichtigung zu ändern, wobei aber die vorgesehenen Funktionalitäten und Einsätze garantiert bleiben. Alle technischen Merkmale beziehen sich auf eine Umgebungstemperatur von 20°C (±5°C).

Technische Merkmale RUN		
Modell Typ	RUN 1800 - RUN 1800P - RUN 1800/V1	RUN 2500 - RUN 2500P
Typik	Elektromechanischer Antrieb für die automatische Bewegung von Industrieschiebetoren komplett mit elektronischer Steuerung.	
Ritzel	Zähne Nr. 18; Modul 4 *	
Max. Anlaufdrehmoment [entspricht der Fähigkeit, eine Kraft zu entwickeln, um den Torflügel in Bewegung zu setzen]	40Nm (1110N)	50Nm (1390N)
Nenn Drehmoment [entspricht der Fähigkeit, eine Kraft zu entwickeln, um den Torflügel in Bewegung zu halten]	20Nm (560N)	30Nm (830N)
Geschwindigkeit (ohne Last)	10m/Min. (12m/Min. Version /V1)	
Geschwindigkeit (beim Nenn Drehmoment)	7.4m/Min. (8.9m/Min. Version /V1)	
Max. Häufigkeit der Betriebszyklen (bei Nenn Drehmoment)	11 Zyklen/Stunde (264 Zyklen/Tag) für ein 15m großes Tor (gleich einem Betriebszyklus von 63%) (die Steuerung beschränkt die Zyklen auf das in den Tabellen 2 und 3 angegebene Maximum) **	15 Zyklen/Stunde (365 Zyklen/Tag) für ein 15m großes Tor (gleich einem Betriebszyklus von 63%) (die Steuerung beschränkt die Zyklen auf das in den Tabellen 2 und 3 angegebene Maximum) **
Max. Dauerbetriebszeit (bei Nenn Drehmoment)	40 Minuten (die Steuerung beschränkt den Dauerbetrieb auf das in den Tabellen 2 und 3 angegebene Maximum)	60 Minuten (die Steuerung beschränkt den Dauerbetrieb auf das in den Tabellen 2 und 3 angegebene Maximum)
Einsatzgrenzen	Gewöhnlich ist RUN imstande, Tore mit einem in den Tabellen 2, 3 und 4 angegebenen Gewicht und Länge zu automatisieren.	
Lebensdauer	Geschätzt zwischen 150.000 Zyklen und 450.000 Zyklen, je nach den in Tabelle 4 angegebenen Bedingungen	
Versorgung RUN 1800 - 2500	230Vac (+10% -15%) 50 Hz	
Versorgung RUN 1800/V1-2500/V1	120Vac (+10% -15%) 60 Hz	
Beim Anlauf aufgenommene Höchstleistung [entspricht Ampere]	700 W [3 A] [5 A Version /V1]	870 W [3.8 A]
Leistung beim Nenn Drehmoment [entspricht Ampere]	400 W [1.8 A] [3 A Version /V1]	600 W [2.7 A]
Isolationsklasse	1 (ist für die Sicherheitserdung notwendig)	
Ausgang Blinkleuchte	für 2 Blinkleuchten LUCYB (Lampe 12V, 21W)	
Ausgang S.C.A	für 1 Lampe 24V max. 4W (die Ausgangsspannung kann zwischen -30 und +50% variieren und auch kleine Relais steuern)	
Ausgang BLUEBUS	ein Ausgang mit einer Höchstlast von 15 BlueBus Einheiten	
Eingang STOP	Für gewöhnlich geschlossene, gewöhnlich geöffnete Kontakte oder Kontakte mit konstantem 8,2kΩ Widerstand; verursacht in Selbsterlernung (eine Variation im Vergleich zum gespeicherten Status) den Steuerbefehl "STOP"	
Eingang PP	für gewöhnlich geöffnete Kontakte (das Schließen des Kontaktes verursacht den Steuerbefehl Schrittbetrieb)	
Eingang ÖFFNET	für gewöhnlich geöffnete Kontakte (das Schließen des Kontaktes verursacht den Steuerbefehl Öffnet)	
Eingang SCHLIEßT	für gewöhnlich geöffnete Kontakte (das Schließen des Kontaktes verursacht den Steuerbefehl Schließt)	
Steckverbinder für Funkempfänge	Verbinder SM für Empfänger SMXI; SMXIS oder ONEXI	
Eingang FUNKANTENNE	Eingang FunkANTENNE 52Ω für Kabel vom Typ RG58 oder ähnliche	
Programmierbare Funktionen	8 ON-OFF-Funktionen und 8 einstellbare Funktionen (siehe die Tabellen Nr. 7 und 9)	
Funktionen in Selbsterlernung	Selbsterlernung der am BlueBUS Ausgang angeschlossenen Vorrichtungen. Selbsterlernung des Typs der an "STOP" angeschlossenen Vorrichtung (NO-Kontakt, NC-Kontakt oder mit resistivem 8,2kΩ Widerstand) Selbsterlernung der Torlänge und Berechnung der Punkte, an denen die Verlangsamung und die Teilöffnung erfolgen soll.	
Betriebstemperatur	-20°C ÷ 50°C	
Benutzung in säure- und salzhaltiger oder explosionsgefährdeter Umgebung	Nein	
Schutzart	IP 44	
Abmessungen und Gewicht	400 x 255 h 390; 24.5 kg	

* Lieferbar ist ein Sonderritzel mit 12 Zähnen Modul 6

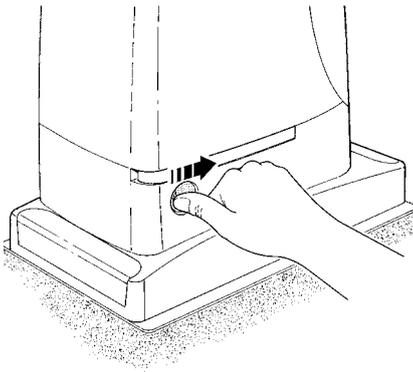
** Bei 50°C und einem 15 m großen Tor ist die max. Betriebsfrequenz 7 Zyklen/Stunde (gleich einem Betriebszyklus von 40%).

*** Bei 50°C ist die max. Dauerbetriebszeit 10 Minuten.

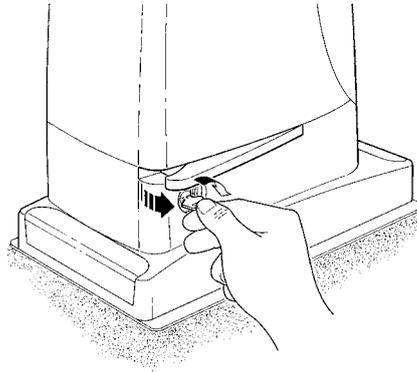
- **Bevor Sie die Automatisierung zum ersten Mal verwenden**, lassen Sie sich von Ihrem Installateur erklären, wie Restrisiken entstehen können, und widmen Sie dem Lesen der Anweisungen und Hinweise für den Benutzer, die Ihnen Ihr Installateur aushändigen wird, ein paar Minuten. Bewahren Sie die Anleitung für zukünftige Zweifelsfälle auf und übergeben Sie diese ggf. einem neuen Besitzer der Automatisierung.
 - **Ihre Automatisierung ist eine Maschine, die Ihre Befehle getreu durchführt**; ein verantwortungsloser und unsachgemäßer Gebrauch kann gefährlich werden: verursachen Sie keine Bewegung der Automatisierung, wenn sich Personen, Tiere oder Gegenstände in ihrem Aktionskreis befinden.
 - **Kinder**: eine Automatisierungsanlage gewährleistet einen hohen Sicherheitsgrad und verhindert mit ihren Schutzsystemen, dass sie sich bei Anwesenheit von Personen und Gegenständen bewegt, und gewährleistet eine immer vorhersehbare und sichere Aktivierung. Als Vorsichtsmaßnahme sollte man aber Kindern verbieten, in der Nähe der Automatisierung zu spielen, und man sollte die Fernbedienungen nicht in der Reichweite von Kindern lassen: es handelt sich **nicht um ein Spiel!**
 - **Störungen**: schalten Sie die Stromversorgung zur Anlage ab, sobald Sie ein ungewöhnliches Verhalten der Automatisierung bemerken, und führen Sie die manuelle Entriegelung aus. Versuchen Sie nie, selbst Reparaturen auszuführen, sondern fordern Sie den Eingriff Ihres Vertrauensinstallateurs an: in der Zwischenzeit, nachdem Sie den Getriebemotor wie weiter vorne beschrieben entriegelt haben, kann die Anlage wie eine nicht automatisierte Vorrichtung funktionieren.
 - **Wartung**: wie jede Maschine benötigt auch Ihre Automatisierung eine regelmäßige Wartung, damit sie so lange wie möglich und in voller Sicherheit funktionieren kann. Vereinbaren Sie mit Ihrem Installateur einen programmierten Wartungsplan. Nice empfiehlt eine programmierte Wartung alle sechs Monate bei Normalgebrauch für den Haushalt, dieser Zeitraum kann aber je nachdem, wie häufig die Anlage benutzt wird, unterschiedlich sein. Arbeiten wie Wartung, Kontrollen und Reparaturen dürfen nur von Fachpersonal ausgeführt werden.
 - Auch wenn Sie meinen, dass Sie wissen, wie das gemacht wird, ändern Sie die Anlage und die programmierten Parameter sowie die Einstellungen der Automatisierung nicht: diese Verantwortung steht Ihrem Installateur zu.
 - Die Endabnahme, die periodischen Wartungen und eventuelle Reparaturen müssen von dem, der diese Arbeiten ausführt, belegt sein, und diese Belege müssen vom Besitzer der Anlage aufbewahrt werden.
- Die einzigen Eingriffe**, die Sie ausführen und periodisch auch ausführen sollten, sind die Reinigung der Gläser an den Photozellen und die Entfernung eventueller Blätter oder Steine, die den Automatismus behindern könnten. Um zu verhindern, dass jemand das Tor betätigt, entriegeln Sie vor diesen Arbeiten den Automatismus (wie weiter vorne beschrieben). Zur Reinigung nur ein mit Wasser leicht benetztes Tuch verwenden.
- **Entsorgung**: Versichern Sie sich, dass die Entsorgung am Ende der Lebensdauer Ihrer Automatisierung von Fachpersonal gemacht wird und dass die Materialien nach den örtlich gültigen Vorschriften recycled oder entsorgt werden.
 - **Im Falle von Defekten oder bei Stromausfall**: Warten Sie auf Ihren Installateur oder bis der Strom wieder vorhanden ist, falls Ihre Anlage keine Pufferbatterie hat; die Anlage kann wie eine beliebige nicht automatisierte Öffnungsvorrichtung betätigt werden. Dazu muss die manuelle Entriegelung ausgeführt werden. Dieser Vorgang, der einzige, den der Benutzer der Automatisierung ausführen kann, wurde mit besonderer Aufmerksamkeit von Nice behandelt, damit Sie diese Vorrichtung immer mit größter Einfachheit, ohne Werkzeug und ohne körperliche Anstrengungen betätigen können.

Entriegelung und manuelle Bewegung: die Entriegelung darf nur bei stehendem Tor **ausgeführt** werden.

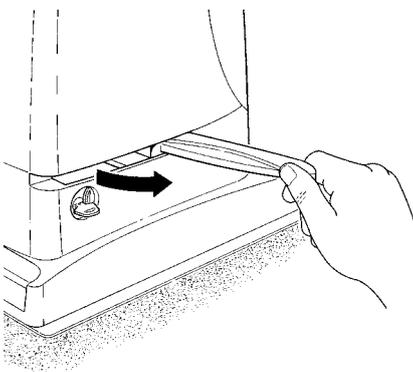
1 Den Schlossteckel verschieben.



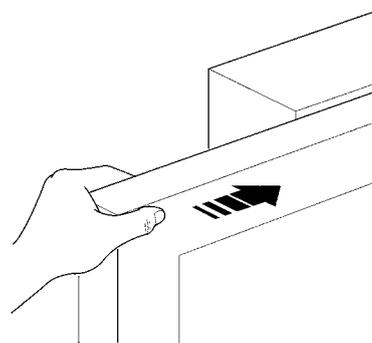
2 Den Schlüssel einstecken und im Uhrzeigersinn drehen.



3 Den Entriegelungsgriff ziehen.



4 Das Tor von Hand bewegen.



Zum Blockieren, dieselben Vorgänge umgekehrt ausführen.

Torbewegung mit Sicherheitsvorrichtungen außer Betrieb: sollten die am Tor vorhandenen Sicherheitsvorrichtungen nicht korrekt funktionieren, kann das Tor trotzdem bewegt werden.

- Einen Befehl zur Bewegung des Tors erteilen (mit der Fernbedienung, dem Schlüsseltaster, usw.); wenn alles in Ordnung ist, wird sich das Tor normal öffnen oder schließen, andernfalls wird die Blinkleuchte mehrmals blinken und es erfolgt keine Bewegung (die Anzahl der Blinkvorgänge hängt von der Ursache ab, warum keine Bewegung erfolgt).
- In diesem Fall muss die Schaltvorrichtung innerhalb von drei Sekunden erneut **betätigt** werden und **betätigt bleiben**.
- Nach ca. 2s wird die Torbewegung im Modus "Totmann" erfolgen. Das bedeutet, dass sich das Tor bewegen wird, solange Sie die Schaltvorrichtung betätigen; sobald Sie diese loslassen, hält das Tor an.

⚠ Wenn die Sicherheitsvorrichtungen außer Betrieb sind, muss der Automatismus so schnell wie möglich repariert werden.

Ersatz der Batterie der Fernbedienung: falls Ihre Funksteuerung nach einiger Zeit anscheinend schlechter oder gar nicht funktioniert, so könnte das ganz einfach von der leeren Batterie abhängen (je nach Batterie kann das nach mehreren Monaten bis zu über einem Jahr geschehen). Sie können das an dem Leuchtmelder bemerken, der die Sendung bestätigt und nur schwach oder gar nicht oder nur ganz kurz leuchtet. Bevor Sie sich an den Installateur wechseln, versuchen Sie, die Batterie mit der eines anderen, funktionierenden Senders auszuwechseln: sollte das die Ursache sein, genügt es, die alte Batterie mit einer anderen gleichen Typs auszuwechseln.

Batterien enthalten Schadstoffe: nicht in den Hausmüll geben, sondern nach den örtlichen Vorschriften entsorgen.

EG-Konformitätserklärung und Einbauerklärung der „unvollständigen Maschine“

Erklärung in Übereinstimmung der Richtlinien: 2004/108/EG (EMC); 2006/42/EG (MD) Anlage II, Teil B

Hinweis - Der Inhalt dieser Konformitätserklärung entspricht dem in den offiziellen Unterlagen angegebenen, die sich im Firmensitz der Nice S.p.a. befinden, und insbesondere der vor dem Druck dieser Anleitung verfügbaren letzten Überarbeitung. Dieser Text wurde aus redaktionellen Gründen angepasst. Eine Kopie der Originalerklärung kann bei Nice S.p.a. (TV) I angefordert werden.

Nummer: 238/RUN

Überarbeitung: 5

Sprache: DE

Herstellername:

Nice s.p.a.

Adresse:

Via Pezza Alta 13, 31046 Rustignè, Oderzo (TV) Italien

Für die Zusammenstellung der technischen Dokumentation

autorisierte Person:

Nice s.p.a.

Produkttyp:

Elektromechanischer Getriebemotor mit integrierter Steuerung

Modell:

RUN1800, RUN2500, RUN1800P, RUN2500P

Zubehör:

Funkempfänger Mod. SMXI, SMXIS und ONEXI

Der Unterzeichnende, Mauro Sordini erklärt in seiner Funktion als Chief Executive Officer unter eigener Verantwortung, dass das oben genannte Produkt den Vorschriften entspricht, die in folgenden Richtlinien enthalten sind:

- RICHTLINIE 2004/108/EG DES EUROPÄISCHEN PARLAMENTS UND RATS vom 15. Dezember 2004 bezüglich der Annäherung der Gesetzgebungen der Mitgliedsstaaten zur elektromagnetischen Verträglichkeit, welche die Richtlinie 89/336/EWG aufhebt und zwar gemäß den folgenden harmonisierten Normen: EN 61000-6-2:2005; EN 61000-6-3:2007 + A1:2011

Außerdem entspricht das Produkt folgender Richtlinie, entsprechend der vorgesehenen Anforderungen für die „unvollständige Maschinen“:

Richtlinie 2006/42/EG DES EUROPÄISCHEN PARLAMENTS UND DES RATS vom 17. Mai 2006 über die Risikobeurteilung und Risikominderung und zur Änderung der Richtlinie 95/16/EG (Überarbeitung)

- Hiermit wird erklärt, dass die entsprechenden technischen Unterlagen in Übereinstimmung mit Anlage VII B der Richtlinie 2006/42/EG ausgefüllt wurden und folgende essenzielle Anforderungen eingehalten wurden: 1.1- 1.1.2- 1.1.3- 1.2.1-1.2.6- 1.5.1-1.5.2- 1.5.5- 1.5.6- 1.5.7- 1.5.8- 1.5.10- 1.5.11
- Der Hersteller verpflichtet sich, die Informationen über die „unvollständige Maschine“ auf Nachfrage an die nationalen Behörden weiterzuleiten, wobei die eignen Rechte des geistigen Eigentums beibehalten werden.
- Wenn die „unvollständige Maschine“ in einem europäischen Land in Betrieb genommen wird, deren offizielle Sprache nicht der in dieser Erklärung entspricht, hat der Importeur die Pflicht, die entsprechende Übersetzung dieser Erklärung beizulegen.
- Wir weisen darauf hin, dass die „unvollständige Maschine“ nicht in Betrieb genommen werden darf, bis die Endmaschine, in der sie eingebaut wird, ebenfalls als konform mit den Vorschriften der Richtlinie 2006/42/EG erklärt wurde (falls zutreffend).

Außerdem entspricht das Produkt folgenden Normen:

EN 60335-1:2012, EN 60335-2-103:2003+A11:2009

Das Produkt entspricht, auf die anwendbaren Teile begrenzt, folgenden Normen:

EN 13241-1:2003+A1:2011, EN 12445:2002, EN 12453:2002, EN 12978:2003+A1:2009

Oderzo, Dienstag, 1. Juli 2014

Ing. Mauro Sordini
(Chief Executive Officer)



Índice:	pág.		
1	Advertencias	107	
2	Descripción del producto y uso previsto	108	
2.1	Límites de utilización	108	
2.2	Instalación típica	110	
2.3	Lista de cables	110	
3	Instalación	111	
3.1	Controles preliminares	111	
3.2	Fijación del motorreductor	111	
3.3	Fijación de los soportes de fin de carrera en las versiones con fin de carrera de proximidad inductivo	112	
3.4	Instalación de los diferentes dispositivos	113	
3.5	Conexiones eléctricas	113	
3.6	Descripción de las conexiones eléctricas	114	
4	Controles finales y puesta en marcha	114	
4.1	Selección de la dirección	114	
4.2	Conexión de la alimentación	114	
4.3	Aprendizaje de los dispositivos	114	
4.4	Aprendizaje de la longitud de la hoja	115	
4.5	Control del movimiento de la puerta	115	
4.6	Funciones predeterminadas	115	
4.7	Receptor	115	
5	Ensayo y puesta en servicio	115	
5.1	Ensayo	116	
5.2	Puesta en servicio	116	
6	Mantenimiento y desguace	116	
6.1	Mantenimiento	116	
6.2	Desguace	116	
7	Otras informaciones	117	
7.1	Botones de programación	117	
7.2	Programaciones	117	
7.2.1	Funciones de primer nivel (funciones ON-OFF)	117	
7.2.2	Programación de primer nivel (funciones ON-OFF)		118
7.2.3	Funciones de segundo nivel (parámetros regulables)		118
7.2.4	Programación de segundo nivel (parámetros regulables)		119
7.2.5	Ejemplo de programación de primer nivel (funciones ON-OFF)		120
7.2.6	Ejemplo de programación de segundo nivel (parámetros regulables)		120
7.3	Instalación o desinstalación de dispositivos		120
7.3.1	BlueBUS		120
7.3.2	Entrada STOP		121
7.3.3	Fotocélulas		121
7.3.4	Fotosensor FT210B		121
7.3.5	RUN en modo "Slave"		122
7.3.6	Aprendizaje de otros dispositivos		123
7.4	Funciones especiales		123
7.4.1	Función "Abrir siempre"		123
7.4.2	Función "Mover igualmente"		123
7.4.3	Sistema de control del calentamiento y refrigeración		123
7.4.4	Aviso de mantenimiento		123
7.5	Conexión de otros dispositivos		124
7.6	Solución de los problemas		125
7.6.1	Listado del historial de los desperfectos		125
7.7	Diagnóstico y señales		125
7.7.1	Señales con la luz intermitente		126
7.7.2	Señales en la central		126
7.8	Accesorios		127
7.8.1	Unidad de Programación remota		127
8	Características técnicas		128
	Instrucciones y advertencias para el usuario del motorreductor RUN		129
	Declaración CE de Conformidad		131

1) Advertencias

Este manual de instrucciones contiene informaciones importantes en materia de seguridad para la instalación; es necesario leer detenidamente todas las instrucciones antes de comenzar la instalación. Conserve este manual en buenas condiciones para su consultación posterior. Considerando las situaciones de peligro que pueden generarse durante la instalación y el uso del RUN es oportuno que también la instalación sea realizada respetando plenamente las leyes, normas y reglamentos. En este capítulo se indicarán las advertencias de tipo general; otras advertencias importantes están presentes en los capítulos “3.1 Controles preliminares”; “5 Ensayo y puesta en servicio”.

⚠ Según la legislación europea más reciente, la realización de una puerta o portón automático entra en el ámbito de las disposiciones de la Directiva 98/37/CE (Directiva de Máquinas) y, en particular, en las normas: EN 13241-1 (norma armonizada); EN 12445; EN 12453 y EN 12635, que permiten declarar la conformidad con la directiva de máquinas.

Otras informaciones, directrices para el análisis de los riesgos y la realización del Expediente Técnico están disponibles en: “www.niceforyou.com”. Este manual está destinado exclusivamente a personal técnico cualificado para la instalación. Salvo el anexo específico, que el instalador se encargará de separar, “Instrucciones y advertencias para el usuario del motorreductor RUN” ninguna de las informaciones aquí incluidas puede ser de interés para el usuario final.

- Está prohibido utilizar el RUN con una finalidad diferente de aquella dispuesta en estas instrucciones; un uso inadecuado puede causar peligros o daños a las personas o bienes.
- Antes de comenzar la instalación, es necesario realizar el análisis de los riesgos, que incluye la lista de los requisitos esenciales de seguridad previstos en el anexo I de la Directiva de Máquinas, indicando las relativas soluciones adoptadas. Recuérdese que el análisis de los riesgos es uno de los documentos que forman el “expediente técnico” de la automatización.
- Compruebe si es necesario incorporar otros dispositivos que puedan servir para completar el automatismo con el RUN según la situación de empleo específica y los peligros presentes: por ejemplo, deben considerarse los peligros de choque, aplastamiento, amputación, arrastre, etc. y otros peligros en general.
- No modifique ninguna parte salvo que esté previsto en estas instrucciones; los trabajos de este tipo pueden causar solamente desperfectos; NICE no es responsable de los daños que deriven de productos modificados.
- Durante la instalación y el uso procure que no puedan entrar elementos sólidos o líquidos dentro de la central o de otros dispositivos abiertos; de ser oportuno, diríjase al servicio de asistencia NICE; el uso del RUN en situaciones análogas puede originar situaciones peligrosas.
- El automatismo no puede utilizarse antes de haberlo puesto en servicio tal como especificado en el capítulo: “5 Ensayo y puesta en servicio”.
- El material de embalaje del RUN debe eliminarse respetando la normativa local.
- Si el desperfecto no pudiera resolverse utilizando las informaciones indicadas en este manual, diríjase al servicio de asistencia NICE.
- Si se desconectaran los interruptores automáticos o los fusibles, antes de restablecerlos hay que localizar y eliminar la avería.
- Antes de acceder a los bornes en el interior de la tapa del RUN, desconecte todos los circuitos de alimentación; si el dispositivo de desconexión no queda a la vista, colóquele un cartel: “ATENCIÓN MANTENIMIENTO EN CURSO”.

Advertencias especiales sobre la idoneidad para el uso de este producto con relación a la Directiva de “Máquinas” 98/37/CE (ex 89/392/CEE):

- Este producto se comercializa como “componente de máquina” y es fabricado para ser incorporado en una máquina o para ser ensamblado con otras maquinarias, a fin de realizar “una máquina”, con arreglo a la Directiva 98/37/CE, sólo combinándolo con otros componentes y según las pautas descritas en este manual de instrucciones. Tal como previsto por la directiva 98/37/CE, se advierte que no se permite la puesta en servicio de este producto hasta que el fabricante de la máquina, donde se incorporará el producto, no la haya identificado y declarado conforme a la directiva 98/37/CE.

Advertencias especiales sobre la idoneidad para el uso de este producto con relación a la Directiva “Baja Tensión” 73/23/CEE y su modificación posterior 93/68/CEE:

- Este producto responde a los requisitos previstos por la Directiva “Baja Tensión”, si se lo emplea para el uso y en las configuraciones previstas en este manual de instrucciones, y combinado con los artículos presentes en el catálogo de productos de Nice S.p.a. Los requisitos podrían no ser garantizados si el producto se utiliza en configuraciones diferentes o con otros productos no previstos; está prohibido utilizar el producto en estas condiciones, hasta que la persona que ejecuta la instalación haya verificado que responde a los requisitos previstos por la directiva.

Advertencias especiales sobre la idoneidad para el uso de este producto con relación a la Directiva “Compatibilidad Electromagnética” 89/336/CEE y modificación siguiente 92/31/CEE y 93/68/CEE:

- Este producto ha sido sometido a los ensayos en materia de compatibilidad electromagnética en las situaciones de uso más duras, en las configuraciones previstas en este manual de instrucciones y en combinación con los artículos presentes en el catálogo de productos de Nice S.p.A. Si el producto se utilizara con configuraciones o con otros productos no previstos, podría perderse la garantía de la compatibilidad electromagnética; en dichas condiciones, está prohibido el uso del producto hasta que la persona que efectúa la instalación haya verificado que responde a los requisitos previstos por la directiva.

2) Descripción del producto y uso previsto

RUN es una nueva línea de motorreductores electromecánicos irreversibles, destinados a la automatización de cancelas de corredera. Incorporan una central electrónica de control y un conector tipo "SM" para el receptor de los radiomandos (opcional). Las conexiones eléctricas hacia los dispositivos exteriores son sencillas gracias a la utilización de "BlueBUS", una técnica que permite conectar diversos dispositivos tan sólo con 2 cables. La lista de los dispositivos de Run que se pueden conectar a BlueBUS está presente en el capítulo 7.3.1 "BlueBUS"; una lista actualizada, con las relativas

compatibilidades también se encuentra en: www.niceforyou.com.

RUN dispone de un conector para la unidad de programación remota que permite una rápida y completa gestión de la instalación, del mantenimiento y del diagnóstico de posibles desperfectos; véase también 7.8.1 "Unidad de programación remota".

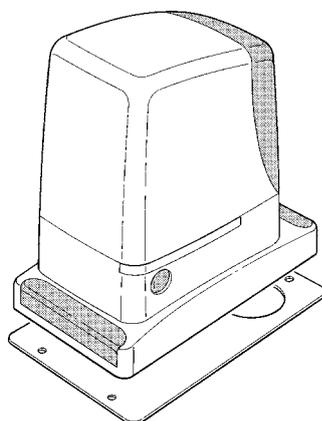
RUN funciona con energía eléctrica, si se corta la alimentación eléctrica, es posible desbloquear el motorreductor con una llave específica y mover la puerta manualmente.

La línea RUN está compuesta de los productos cuyas diferencias principales se describen en la tabla 1.

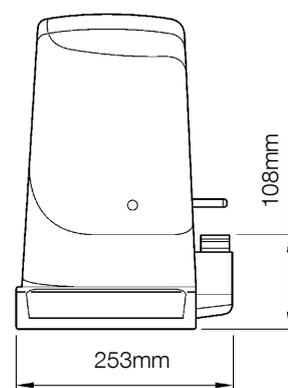
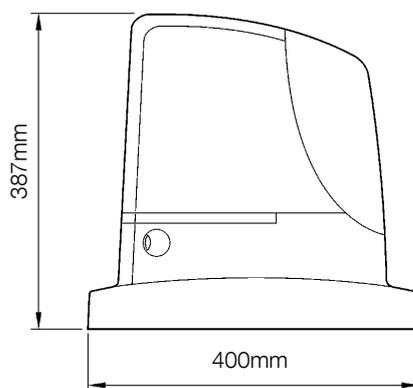
Tabla 1: comparación de las características esenciales de los motorreductores RUN

Motorreductor tipo	RUN1800	RUN1800P	RUN2500	RUN2500P
Tipo de fin de carrera	electromecánico	de proximidad inductivo	electromecánico	de proximidad inductivo
Longitud máxima hoja	15m		18m	
Peso máximo hoja	1800 kg		2500 kg	
Par máximo de arranque (correspondientes a fuerza)	40Nm (1110N)		50Nm (1390N)	
Motor	Asincrónico monofásico 700W máximo		Asincrónico monofásico 870W máximo	

Nota: 1kg = 9,81N, es decir, por ejemplo, 600N = 61 kg



1



2.1) Límites de utilización

Los datos referidos a las prestaciones de los productos de la línea RUN están indicados en el capítulo "8 Características técnicas" y son los únicos valores que permiten la evaluación correcta de la idoneidad para su uso. Por sus características estructurales, los productos RUN son adecuados para ser utilizados en puertas de corredera, según los límites indicados en las tablas N°2, 3 y 4.

La real idoneidad del RUN, para automatizar una determinada puerta de corredera, depende de los roces y de otros fenómenos, incluso ocasionales, como la presencia de hielo que podría obstaculizar el movimiento de la puerta. Para una verificación efectiva es absolutamente indispensable medir la fuerza necesaria para mover la puerta a lo largo de toda su carrera y controlar que dicha fuerza no supere el "par nominal" indicado en el capítulo "8 Características técnicas" (se aconseja un margen del 50%, porque las condiciones

climáticas adversas pueden provocar un aumento de las fricciones); asimismo, para establecer el número de ciclos/hora y los ciclos consecutivos hay que considerar las indicaciones de las tablas 2 y 3.

Tabla 2: límites con relación a la longitud de la hoja

Longitud de la hoja (m)	RUN1800/ RUN1800P		RUN2500/ RUN2500P	
	ciclos/hora máximos	ciclos consecutivos máximos	ciclos/hora máximos	ciclos consecutivos máximos
Hasta 6	42	28	42	42
6 ÷ 9	28	18	28	28
9 ÷ 12	21	14	21	21
12 ÷ 15	17	11	17	17
15 ÷ 18			14	14

Tabla 3: límites con relación al peso de la hoja

Peso de la hoja kg	RUN1800/ RUN1800P	RUN2500/ RUN2500P
	Porcentaje ciclos	Porcentaje ciclos
Hasta 500	100%	100%
500 ÷ 900	80	80
900 ÷ 1200	75	75
1200 ÷ 1500	60	60
1500 ÷ 1800	50	50
2000 ÷ 2300	---	40
2300 ÷ 2500	---	3

La longitud de la hoja permite determinar la cantidad máxima de ciclos por hora y de ciclos consecutivos, mientras que el peso permite determinar el porcentaje de reducción de los ciclos; por ejemplo, para el RUN 1800, si la hoja tiene una longitud de 10 m admitirá 21 ciclos/hora y 14 ciclos consecutivos, pero si la hoja pesa 1300 kg hay que reducirlos al 60%, por lo que el resultado es 9 ciclos/hora y 8 ciclos consecutivos. Para evitar recalentamientos, la central incorpora un limitador de maniobras que se basa sobre el esfuerzo del motor y la duración de los ciclos, interviniendo cuando se supera el límite máximo. El limitador de maniobras también mide la temperatura ambiente, reduciendo aún más las maniobras si la temperatura es muy alta.

En el capítulo “8 Características técnicas”, se indica una evaluación de “durabilidad”, es decir la vida económica media del producto. El valor está muy influenciado por el coeficiente de desgaste de las maniobras, es decir la suma de todos los factores que intervienen en el desgaste. Para efectuar tal evaluación, hay que sumar los coeficientes de desgaste de la tabla 4, y con el resultado total verificar en el gráfico la durabilidad calculada. Por ejemplo: RUN1800 en una puerta de 1300 kg, de 10 m de longitud, con fotocélulas y sin otros elementos de desgaste, obtiene un coeficiente de desgaste equivalente a 20+15+10 = 45%. Del gráfico, la durabilidad se estima en 2000.000 ciclos. Cabe aclarar que la estimación de duración se hace según cálculos proyectuales y según los resultados de pruebas hechas sobre prototipos; puesto que se trata de una estimación, no presenta ninguna garantía sobre la duración efectiva del producto.

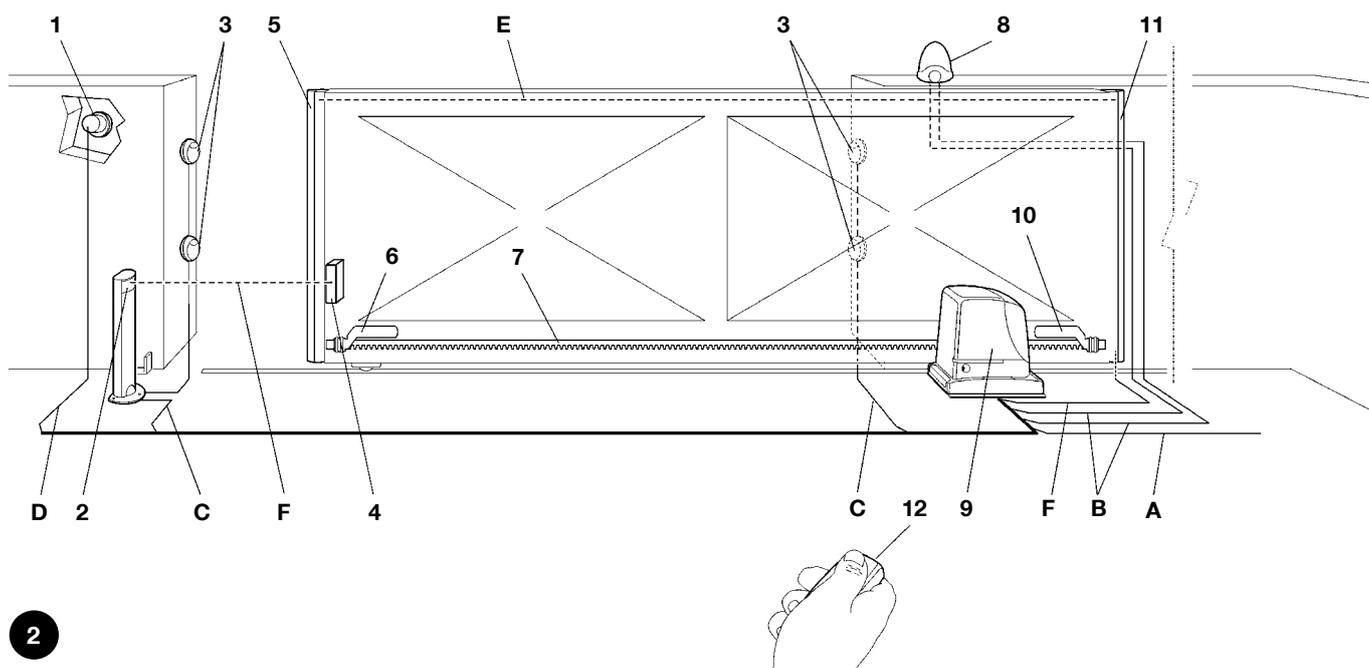
Tabla 4: evaluación de la durabilidad con relación al coeficiente de desgaste de la maniobra

Coeficiente de desgaste %	Run		Durabilidad en ciclos
	1800	2500	
Peso de la hoja kg			
Hasta 500	5	5	<p>El gráfico muestra una curva que decrece exponencialmente. El eje vertical (Durabilidad en ciclos) va de 0 a 500.000 en incrementos de 50.000. El eje horizontal (Coeficiente de desgaste %) va de 10% a 100% en incrementos de 10%. La curva comienza en (10%, 450.000) y termina en (100%, 150.000).</p>
500 ÷ 900	10	10	
900 ÷ 1200	20	20	
1200 ÷ 1500	30	30	
1500 ÷ 1800	40	40	
1800 ÷ 2200	-	50	
2200 ÷ 2500	-	60	
Longitud de la hoja en metros			
Hasta 6	5	5	
6 ÷ 9	10	10	
9 ÷ 12	15	15	
12 ÷ 15	25	25	
15 ÷ 18	-	35	
Otros elementos de desgaste (a considerar si la probabilidad de que sucedan supera el 10%)			
Temperatura ambiente superior a 40°C o inferior a 0°C o humedad superior a 80%	10	10	
Presencia de polvo o arena	15	15	
Presencia de salinidad	20	20	
Interrupción maniobra desde Fotocélula	10	10	
Interrupción maniobra desde Stop	20	20	
Punto de arranque activo	10	10	
Total coeficiente de desgaste %:			

Nota: si el coeficiente de desgaste es mayor que el 100% significa que las condiciones superan el límite de aceptabilidad; se desaconseja utilizar un modelo más grande.

2.2) Instalación típica

La figura 2 muestra la instalación típica de la automatización de una puerta de corredera utilizando el RUN.



2

- | | |
|---|--|
| 1 Selector de llave | 7 Cremallera |
| 2 Receptores FT210B | 8 Luz intermitente con antena incorporada |
| 3 Fotocélulas | 9 RUN |
| 4 Transmisor FT210B | 10 Soporte de fin de carrera de "Cierre". |
| 5 Banda sensible principal montada en el elemento móvil | 11 Banda sensible secundaria montada en el elemento móvil (opcional) |
| 6 Soporte de fin de carrera de "Apertura". | 12 Transmisor |

2.3) Lista de cables

En la instalación típica de la figura 2 se indican también los cables necesarios para las conexiones de los diversos dispositivos; en la tabla 5 se indican las características de los cables.

⚠ Los cables utilizados deben ser adecuados para el tipo de instalación; por ejemplo, se aconseja un cable tipo H03VV-F para instalación en ambientes internos o H07RN-F para instalaciones exteriores.

Tabla 5: lista de cables

Conexión	Tipo de cable	Longitud máxima admitida
A: Línea eléctrica de alimentación	1 cable 3x1,5mm ²	30m (nota 1)
B: Luz intermitente con antena	1 cable 2x0,5mm ²	20m
	1 cable blindado tipo RG58	20m (aconsejado menos de 5 m)
C: Fotocélulas	1 cable 2x0,5mm ²	30m (nota 2)
D: Selector de llave	2 cables 2x0,5mm ² (nota 3)	50m
E: Conexión entre las 2 bandas sensibles montadas en elementos móviles	1 cable 2x0,5mm ² (nota 4)	20m
F: Conexión bandas sensibles montadas en elementos móviles	1 cable 2x0,5mm ² (nota 5)	30m

Nota 1: si el cable de alimentación es más largo de 30 m debe tener una sección más grande, por ejemplo 3x2,5mm² y es necesario procurar una puesta a tierra de seguridad cerca del automatismo.

Nota 2: si el cable "BLUEBUS" es más largo de 30 m, hasta un máximo de 50m, se necesita un cable 2x1mm².

Nota 3: los dos cables 2x0,5mm² pueden sustituirse con un solo cable 4x0,5mm².

Nota 4: si se incorpora más de una banda véase el capítulo "7.3.2 Entrada STOP" para el tipo de conexión aconsejada

Nota 5: para la conexión de las bandas sensibles montadas en los elementos móviles de las puertas de corredera, hay que utilizar dispositivos oportunos que permitan la conexión también con la puerta en movimiento; en la figura está indicada la utilización de FT210B

3) Instalación

⚠ El RUN debe ser instalado por personal cualificado, respetando las leyes, normas y reglamentos y las indicaciones de las presentes instrucciones.

3.1) Controles preliminares

Antes de comenzar con la instalación del RUN es necesario efectuar los siguientes controles:

- Controle que todo el material a utilizar esté en perfectas condiciones, sea adecuado para su uso y que respete las normas.
- Controle que la estructura de la puerta sea adecuada para su automatización.
- Controle que el peso y las dimensiones de la hoja respeten los límites de utilización indicados en el capítulo "2.1 Límites de utilización".
- Controle, comparando con los valores indicados en el capítulo "8 Características técnicas", que la fuerza necesaria para poner en movimiento la puerta sea inferior a la mitad del "Par máximo", y que la fuerza necesaria para mantener la puerta en movimiento, sea inferior a la mitad del "Par nominal"; se aconseja un margen del 50% sobre las fuerzas, porque las condiciones climáticas adversas pueden aumentar las fricciones.
- Controle que a lo largo de toda la carrera de la puerta, tanto de cierre como de apertura, no haya puntos con mayor fricción.
- Controle que no exista el peligro de que la hoja se descarrille y de que se pueda salir de las guías.
- Compruebe la robustez de los topes mecánicos de sobrerrecorrido, controlando que no se produzcan deformaciones tampoco si la puerta golpea con fuerza contra el tope.
- Controle que la puerta esté bien equilibrada, es decir que no se mueva al dejarla detenida en cualquier posición.
- Controle que la zona de fijación del motorreductor no pueda inundarse; de ser oportuno, monte el motorreductor levantado del piso.

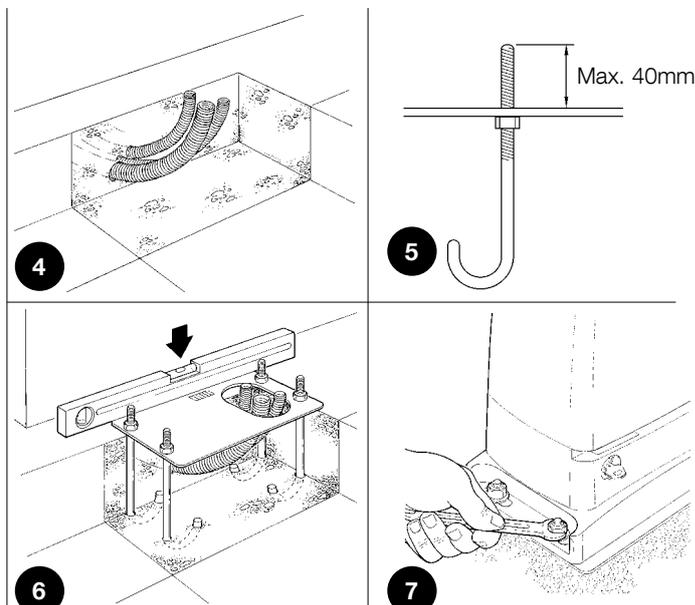
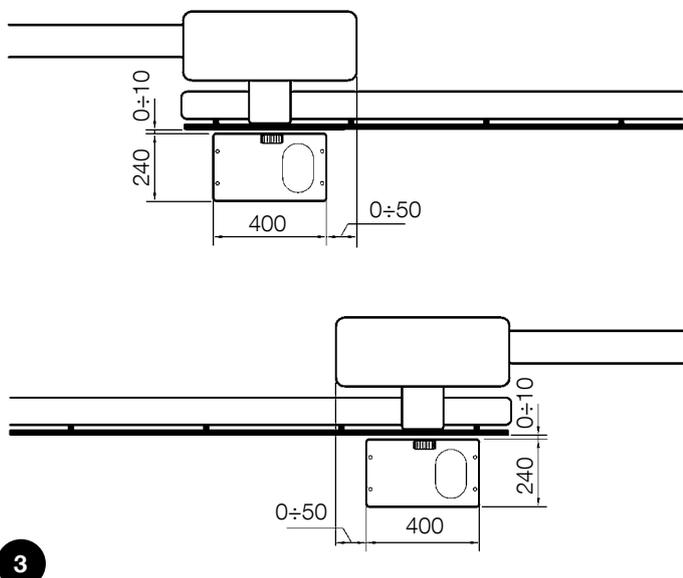
- Controle que la zona de fijación del motorreductor permita el desbloqueo y una maniobra manual fácil y segura.
- Controle que los puntos de fijación de los distintos dispositivos se encuentren en zonas protegidas de choques y que las superficies sean suficientemente firmes.
- Los componentes del automatismo no deben quedar sumergidos en agua ni en otras sustancias líquidas.
- No coloque el RUN cerca de llamas o fuentes de calor; en atmósferas con riesgo de explosión, muy ácidas o salinas; porque el RUN podría arruinarse y tener problemas de funcionamiento o generar situaciones peligrosas.
- Si hubiera un portillón de paso en la misma hoja o una puerta en la zona de movimiento de la hoja, asegúrese de que no obstaculice la carrera normal e incorpore un sistema de interbloqueo oportuno en su caso.
- Conecte la central a una línea de alimentación eléctrica dotada de puesta a tierra de seguridad.
- La línea de alimentación eléctrica debe estar protegida por un dispositivo magnetotérmico y diferencial adecuado.
- En la línea de alimentación de la red eléctrica hay que montar un dispositivo de desconexión de la alimentación (con categoría de sobretensión III, es decir distancia entre los contactos de 3,5 mm como mínimo) u otro sistema equivalente, por ejemplo una toma y una clavija. Si el dispositivo de desconexión de la alimentación no está cerca del automatismo, coloque un sistema de bloqueo a fin de evitar la conexión accidental o no autorizada.

3.2) Fijación del motorreductor

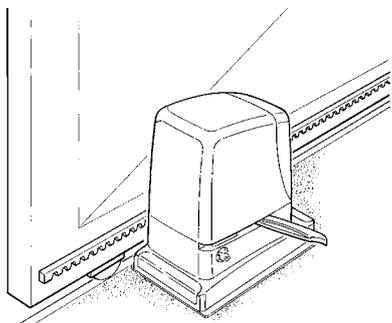
Si ya existe la superficie de apoyo, el motorreductor se fija directamente sobre la superficie utilizando elementos adecuados, por ejemplo tacos de expansión. Por el contrario, para fijar el motorreductor:

1. Efectúe la excavación para una cimentación de dimensiones adecuadas, utilizando como referencia las cotas indicadas en la Figura 3
2. Haga llegar uno o varios tubos para pasar los cables eléctricos, como muestra la Figura 4.
3. Ensamble las dos grapas en la placa de cimentación colocando una tuerca abajo y una encima de la placa; la tuerca debajo de la placa se enrosca como se muestra en la Figura 5, a fin de que la parte roscada sobresalga en torno a 40 mm por encima de la placa.

4. Realice la colada de hormigón y, antes de que comience a fraguar, coloque la placa de cimentación según las cotas indicadas en la figura 3; compruebe que quede paralela a la hoja y perfectamente nivelada, figura 6. Espere a que el hormigón fragüe completamente.
5. Quite las 4 tuercas superiores de la placa y apoye el motorreductor; compruebe que quede perfectamente paralelo respecto de la hoja y después enrosque ligeramente las 4 tuercas y arandelas entregadas, como muestra la figura 7.

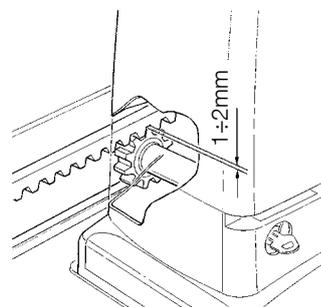


6. Desbloquee el motorreductor tal como indicado en el párrafo “Desbloqueo y movimiento manual” en el capítulo “Instrucciones y advertencias para el usuario del motorreductor RUN”.
7. Abra completamente la puerta, apoye sobre el piñón el primer tramo de cremallera y controle que el comienzo de la cremallera corresponda con el comienzo de la puerta, tal como muestra la figura 8. Controle que entre el piñón y la cremallera haya un huelgo de $1 \div 2$ mm, después fije la cremallera a la hoja utilizando los elementos adecuados.

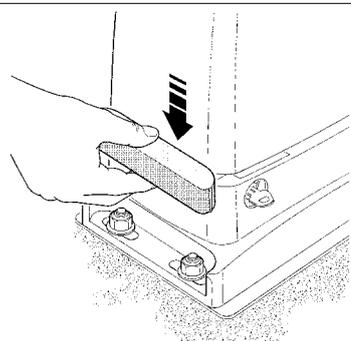


8

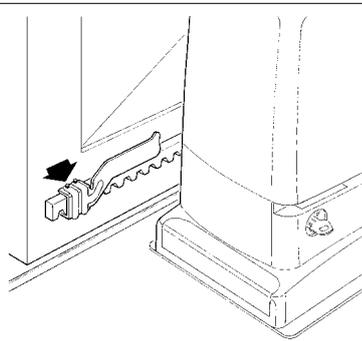
⚠ Para evitar que el peso de la hoja pueda cargar sobre el motorreductor, es importante que entre la cremallera y el piñón haya un huelgo de $1 \div 2$ mm tal como muestra la figura 9.



9



10



11

8. Haga deslizar la hoja y utilice siempre el piñón como referencia para fijar los demás elementos de la cremallera.
9. Corte la parte excedente del último tramo de la cremallera.
10. Abra y cierre varias veces la puerta, comprobando que la cremallera se deslice alineada al piñón, con una desalineación máxima de 5 mm, y que a todo lo largo se haya respetado un huelgo de $1 \div 2$ mm entre el piñón y la cremallera.
11. Apriete con fuerza las tuercas de fijación del motorreductor a fin de que quede fijado firmemente al piso; cubra las tuercas de fijación con las tapas correspondientes, figura 10.
12. Fije los soportes de fin de carrera tal como indicado a continuación (para las versiones RUN1800P y RUN2500P fije los soportes según

las instrucciones del párrafo “3.3 Fijación de los soportes de fin de carrera en las versiones con fin de carrera de proximidad inductivo”):

- Coloque la puerta manualmente en posición de apertura dejando por lo menos 2 - 3 cm de distancia desde el tope mecánico.
- Deslice el soporte sobre la cremallera en la dirección de apertura hasta que se active el fin de carrera. Entonces, adelante el soporte unos 2 cm y después fíjelo a la cremallera con los tornillos sin cabeza correspondientes, véase figura 11.
- Proceda de igual manera para el fin de carrera de cierre.

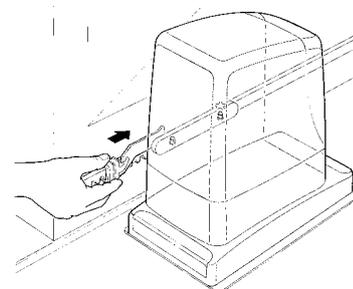
13. Bloquee el motorreductor tal como indicado en el párrafo “Desbloqueo y movimiento manual” en el capítulo “Instrucciones y advertencias para el usuario”.

3.3) Fijación de los soportes de fin de carrera en las versiones con fin de carrera de proximidad inductivo

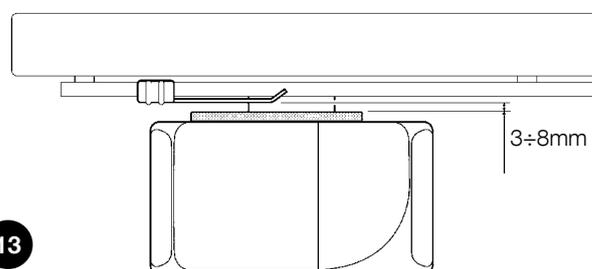
Para las versiones RUN1800P y RUN2500P, que utilizan el fin de carrera de proximidad inductivo, hay que fijar los soportes de fin de carrera como se explica a continuación.

1. Coloque la puerta manualmente en posición de apertura dejando por lo menos 2 - 3 cm de distancia desde el tope mecánico.
2. Deslice el soporte sobre la cremallera en la dirección de apertura hasta que el led correspondiente se apague, tal como en la figura 12. Entonces, adelante el soporte unos 2 cm y después fíjelo a la cremallera con los tornillos sin cabeza correspondientes.
3. Coloque la puerta manualmente en posición de cierre dejando por lo menos 2 - 3 cm de distancia desde el tope mecánico.
4. Deslice el soporte sobre la cremallera en la dirección de cierre hasta que el led correspondiente se apague. Entonces, adelante el soporte unos 2 cm y después fíjelo a la cremallera con los tornillos sin cabeza correspondientes.

⚠ En el fin de carrera de proximidad inductivo la distancia ideal del soporte está comprendida entre 3 y 8 mm, como muestra la figura 13.



12



13

3.4) Instalación de los diferentes dispositivos

Instale los demás dispositivos siguiendo las instrucciones correspondientes. Controle en el párrafo "3.6 Descripción de las conexiones eléctricas" y en la figura 2, los dispositivos que pueden conectarse al RUN.

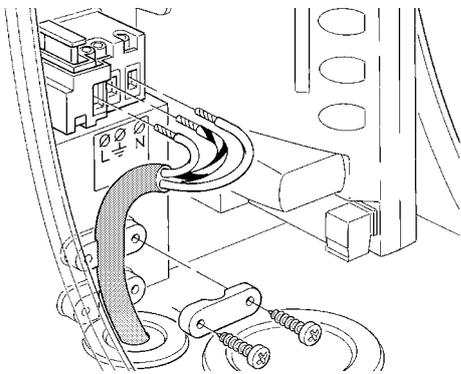
3.5) Conexiones eléctricas

⚠ Las conexiones eléctricas deben efectuarse sin tensión en la instalación.

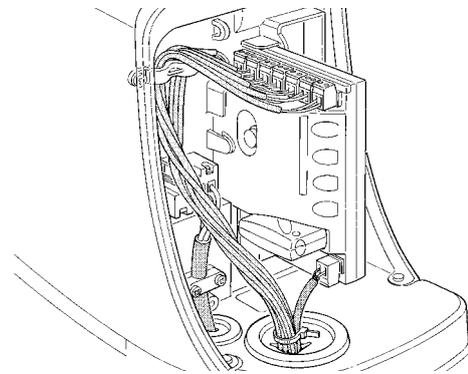
1. Para desmontar la tapa de protección y acceder a la central electrónica de control del RUN quite el tornillo del costado y extraiga la tapa tirando de ella hacia arriba.
2. Quite las dos membranas de goma que cierra los dos agujeros para pasar los cables. Introduzca el cable de alimentación solo por el agujero más pequeño y los demás cables hacia los distintos dispositivos por el agujero más grande. Deje los cables 20÷30 cm más largos de lo necesario. Véase la tabla 5 para el tipo de cable y la figura 2 para las conexiones.
3. Con una brida reúna todos los cables que entran por el agujero más grande. Coloque la brida un poco más abajo del agujero de entrada de los cables. En la membrana de goma, corte un agujero un poco más estrecho que el diámetro de los cables recogidos

e introduzca la membrana a lo largo de los cables hasta la brida; entonces, vuelva a colocar la membrana en el alojamiento del agujero para el paso de los cables. Coloque otra brida para recoger los cables un poco más arriba de la membrana.

4. En la membrana más pequeña recorte un agujero un poco más pequeño que el diámetro del cable y introduzca la membrana a lo largo del cable hasta montarla en su alojamiento.
5. Conecte el cable de alimentación en el borne correspondiente, tal como en figura 14, y con una brida bloquee el cable.
6. Conecte los demás cables según el esquema de la figura 16. Para una mayor comodidad los bornes pueden extraerse.
7. Una vez concluidas las conexiones, bloquee con bridas los cables reunidos en los anillos sujetacables, la parte sobrante del cable de la antena se bloquea a los demás cables con otra brida, como muestra la figura 15.

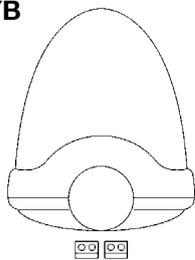


14



15

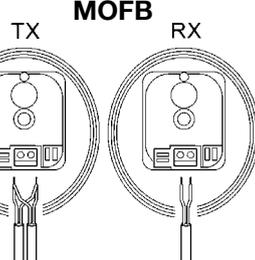
LUCYB



S.C.A.

24v 4w

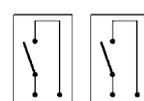
MOFB



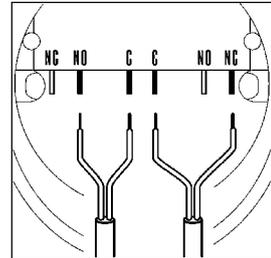
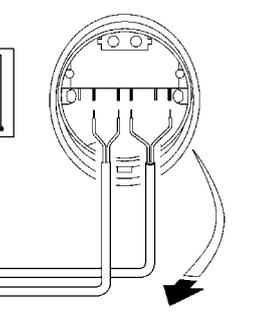
TX

RX

OPEN CLOSE



MOSE



16

Para la conexión de 2 motores en hojas contrapuestas, véase el párrafo "7.3.5 RUN en modo Slave".

3.6) Descripción de las conexiones eléctricas

En este párrafo hay una breve descripción de las conexiones eléctricas; otras informaciones en el párrafo "7.3 Instalación y desinstalación de dispositivos".

FLASH: salida para una o dos luces intermitentes "LUCYB" o similar sólo con la bombilla de 12V máximo 21W.

S.C.A.: salida "Indicador Luminoso Cancela Abierta"; es posible conectar una bombilla de 24V, máximo 4W. También puede programarse para otras funciones; véase el párrafo "7.2.3 Funciones de segundo nivel".

BLUEBUS: en este borne se pueden conectar los dispositivos compatibles; todos los dispositivos se conectan en paralelo con dos conductores solos por los que transitan tanto la alimentación eléctrica como las señales de comunicación. Para más informaciones sobre BlueBUS véase el párrafo "7.3.1 BlueBUS".

STOP: entrada para los dispositivos que bloquean o detienen la maniobra que se está ejecutando; con soluciones oportunas

pueden conectarse en la entrada contactos tipo "Normalmente Cerrado", "Normalmente Abierto" o dispositivos de resistencia constante. Para más informaciones sobre STOP véase el párrafo "7.3.2 Entrada STOP".

P.P.: entrada para los dispositivos que controlan el movimiento; es posible conectar contactos tipo "Normalmente Abierto".

OPEN: entrada para dispositivos que accionan el movimiento de apertura sola; es posible conectar contactos tipo "Normalmente Abierto".

CLOSE: entrada para dispositivos que accionan el movimiento de cierre solo; es posible conectar contactos tipo "Normalmente Abierto".

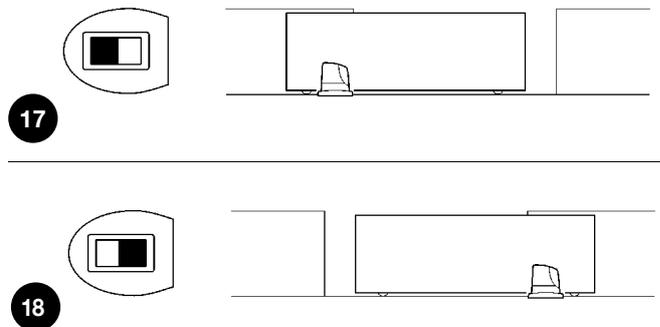
ANTENA: entrada de conexión de la antena para receptor (la antena está incorporada en LUCY B).

4) Controles finales y puesta en marcha

Antes de comenzar el control y de poner en marcha la automatización, se aconseja colocar la puerta en la mitad de su carrera para que pueda abrirse o cerrarse libremente.

4.1) Selección de la dirección

De acuerdo con la posición del motorreductor respecto de la puerta, es necesario elegir la dirección de la maniobra de apertura; si para abrirse la hoja debe moverse hacia la izquierda, desplace el selector hacia la izquierda, tal como indicado en la figura 17, si para abrirse la puerta debe moverse hacia la derecha, coloque el selector hacia la derecha, tal como indicado en la figura 18.



4.2) Conexión de la alimentación

⚠ La conexión de la alimentación al RUN debe ser hecha por personal técnico experto y cualificado, que posea los requisitos exigidos y respetando las normas, leyes y reglamentos.

Ni bien se conecta la tensión al RUN, se aconseja realizar algunos controles sencillos:

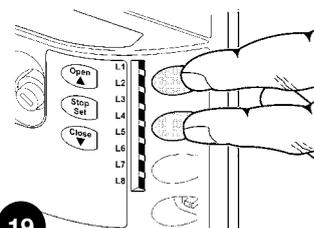
1. Controle que el led BlueBUS destelle regularmente con una frecuencia de un destello por segundo.
2. Controle que también destellen los leds de las fotocélulas (tanto en TX como en RX); no es importante el tipo de destello, depende de otros factores.

3. Controle que la luz intermitente conectada a la salida FLASH y la luz indicadora conectada a la salida S.C.A. estén apagadas. Si así no fuera, se aconseja apagar inmediatamente la alimentación de la central y controlar con mayor atención las conexiones eléctricas. Otras informaciones útiles para la búsqueda y el diagnóstico de las averías se encuentran en el capítulo "7.6 Solución de los problemas".

4.3) Aprendizaje de los dispositivos

Después de concluir la conexión de la alimentación, hay que hacer que la central reconozca los dispositivos conectados en las entradas BLUEBUS y STOP. Antes de esta etapa los leds L1 y L2 destellan indicando que se ha de efectuar el aprendizaje de los dispositivos.

1. Pulse y mantenga pulsados los botones **[▲]** y **[Set]**
2. Suelte los botones cuando los leds L1 y L2 comiencen a destellar muy rápidamente (transcurridos alrededor de 3s)
3. Espere algunos segundos a que la central concluya el aprendizaje de los dispositivos.
4. Al concluir el aprendizaje, el led STOP debe quedar encendido y los leds L1 y L2 se apagarán (podrían comenzar a destellar los leds L3 y L4).

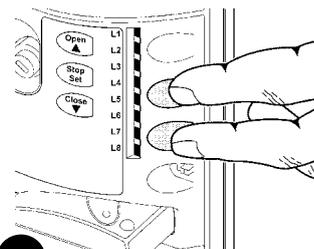


La etapa de aprendizaje de los dispositivos conectados puede repetirse en cualquier momento, incluso después de la instalación, por ejemplo si se añade un dispositivo; para efectuar un nuevo aprendizaje véase el párrafo "7.3.6 Aprendizaje de otros dispositivos".

4.4) Aprendizaje de la longitud de la hoja

Después del aprendizaje de los dispositivos, comenzarán a destellar los leds L3 y L4; esto significa que es necesario que la central reconozca la longitud de la hoja (distancia desde el fin de carrera de cierre al fin de carrera de apertura); dicha medida es necesaria para calcular los puntos de deceleración y el punto de apertura parcial.

1. Pulse y mantenga pulsados los botones **[▼]** y **[Set]**
2. Suelte los botones cuando comience la maniobra (transcurridos unos 3s)
3. Controle que la maniobra sea una apertura, por el contrario presione el botón **[Stop]** y lea con mayor atención el párrafo "4.1 Selección de la dirección"; entonces repita desde el punto 1.
4. Espere a que la central complete la maniobra de apertura hasta llegar al fin de carrera de apertura; inmediatamente después comienza la maniobra de cierre.
5. Espere a que la central complete la maniobra de cierre.



20

Si así no fuera, se aconseja apagar inmediatamente la alimentación de la central y controlar con mayor atención las conexiones eléctricas. Otras informaciones útiles se encuentran en el capítulo "7.6 Solución de los problemas".

4.5) Control del movimiento de la puerta

Después del aprendizaje de la longitud de la hoja se aconseja efectuar algunas maniobras para verificar el movimiento correcto de la puerta.

1. Pulse el botón **[Open]** para accionar una maniobra de "Abrir"; controle que la puerta se abra normalmente sin cambios de velocidad; solamente cuando la puerta está entre 50 cm y 70 cm del fin de carrera de apertura deberá desacelerar y detenerse, por la activación del fin de carrera, a 2÷3 cm del tope mecánico de apertura.
2. Pulse el botón **[Close]** para accionar una maniobra de "Cerrar"; controle que la puerta se cierre normalmente sin cambios de velocidad; solamente cuando la puerta está entre 50 cm y 70 cm del fin de carrera de cierre deberá desacelerar y detenerse, por la activación del fin de carrera, a 2÷3 cm del tope mecánico de cierre.
3. Durante las maniobras controle que la luz intermitente destelle con intervalos de 0,5s encendido y 0,5s apagado. En su caso, controle también los destellos de la luz indicadora conectada al borne S.C.A.: destello lento durante la apertura y rápido durante el cierre.
4. Realice varias maniobras de apertura y cierre a fin de observar posibles defectos de montaje y de regulación u otras irregularidades, por ejemplo puntos de mayor fricción.
5. Controle que la fijación del motorreductor RUN, de la cremallera y de los soportes de fin de carrera sean firmes, estables y adecuadamente resistentes también durante las aceleraciones o deceleraciones violentas del movimiento de la puerta.

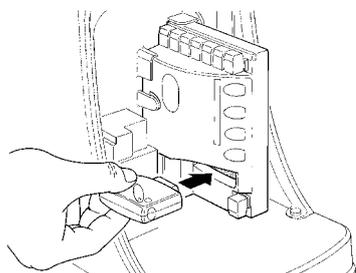
4.6) Funciones predeterminadas

La central de control del RUN dispone de algunas funciones programables; tales funciones se regulan en fábrica con una configuración que debería satisfacer la mayoría de las automatizaciones; sin embargo, las funciones pueden modificarse en cualquier momento

mediante un procedimiento de programación oportuno; a tal fin véase el párrafo "7.2 Programaciones".

4.7) Receptor

Para el accionamiento a distancia del RUN, la central de control incorpora el enchufe SM para radiorreceptores tipo SMXI o SMXIS. Para conectar el receptor, apague la alimentación de RUN y ejecute la operación indicada en la figura 21. En la tabla 6, se describe la asociación entre la salida del receptor SMXI y la orden que el RUN cumplirá:



21

Para más informaciones, consulte el manual de instrucciones del receptor.

Tabla 6: mandos con transmisor SMXI, SMXIS

Salida N°1	Mando "P.P." (Paso a Paso)
Salida N°2	Mando "Apertura parcial"
Salida N°3	Mando "Abrir"
Salida N°4	Mando "Cerrar"

5) Ensayo y puesta en servicio

Esta es la etapa más importante de la realización del automatismo a fin de garantizar su máxima seguridad. El ensayo también puede utilizarse como control periódico de los dispositivos que componen el automatismo.

⚠ El ensayo de toda la instalación debe ser efectuado por personal cualificado y experto que deberá establecer los ensayos previstos de acuerdo con los riesgos presentes y controlar que se respeten las leyes, normativas y reglamentos, especialmente todos los requisitos de la norma EN 12445 que establece los métodos de ensayo de los automatismos para puertas.

5.1) Ensayo

Cada componente del automatismo, por ejemplo bandas neumáticas, fotocélulas, parada de emergencia, etc., exige un fase de ensayo específica; por dicha razón se deberán seguir los diferentes procedimientos indicados en los manuales de instrucciones respectivos. Para el ensayo del RUN ejecute la siguiente secuencia de operaciones:

1. Controle que hayan sido respetadas estrictamente las indicaciones dadas en este manual y especialmente aquellas del capítulo "1 Advertencias";
2. Desbloquee el motorreductor tal como indicado en el párrafo "Desbloqueo y movimiento manual" en el capítulo "Instrucciones y advertencias para el usuario del motorreductor RUN".
3. Controle que sea posible abrir y cerrar manualmente la puerta con una fuerza que no supere 390N (alrededor de 40kg).
4. Bloqueo del motorreductor.
5. Utilizando los dispositivos de mando o de parada previstos (selector de llave, botones de mando o transmisores), efectúe ensayos

de apertura, cierre y parada de la puerta y compruebe que el comportamiento sea el previsto.

6. Controle uno por uno el funcionamiento correcto de todos los dispositivos de seguridad incorporados en la instalación (fotocélulas, bandas sensibles, parada de emergencia, etc.), comprobando que el comportamiento de la puerta corresponda al previsto. Cada vez que un dispositivo se acciona, el led "BlueBUS" en la central debe emitir 2 destellos más rápidos, confirmando que la central reconoce el evento.
7. Si las situaciones peligrosas causadas por el movimiento de la puerta se han prevenido limitando la fuerza de impacto, hay que medir la fuerza de acuerdo con la disposición de la norma EN 12445. Si la regulación de la "Sensibilidad detección obstáculos" y el control del "Par del motor" se usan como una ayuda del sistema para reducir la fuerza de impacto, pruebe y busque la regulación que dé los mejores resultados.

5.2) Puesta en servicio

La puesta en servicio puede llevarse a cabo sólo después de haber efectuado correctamente todas las etapas de ensayo del RUN y de los demás dispositivos montados. Está prohibida la puesta en servicio parcial o en situaciones "precarias".

1. Realice y conserve durante al menos 10 años el expediente técnico de la automatización que deberá incluir como mínimo: el dibujo de conjunto de la automatización, esquema de las conexiones eléctricas, análisis de los riesgos y soluciones adoptadas, declaración de conformidad del fabricante de todos los dispositivos utilizados (para el RUN utilice la Declaración de conformidad CE adjunta); copia del manual de instrucciones de uso y del plan de mantenimiento del automatismo.
2. Aplique a la puerta una placa con los siguientes datos: tipo de automatización, nombre y dirección del fabricante (responsable de la "puesta en servicio"), número de matrícula, año de fabricación y marcado "CE".

3. Aplique de manera permanente, cerca de la puerta, una etiqueta o una placa que indique las operaciones para el desbloqueo y la maniobra manual.
4. Prepare y entregue al dueño de la automatización la declaración de conformidad correspondiente .
5. Prepare y entregue al dueño el "Manual de instrucciones y advertencias para el uso de la automatización".
6. Prepare y entregue al dueño el plan de mantenimiento de la automatización (que debe incluir todas las prescripciones sobre el mantenimiento de cada dispositivo).
7. Antes de poner en funcionamiento la automatización, informe adecuadamente y por escrito al dueño (por ejemplo en el manual de instrucciones y advertencias para el uso de la automatización) acerca de los peligros y los riesgos presentes.

6) Mantenimiento y desguace

En este capítulo se mencionan las informaciones para realizar el plan de mantenimiento y el desguace del RUN.

6.1) Mantenimiento

Para que el nivel de seguridad sea constante y para garantizar la duración máxima de la automatización, es necesario hacer un mantenimiento habitual; a tal fin el RUN dispone de un contador de maniobras y de un sistema de señalización de petición de mantenimiento; véase el párrafo "7.4.4 Aviso de Mantenimiento".

⚠ El mantenimiento debe efectuarse respetando las prescripciones en materia de seguridad de este manual y según las leyes y normativas vigentes.

Para los demás dispositivos diferentes del RUN siga las instrucciones mencionadas en los planes de mantenimiento correspondientes.

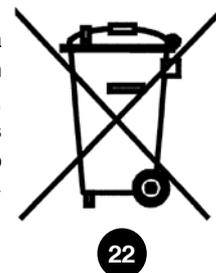
1. El RUN requiere que se efectúe un mantenimiento programado antes de transcurridos 6 meses o, como máximo, 20.000 maniobras a partir del mantenimiento anterior.
2. Desconecte cualquier fuente de alimentación eléctrica.
3. Compruebe las condiciones de todos los materiales que componen la automatización, controlando especialmente los fenómenos de corrosión y oxidación de las piezas de la estructura; sustituya las piezas que no sean lo suficientemente seguras.
4. Controle el desgaste de las piezas en movimiento: piñón, cremallera y todas las piezas de la hoja, sustituya las piezas gastadas.
5. Conecte las fuentes de alimentación eléctrica y ejecute todos los ensayos y controles previstos en el párrafo "5.1 Ensayo".

6.2) Desguace

Al igual que para la instalación, también las operaciones de desguace, al final de la vida útil de este producto, deben ser efectuadas por personal cualificado. Este producto está formado de diversos tipos de materiales, algunos pueden reciclarse y otros deben ser eliminados. Infórmese sobre los sistemas de reciclaje o de eliminación del producto respetando las normas locales vigentes para este tipo de categoría de producto.

⚠ Algunas partes del producto pueden contener sustancias contaminantes o peligrosas; si se abandonarán en el medio ambiente podrían ser perjudiciales para el ambiente y para la salud de las personas.

Como indicado por el símbolo de la figura 22, está prohibido arrojar este producto en los residuos domésticos. Para la eliminación, realice la recogida diferencial, según los métodos previstos por las reglas locales, o bien entregue el producto al vendedor cuando compre un nuevo producto equivalente.



Las reglas locales pueden prever sanciones importantes en el caso de eliminación abusiva de este producto.

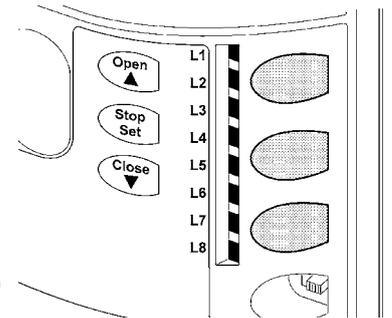
7) Otras informaciones

En este capítulo se tratarán las posibilidades de programación, personalización, diagnóstico y búsqueda de las averías sobre el RUN.

7.1) Botones de programación

En la central de control del RUN hay 3 botones que pueden utilizarse para el accionamiento de la central durante los ensayos o para las programaciones:

Open ▲	El botón "OPEN" permite accionar la apertura de la puerta o desplazar hacia arriba el punto de programación
Stop Set	El botón "STOP" permite detener la maniobra; al presionarlo durante más de 5 segundos, permite entrar en programación.
Close ▼	El botón "CLOSE" permite accionar el cierre de la puerta o desplazar hacia abajo el punto de programación



23

7.2) Programaciones

En la central de control del RUN hay algunas funciones programables; las funciones se regulan con los 3 botones situados en la central: [▲] [Set] [▼] y se visualizan a través de los 8 leds: L1...L8. Las funciones programables disponibles en el RUN están dispuestas en 2 niveles:

Primer nivel: funciones regulables en modo ON-OFF (activo o

desactivado); en este caso, cada led L1...L8 indica una función; si está encendido, la función está activa, si está apagado, la función está desactivada; véase la tabla 7.

Segundo nivel: parámetros regulables en una escala de valores (valores de 1 a 8); en este caso cada led L1...L8 indica el valor regulado entre los 8 valores posibles; véase la tabla 9.

7.2.1) Funciones de primer nivel (funciones ON-OFF)

Tabla 7: lista de las funciones programables: primer nivel

Led	Función	Descripción
L1	Cierre automático.	Esta función permite un cierre automático de la puerta después del tiempo de pausa programado, de fábrica el Tiempo Pausa está configurado en 30 segundos, pero puede modificarse en 5, 15, 30, 45, 60, 80, 120 y 180 segundos. Si la función está desactivada, el funcionamiento es "semiautomático".
L2	Cerrar después de Fotocélula	Esta función permite tener la puerta abierta solo durante el tiempo necesario para el tránsito, en efecto, la activación de "Foto" provoca siempre un cierre automático con un tiempo de pausa de 5s (independientemente del valor programado) El comportamiento cambia según si se activa o no la función de "Cierre Automático". Con "Cierre Automático" desactivado: la puerta siempre alcanza la posición de apertura total (aunque si la Fotocélula queda descubierta antes). Al quedar la fotocélula descubierta se provoca el cierre automático con una pausa 5s. Con "Cierre Automático" activo: la maniobra de apertura se detiene inmediatamente después de que las fotocélulas quedan descubiertas y, transcurridos 5 seg, comenzará la maniobra de cierre. La función "Cerrar después de Fotocélula" siempre se deshabilita en las maniobras interrumpidas por un mando de Stop. Si la función "Cerrar después de fotocélula" no está activa el tiempo de pausa será aquel programado, o no se producirá el cierre automático si la función no está activa.
L3 que	Cerrar Siempre	La función "Cerrar Siempre" se activa provocando un cierre cuando al volver la alimentación se detecta la puerta está abierta. Por motivos de seguridad, la maniobra es antecedida de 5s de destello previo. Si la función está desactivada, al volver la alimentación la puerta quedará detenida.
L4	Desaceleración	Activando esta función se activa una etapa de desaceleración al final de los movimientos de apertura y de cierre. La velocidad de desaceleración corresponde al 60% aproximadamente de la velocidad nominal. Atención: durante la desaceleración, el motor suministra únicamente la mitad del par nominal; no se podrá utilizar la desaceleración en cancelas pesadas o que requieran el par máximo. Si la desaceleración está desactivada, la velocidad seguirá constante durante todo el movimiento.
L5	Punto de arranque	Activando esta función se desactiva la aceleración gradual en cada comienzo de movimiento; permite obtener la fuerza máxima de arranque y es útil donde existen grandes fricciones estáticas, por ejemplo en caso de nieve o hielo que bloqueen la puerta. Si el punto de arranque no está activo, comienza con una aceleración gradual.
L6	Destello previo	Con la función de destello previo se añade una pausa de 3s entre el encendido de la luz intermitente y el comienzo de la maniobra, para advertir anticipadamente acerca de la situación de peligro. Si el destello previo está desactivado, el encendido de la luz intermitente coincide con el comienzo de la maniobra.
L7	"Cerrar" se convierte "Abrir Parcial"	Activando esta función, todos los mandos "cerrar" (entrada "CLOSE" o mando radio "cerrar") activan una maniobra de apertura parcial (véase led L6 en la tabla 9).
L8	Modo "Slave" (esclavo)	Activando esta función, el RUN se convierte en "Slave" (se esclaviza): así es posible sincronizar el funcionamiento de 2 motores montados en dos hojas contrapuestas, en las que un motor funciona como Máster y el otro como Slave; para más detalles véase el párrafo " 7.3.5 RUN en modo "Slave".

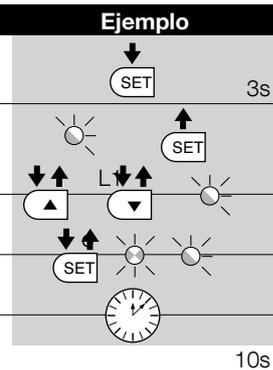
Durante el funcionamiento normal del RUN, los leds L1...L8 están encendidos o apagados de acuerdo con el estado de la función que estos representan, por ejemplo L1 está encendido si la función "Cierre automático" está activa.

7.2.2 Programación de primer nivel (funciones ON-OFF)

Todas las funciones del primer nivel están configuradas de fábrica en "OFF", pero pueden cambiarse en cualquier momento, tal como indicado en la tabla 8. Tenga cuidado al efectuar este procedimiento porque hay un tiempo máximo de 10s entre que se presiona un botón y el otro, en caso contrario, el procedimiento termina automáticamente, memorizando las modificaciones hechas hasta ese momento.

Tabla 8: para cambiar las funciones ON-OFF

1. Pulse y mantenga pulsado el botón **[Set]** durante unos 3s
2. Suelte el botón **[Set]** cuando el led L1 empiece a destellar
3. Pulse los botones **[▲]** o **[▼]** para pasar del led intermitente al led que representa la función a modificar
4. Pulse el botón **[Set]** para cambiar el estado de la función (destello breve = OFF; destello prolongado = ON)
5. Espere 10s para salir de la programación por conclusión del tiempo máximo.



Nota: los puntos 3 y 4 pueden repetirse durante la misma etapa de programación para colocar en ON u OFF las demás funciones

7.2.3 Funciones de segundo nivel (parámetros regulables)

Tabla 9: lista de las funciones programables: segundo nivel

Led de entrada	Parámetro	Led (nivel)	Valor	Descripción
L1	Tiempo Pausa	L1	5 segundos	Regula el tiempo de pausa, es decir el tiempo antes del cierre automático. Tiene efecto sólo si el cierre automático está activo
		L2	15 segundos	
		L3	30 segundos	
		L4	45 segundos	
		L5	60 segundos	
		L6	80 segundos	
		L7	120 segundos	
		L8	180 segundos	
L2	Función P.P.	L1	Abrir - stop - cerrar - stop	Regula la secuencia de mandos asociados a la entrada P.P. o al 1º mando por radio.
		L2	Abrir - stop - cerrar - abrir	
		L3	Abrir - cerrar - abrir - cerrar	
		L4	Comunitario	
		L5	Comunitario2 (más de 2" se detiene)	
		L6	Paso a Paso 2 (menos de 2" provoca apertura parcial)	
		L7	Hombre muerto	
		L8	Apertura modo "semiautomático", cierre modo "hombre muerto"	
L3	Sensibilidad de detección de los obstáculos	L1	Sensibilidad altísima (cancelas ligeras)	Regula la sensibilidad de la detección de obstáculos. Tenga cuidado porque la sensibilidad está influenciada también por la fuerza del motor (véase L5); la fuerza del motor siempre se regula primero; únicamente después se podrá regular la sensibilidad de la detección de los obstáculos.
		L2	Sensibilidad muy alta	
		L3	Sensibilidad alta	
		L4	Sensibilidad mediana	
		L5	Sensibilidad medio baja	
		L6	Sensibilidad baja	
		L7	Sensibilidad muy baja	
		L8	Sensibilidad bajísima (cancelas pesadas)	
L4	Salida S.C.A.	L1	Función "Indicador Luminoso Cancela Abierta"	Regula la función asociada a la salida S.C.A. (cualquiera que sea la función asociada a la salida, cuando está activa, procura una tensión de 24V -30 +50% con una potencia máxima de 4W).
		L2	Activa si la hoja está cerrada	
		L3	Activa si la hoja está abierta	
		L4	Activa con salida radio N°2	
		L5	Activa con salida radio N°3	
		L6	Activa con salida radio N°4	
		L7	Indicador de mantenimiento	
		L8	Electrocerradura	
L5	Control de la fuerza del motor	L1	Fijo a 40%	Después del arranque del motor, regula la fuerza para adecuarlo al peso de la cancela. El sistema de control también mide la temperatura ambiental, aumentando automáticamente la fuerza en caso de temperaturas muy bajas.
		L2	Fijo a 50%	
		L3	Fijo a 60%	
		L4	Fijo a 80%	
		L5	Fijo a 100%	
		L6	Semiautomático 1=40÷100% (1)	
		L7	Semiautomático 2=60÷100% (1)	
		L8	Automático = 0÷100% (2)	

Led de entrada	Parámetro	Led (nivel)	Valor	Descripción
L6	Abrir Parcial	L1	0,5 mt	Regula la medida de la apertura parcial. La apertura parcial se puede accionar con el 2º mando por radio o con "CERRAR", si está activa la función "Cerrar" se convierte en "Abrir Parcial".
		L2	1 mt	
		L3	1,5 mt	
		L4	2 mt	
		L5	2,5 mt	
		L6	3 mt	
		L7	3,4 mt	
		L8	4 mt	
L7	Aviso de mantenimiento	L1	Automático (según el esfuerzo de las maniobras)	Regula la cantidad de maniobras oportunas para señalar la petición de mantenimiento del automatismo (véase párrafo "7.4.4 Aviso de Mantenimiento").
		L2	2.000	
		L3	4.000	
		L4	7.000	
		L5	10.000	
		L6	15.000	
		L7	20.000	
		L8	30.000	
L8	Listado de desperfectos	L1	Resultado 1ª maniobra (la más reciente)	Permite comprobar el tipo de desperfecto que se produjo en las 8 últimas maniobras (véase párrafo "7.6.1 Historial desperfectos").
		L2	Resultado 2ª maniobra	
		L3	Resultado 3ª maniobra	
		L4	Resultado 4ª maniobra	
		L5	Resultado 5ª maniobra	
		L6	Resultado 6ª maniobra	
		L7	Resultado 7ª maniobra	
		L8	Resultado 8ª maniobra	

Nota: "■" representa la regulación de fábrica

Nota (1): regula automáticamente la fuerza necesaria, manteniendo el nivel mínimo de fuerza garantizada.

Nota (2): regula automáticamente la fuerza necesaria.

Todos los parámetros pueden regularse a placer sin ninguna contraindicación; sólo las regulaciones de la "Sensibilidad de la detección de los obstáculos" y el "Control de la fuerza del motor" podrían requerir ciertas precauciones.

- Se desaconseja utilizar valores de fuerza elevados para compensar el hecho de que la puerta tenga puntos de fricción anormales; una fuerza excesiva puede perjudicar el funcionamiento del sistema de seguridad o averiar la hoja.
- Si el control de la "Sensibilidad de la detección de los obstáculos" se utiliza como ayuda para el sistema para reducir la fuerza de impacto, después de cada regulación, repita la medición de la fuerza, tal como previsto por la norma EN 12445.
- El desgaste y las condiciones atmosféricas influyen sobre el movimiento de la puerta; por dicho motivo es necesario controlar periódicamente la regulación de la fuerza.

7.2.4) Programación de segundo nivel (parámetros regulables)

Los parámetros regulables se configuran de fábrica como se muestra en la tabla 9 con: "■" pero pueden cambiarse en cualquier momento, tal como indicado en la tabla N°10. Tenga cuidado al efectuar este procedimiento porque hay un tiempo máximo de 10 s entre que se presiona un botón y el otro, en caso contrario, el procedimiento termina automáticamente, memorizando las modificaciones hechas hasta ese momento.

Tabla 10: para cambiar los parámetros regulables		Ejemplo
1.	Pulse y mantenga pulsado el botón [Set] durante alrededor de 3s	 3s
2.	Suelte el botón [Set] cuando el led L1 empiece a destellar	
3.	Pulse los botones [▲] o [▼] para pasar del led intermitente al "led de entrada" que representa el parámetro a modificar	
4.	Pulse y mantenga pulsado el botón [Set], mantenga pulsado el botón [Set] durante todos los pasos 5 y 6	
5.	Espere alrededor de 3s, después se encenderá el led que representa el nivel actual del parámetro a modificar	
6.	Pulse los botones [▲] o [▼] para desplazar el led que representa el valor del parámetro.	
7.	Suelte el botón [Set]	
8.	Espere 10s para salir de la programación por conclusión del tiempo máximo.	 10s

Nota: los puntos de 3 a 7 pueden repetirse durante la misma etapa de programación para regular varios parámetros

7.2.5 Ejemplo de programación de primer nivel (funciones ON-OFF)

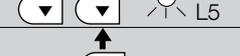
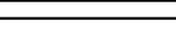
Como ejemplo se menciona la secuencia de operaciones para modificar la configuración de fábrica de las funciones de "Cierre Automático" (L1) y "Cerrar Siempre" (L3).

Tabla 11: ejemplo de programación del primer nivel	Ejemplo
1. Pulse y mantenga pulsado el botón [Set] durante alrededor de 3s	
2. Suelte el botón [Set] cuando el led L1 empiece a destellar	
3. Presione una vez el botón [Set] para modificar el estado de la función asociada a L1 (Cierre Automático); ahora el led L1 destella con un destello prolongado	
4. Pulse 2 veces el botón [▼] para desplazar el led intermitente al led L3	
5. Pulse una vez el botón [Set] para modificar el estado de la función asociada a L3 (Cerrar Siempre); ahora el led L3 destella con un destello prolongado	
6. Espere 10s para salir de la programación por conclusión del tiempo máximo.	

Al final de estas operaciones los leds L1 y L3 deben quedar encendidos, indicando que están activas las funciones "Cierre Automático" y "Cerrar Siempre".

7.2.6 Ejemplo de programación de segundo nivel (parámetros regulables)

Como ejemplo se menciona la secuencia de operaciones para modificar la configuración de fábrica de los parámetros y aumentar el "Tiempo Pausa" a 60s (entrada en L1 y nivel en L5) y reducir el "Control del par" al 60% (entrada en L5 y nivel en L3).

Tabla 12: ejemplo de programación de segundo nivel	Ejemplo
1. Pulse y mantenga pulsado el botón [Set] durante alrededor de 3s	
2. Suelte el botón [Set] cuando el led L1 empiece a destellar	
3. Pulse y mantenga pulsado el botón [Set] ; el botón [Set] debe mantenerse pulsado durante todos los pasos 4 y 5	
4. Espere alrededor de 3s hasta que se encienda el led L3 que representa el nivel actual del "Tiempo Pausa"	
5. Pulse 2 veces el botón [▼] para desplazar el led encendido en L5, que representa el nuevo valor del "Tiempo Pausa"	
6. Suelte el botón [Set]	
7. Pulse 4 veces el botón [▼] para desplazar el led intermitente al led L5	
8. Pulse y mantenga pulsado el botón [Set] ; el botón [Set] debe mantenerse pulsado durante todos los pasos 9 y 10	
9. Espere alrededor de 3s hasta que se encienda el led L5 que representa el nivel actual del Control de "Par del motor"	
10. Pulse 2 veces el botón [▲] para desplazar el led encendido en L3, que representa el nuevo valor del Control de "Par del motor"	
11. Suelte el botón [Set]	
12. Espere 10s para salir de la programación por conclusión del tiempo máximo.	

7.3 Instalación o desinstalación de dispositivos

En una automatización que incorpora el RUN es posible instalarle o desinstalarle dispositivos en cualquier momento. En particular, en "BlueBUS" y en la entrada "STOP" se pueden conectar diversos tipos de dispositivos, tal como indicado en los párrafos siguientes.

Tras instalar o desinstalar los dispositivos, hay que hacer de nuevo el aprendizaje de los dispositivos, tal como descrito en el párrafo "7.3.6 Aprendizaje de otros dispositivos".

7.3.1) BlueBUS

BlueBUS es una técnica que permite efectuar las conexiones de los dispositivos compatibles con dos conductores solos, por los que pasan la alimentación eléctrica y las señales de comunicación. Todos los dispositivos se conectan en paralelo en esos 2 conductores del BlueBUS y sin tener que respetar la polaridad; cada dispositivo es reconocido individualmente puesto que durante la instalación se le asigna una dirección unívoca. En BlueBUS se pueden conectar, por ejemplo: fotocélulas, dispositivos de seguridad, botones de

mando, indicadores luminosos de señalización, etc. La central de control del RUN, a través de una etapa de aprendizaje, reconoce uno a uno todos los dispositivos conectados y es capaz de detectar con extrema seguridad todos los posibles desperfectos. Por dicho motivo, cada vez que se instala o desinstala un dispositivo conectado en BlueBUS, la central deberá ejecutar el aprendizaje como descrito en el párrafo "7.3.6 Aprendizaje de otros dispositivos".

7.3.2) Entrada STOP

STOP es la entrada que provoca la parada inmediata de la maniobra seguida de una breve inversión. En esta entrada se pueden conectar los dispositivos con salida con contacto normalmente abierto "NA", normalmente cerrado "NC" o dispositivos con salida de resistencia constante 8,2kΩ, por ejemplo bandas sensibles.

Al igual que para el BlueBUS, la central reconoce el tipo de dispositivo conectado en la entrada STOP durante la etapa de aprendizaje (véase el párrafo "7.3.6 Aprendizaje de otros dispositivos"); posteriormente, se provoca un STOP cuando se produce cualquier variación respecto del estado memorizado.

Con algunas soluciones oportunas es posible conectar varios dispositivos en la entrada STOP, incluso de diferentes tipos:

- Diversos dispositivos NA pueden conectarse en paralelo entre sí sin límites de cantidad.
- Diversos dispositivos NC pueden conectarse en serie entre sí, sin límites de cantidad.

- Dos dispositivos con salida de resistencia constante 8,2kΩ pueden conectarse en paralelo; si hubiera más de 2 dispositivos, entonces todos deben conectarse "en cascada" con una sola resistencia de terminación de 8,2kΩ.
- La combinación NA y NC puede efectuarse colocando los 2 contactos en paralelo con la precaución de colocar, en serie al contacto NC, una resistencia de 8,2kΩ (esto permite también la combinación de 3 dispositivos: NA, NC y 8,2kΩ).

⚠ Si la entrada STOP se utiliza para conectar los dispositivos con funciones de seguridad, sólo los dispositivos con salida con resistencia constante 8,2kΩ garantizan la categoría de seguridad 3 contra las averías, según la norma EN 954-1.

7.3.3) Fotocélulas

El sistema "BlueBus" permite, mediante el direccionamiento con los puentes correspondientes, que la central reconozca las fotocélulas y asignarles la función correcta de detección. La operación de direccionamiento se realiza tanto en el TX como en el RX (colocando los puentes de conexión de la misma manera), comprobando que no haya otros pares de fotocélulas con la misma dirección.

En una automatización para puertas de correderas con el RUN es posible instalar las fotocélulas según la representación de la figura 24. Después de la instalación o desinstalación de fotocélulas, en la central habrá que ejecutar la etapa de aprendizaje, tal como descrito en el párrafo "7.3.6 Aprendizaje de otros dispositivos".

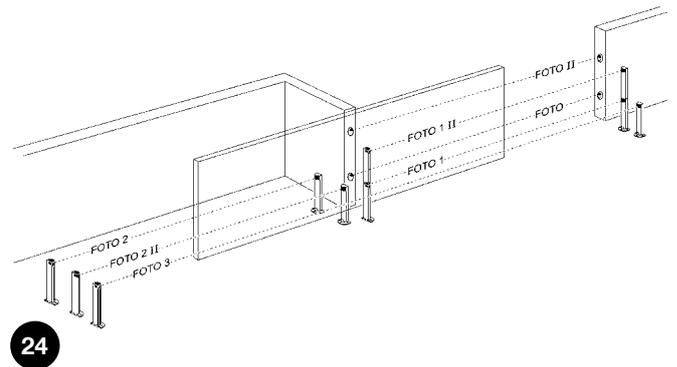


Tabla 13: direcciones de las fotocélulas

Fotocélula	Puentes de conexión	Fotocélula	Puentes de conexión
FOTOCÉLULA Fotocélula exterior h = 50 con accionamiento en el cierre		FOTO 2 Fotocélula exterior con accionamiento en la apertura	
FOTO II Fotocélula exterior h = 100 con accionamiento en el cierre		FOTO 2 II Fotocélula interior con accionamiento en la apertura	
FOTO 1 Fotocélula interior h = 50 con accionamiento en el cierre		FOTO 3 Fotocélula única que cubre todo el automatismo	
FOTO 1 II Fotocélula interior h = 100 con accionamiento en el cierre		⚠ La instalación de FOTO 3 junto con FOTO II requiere que la posición de los elementos que forman la fotocélula (TX-RX) respete la advertencia indicada en el manual de instrucciones de las fotocélulas.	

7.3.4) Fotosensor FT210B

El fotosensor FT210B une, en un solo dispositivo, un sistema de limitación de la fuerza (tipo C según la norma EN12453) y un detector de presencia de obstáculos presentes en el eje óptico entre transmisor TX y receptor RX (tipo D según la norma EN12453). En el fotosensor FT210B las señales del estado de la banda sensible se envían mediante el rayo de la fotocélula integrando los 2 sistemas en un solo dispositivo. La parte transmisora, situada en la hoja móvil, es alimentada con baterías eliminando así los antiestéticos sistemas de conexión; unos circuitos especiales reducen el consumo de la batería para garantizar una duración de hasta 15 años (véanse los detalles de la evaluación en las instrucciones del producto).

Un solo dispositivo FT210B, combinado con una banda sensible (ejemplo TCB65), permite alcanzar el nivel de seguridad de la "banda sensible principal" exigido por la norma EN12453 para cualquier "tipo de utilización" y "tipo de activación".

El fotosensor FT210B, combinado con bandas sensibles "resistivas" (8,2Kohm), es seguro para una avería única (categoría 3 según EN 954-1). Dispone de un circuito especial antichoque que evita interferencias con otros detectores aunque no estén sincronizados y permite añadir otras fotocélulas; por ejemplo, si pasan vehículos veloces pesados donde normalmente se pone una segunda fotocélula a 1 m del suelo.

Para más informaciones sobre los métodos de conexión y de direccionamiento, véase el manual de instrucciones de FT210B.

7.3.5) RUN en modo "Slave"

Programando y conectando oportunamente, el RUN puede funcionar en modo "Slave" (esclavo); dicho modo de funcionamiento se utiliza cuando usted deba automatizar 2 hojas contrapuestas y quiere que las hojas se muevan sincronizadas. En este modo un RUN funciona como Máster (maestro), es decir que ordena las maniobras, y el segundo RUN funciona como Slave, es decir que ejecuta las órdenes enviadas por el Máster (de fábrica todos los RUN son Máster).

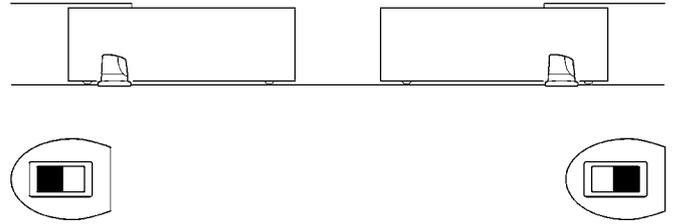
Para configurar el RUN como Slave hay que activar la función de primer nivel "Modo Slave" (véase la tabla 7).

La conexión entre el RUN Máster y el RUN Slave se efectúa mediante BlueBUS.

⚠ En este caso debe respetarse la polaridad en la conexión entre los dos RUN tal como muestra la figura 26 (los demás dispositivos siguen sin tener polaridad).

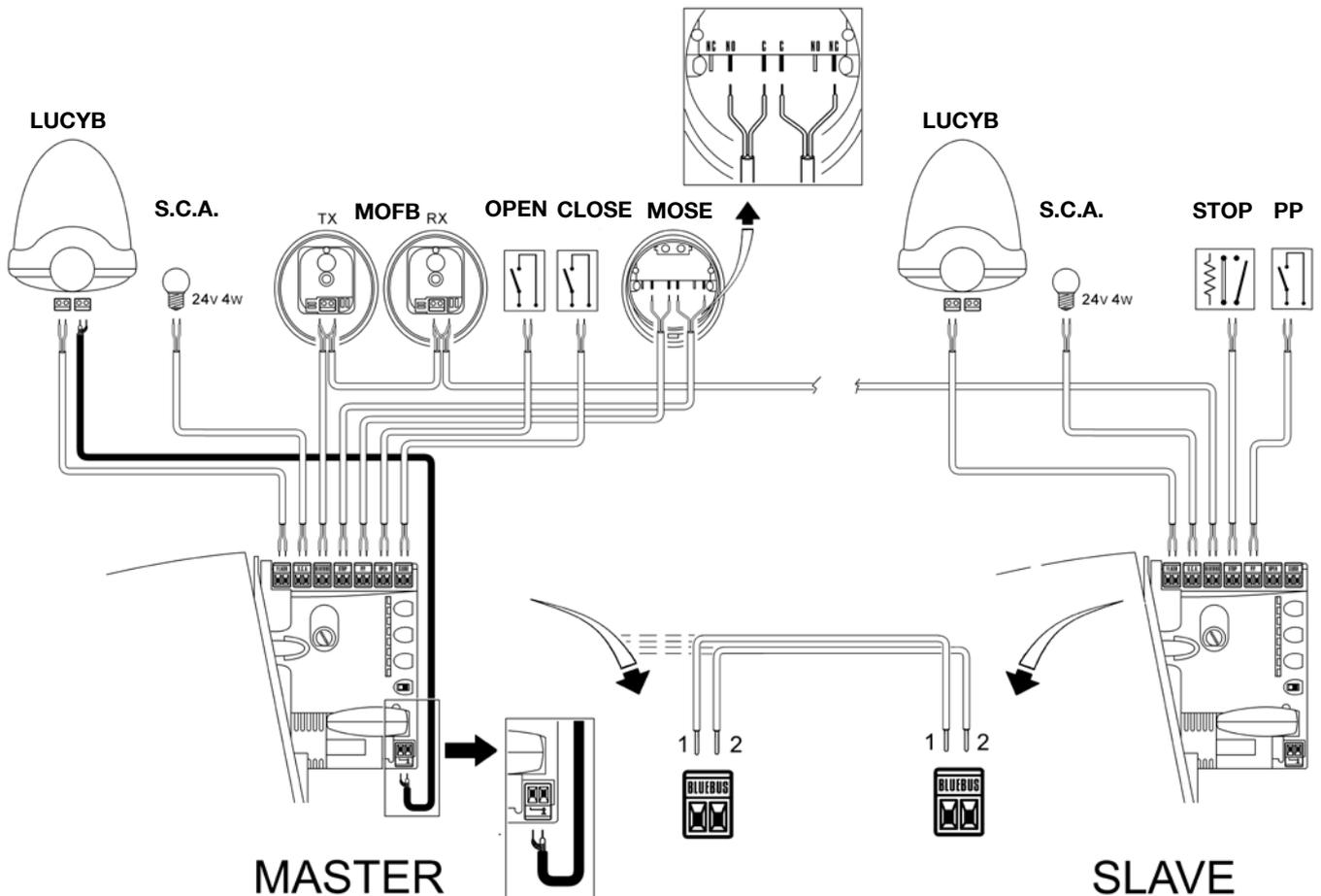
Para instalar 2 RUN en modo Máster y Slave ejecute las siguientes operaciones:

- Instale los 2 motores tal como muestra la figura 25. Es indiferente cuál motor funciona como Máster y cuál como Slave; en dicha decisión hay que evaluar la comodidad de las conexiones y el hecho de que el mando Paso a Paso en el Slave permite la apertura total solamente de la hoja Slave.



25

- Conecte los 2 motores como muestra la Figura 26
- Seleccione la dirección de la maniobra de apertura de los 2 motores tal como indicado en el párrafo "4.1 Selección de la dirección".
- Alimente los 2 motores.
- En el RUN Slave programe la función "Modo Slave" (véase tabla 7).
- Efectúe el reconocimiento de los dispositivos en el RUN Slave (véase el párrafo "4.3 Aprendizaje de los dispositivos").
- Efectúe el reconocimiento de los dispositivos en el RUN Máster (véase el párrafo "4.3 Aprendizaje de los dispositivos").
- Efectúe el reconocimiento de la longitud de las hojas en el RUN Máster (véase el párrafo "4.4 Aprendizaje de la longitud de la hoja").



26

En la conexión de 2 RUN en modo Máster-Slave observe que:

- Todos los dispositivos estén conectados en el RUN Máster (tal como en fig. 26) incluido el receptor radio
- Todas las programaciones en el RUN Slave se ignoran (prevalecen las del RUN Máster) excepto aquellas indicadas en la tabla 14.

Tabla 14: programaciones en el RUN Slave independientes del RUN Máster

Funciones de primer nivel (funciones ON-OFF)	Funciones de segundo nivel (parámetros regulables)
Stand-by	Sensibilidad detección obstáculos
Corriente inicial de arranque	Salida SCA
Modo Slave	Control par motor
	Listado de desperfectos

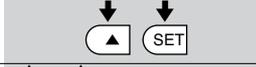
En el Slave es posible conectar:

- una luz intermitente (Flash)
- un Indicador luminoso de Puerta Abierta (S.C.A.)
- una banda sensible (Stop)
- un dispositivo de mando (P.P.) que acciona la apertura total sólo de la hoja Slave
- en el Slave las entradas Open y Close no se utilizan

7.3.6) Aprendizaje de otros dispositivos

Normalmente, la operación de aprendizaje de los dispositivos conectados al BlueBUS y a la entrada STOP se ejecuta durante la instalación; sin embargo, si se instalan o desinstalan dispositivos, es posible realizar nuevamente el aprendizaje como indicado en la tabla 15.

Tabla 15: para el aprendizaje de otros dispositivos

	Ejemplo
1. Pulse y mantenga pulsados los botones [▲] y [Set]	
2. Suelte los botones cuando los leds L1 y L2 empiezan a destellar muy rápidamente (después de unos 3s)	
3. Espere algunos segundos para que la central concluya el aprendizaje de los dispositivos.	
4. Al concluir el aprendizaje, los leds L1 y L2 dejarán de destellar, el led STOP debe quedar encendido, mientras que los leds L1...L8 se encenderán según el estado de las funciones ON-OFF que representan.	

⚠ Después de haber instalado o desinstalado los dispositivos es necesario realizar nuevamente el ensayo del automatismo, de acuerdo con las indicaciones del párrafo “5.1 Ensayo”.

7.4) Funciones especiales

7.4.1) Función “Abrir siempre”

La función “Abrir siempre” es una característica de la central de control que permite accionar siempre una maniobra de apertura cuando el mando de “Paso a Paso” dura más de 2 segundos; esto es útil por ejemplo para conectarle al borne P.P. el contacto de un reloj

programador para mantener abierta la puerta durante una cierta franja horaria. Dicha característica es válida con cualquier programación de la entrada de P.P., salvo en la programación como “Comunicario 2”, véase el parámetro “Función P.P.” en la tabla 9.

7.4.2) Función “Mover igualmente”

Aunque los dispositivos de seguridad no funcionen correctamente o debieran ponerse fuera de uso, es posible igualmente accionar o mover la puerta en modo “hombre muerto”.

Para mayores detalles, véase el párrafo “Accionamiento con dispositivos de seguridad fuera de uso” en el anexo “Instrucciones y advertencias para el usuario del motorreductor RUN”.

7.4.3) Sistema de control del calentamiento y refrigeración

RUN dispone de un sistema sofisticado de control de la temperatura del motor. El valor de la temperatura interior de RUN se mide con un sensor específico y se utiliza para la gestión del sistema de climatización, capaz de calentar el motor cuando la temperatura exterior

desciende por debajo del umbral de 0°C, (si la función de “Calentamiento” ha sido activada con la unidad de programación remota “OperaView”); o bien de acelerar la refrigeración del motor cuando la temperatura supera los 40°C.

7.4.4) Aviso de mantenimiento

El RUN permite avisar al usuario cuando conviene hacer un control de mantenimiento del automatismo. Pueden seleccionarse, entre 8 niveles diferentes, la cantidad de maniobras que deben ejecutarse antes de la señalización, mediante el parámetro ajustable “Aviso de mantenimiento” (véase tabla 9). El nivel 1 de regulación es “automático” y tiene en cuenta la dificultad de las maniobras, es decir el esfuerzo y la duración de la maniobra, mientras que las demás

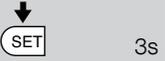
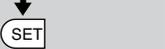
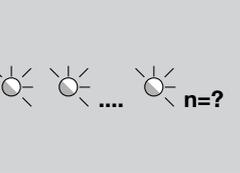
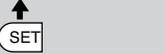
regulaciones están fijadas según la cantidad de las maniobras. La petición de mantenimiento se señala mediante la luz intermitente Flash o en la lámpara conectada en la salida S.C.A. cuando está programada como “Indicador de Mantenimiento” (véase tabla 9). Según el número de maniobras efectuadas respecto del límite programado, la luz intermitente Flash y el indicador luminoso de mantenimiento dan las señales indicadas en la tabla 16.

Tabla 16: aviso de mantenimiento con Flash e indicador luminoso mantenimiento

Cantidad de maniobras	Señal en Flash	Señal en indicador de mantenimiento
Inferior a 80% del límite	Normal (0.5s encendido, 0.5s apagado)	Encendida durante 2s al comenzar la apertura
Entre 81 y 100% del límite	Al comenzar la maniobra queda encendido durante 2s después prosigue normalmente	Destella durante toda la maniobra
Superior a 100% del límite	Al comenzar y al finalizar la maniobra queda encendido durante 2s después prosigue normalmente	Destella siempre.

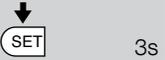
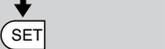
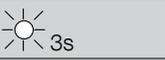
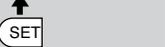
Control del número de maniobras efectuadas

Con la función de "Aviso de mantenimiento" es posible comprobar la cantidad de maniobras efectuadas en porcentaje sobre el límite configurado. Para verificar, proceda como indicado en la tabla 17.

Tabla 17: Control del número de maniobras efectuadas	Ejemplo
1. Pulse y mantenga pulsado el botón [Set] durante alrededor de 3s	
2. Suelte el botón [Set] cuando el led L1 empiece a destellar	
3. Pulse los botones [▲] o [▼] para desplazar el led intermitente al L7, es decir el "led de entrada" para el parámetro "Aviso de mantenimiento".	
4. Pulse y mantenga pulsado el botón [Set] , mantenga pulsado el botón [Set] durante los pasos 5, 6 y 7	
5. Espere alrededor de 3s, después se encenderá el led que representa el nivel actual del parámetro "Aviso de mantenimiento".	
6. Pulse y suelte de inmediato los botones [▲] y [▼] .	
7. El led correspondiente al nivel seleccionado destellará algunas veces. La cantidad de destellos identifica el porcentaje de maniobras efectuadas (en múltiplos de 10%) respecto del límite configurado. Por ejemplo: configurando el aviso de mantenimiento en L5, es decir 10000, el 10% corresponde a 1000 maniobras; si el led de visualización destella 4 veces significa que se ha alcanzado el 40% de las maniobras (es decir entre 4000 y 4999 maniobras). Si no se alcanzó el 10% de las maniobras, no destellará.	
8. Suelte el botón [Set]	

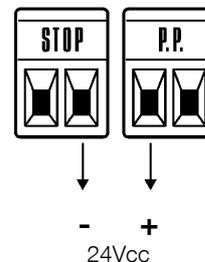
Puesta a cero del contador de maniobras

Después de hacer el mantenimiento de la instalación, hay que poner a cero el contador de las maniobras. Proceda como descrito en la tabla 18.

Tabella 18: azzeramento contatore manovre	Esempio
1. Pulse y mantenga pulsado el botón [Set] durante unos 3s	
2. Suelte el botón [Set] cuando el led L1 empiece a destellar	
3. Pulse los botones [▲] o [▼] para desplazar el led intermitente al L7, es decir el "led de entrada" para el parámetro "Aviso de mantenimiento".	
4. Pulse y mantenga pulsado el botón [Set] , mantenga pulsado el botón [Set] durante los pasos 5 y 6	
5. Espere alrededor de 3s, después se encenderá el led que representa el nivel actual del parámetro "Aviso de mantenimiento".	
6. Pulse y mantenga pulsados durante unos 5 segundos los botones [▲] y [▼] , después suelte los 2 botones. El led correspondiente al nivel seleccionado ejecutará una serie de destellos rápidos para señalar que el contador de las maniobras fue puesto a cero.	
7. Suelte el botón [Set]	

7.5) Conexión de otros dispositivos

Si hubiera que alimentar algún dispositivo exterior, por ejemplo un lector de proximidad para tarjetas por transponder o bien la luz de iluminación del selector de llave, es posible tomar la alimentación tal como indicado en la figura 27. La tensión de alimentación es 24Vcc -30% ÷ +50% con corriente máxima disponible de 100mA.



7.6) Solución de los problemas

En la tabla 19 se pueden encontrar indicaciones útiles para solucionar problemas de funcionamiento que podrían producirse durante la instalación o desperfectos del sistema.

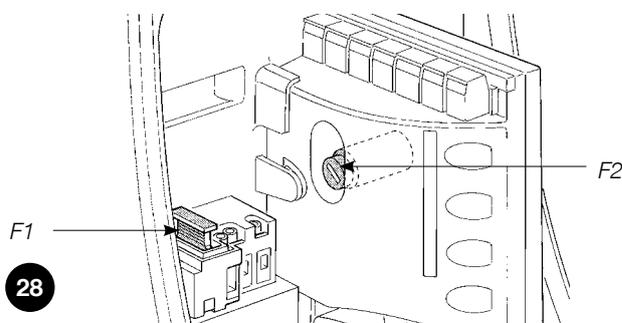


Tabla 19: búsqueda de las averías

Síntomas	Controles recomendados
El transmisor no acciona la puerta y el led del transmisor no se enciende	Controle que las pilas del transmisor no estén agotadas; de ser necesario, sustitúyalas.
El transmisor no acciona la puerta pero el led del transmisor se enciende	Controle que el transmisor esté memorizado correctamente en el receptor
No se acciona ninguna maniobra y el led "BlueBUS" no destella	Controle que el RUN esté alimentado con la tensión de red. Controle que los fusibles no se hayan quemado; si así fuera, controle la causa de la avería y sustitúyalos con otros con el mismo valor de corriente y características idénticas.
No se acciona ninguna maniobra y la luz intermitente está apagada	Controle que el mando llegue efectivamente. Si el mando llega a la entrada PP, el led "PP" debe encenderse; por el contrario, si se utiliza el transmisor, el led "BlueBus" debe emitir dos destellos rápidos.
No se acciona ninguna maniobra y la luz intermitente destella algunas veces.	Cuente la cantidad de destellos y controle según lo indicado en la tabla 21
La maniobra arranca pero inmediatamente después se produce la inversión.	La sensibilidad de detección de obstáculos seleccionada podría ser muy alta para el tipo de puerta. Controle que no haya obstáculos y, de ser necesario, seleccione una sensibilidad inferior.
La maniobra se ejecuta regularmente pero la luz intermitente no funciona.	Controle que durante la maniobra haya tensión en el borne FLASH de la luz intermitente (siendo intermitente, el valor de tensión no es significativo: alrededor de 10-30Vcc); si hubiera tensión, el problema es la bombilla que habrá que sustituir con una con las mismas características; si no hubiera tensión, se podría haber producido una sobrecarga en la salida FLASH, controle que no haya cortocircuitos en el cable.
La maniobra se ejecuta regularmente pero el indicador luminoso SCA no funciona.	Controle el tipo de función programada para la salida SCA (L4 en Tabla 9). Cuando el indicador luminoso se enciende, controle que haya tensión en el borne SCA (alrededor de 24Vcc); si hubiera tensión, el problema es el indicador luminoso que habrá que sustituir con uno con las mismas características; si no hubiera tensión, se podría haber producido una sobrecarga en la salida SCA, controle que no haya cortocircuitos en el cable.

7.6.1) Listado del historial de los desperfectos

El RUN permite visualizar los desperfectos que se hayan producido en las últimas 8 maniobras, por ejemplo la interrupción de una maniobra por la activación de una fotocélula o de una banda sensible. Para comprobar el listado de los desperfectos, proceda como indicado en la tabla 20.

Tabla 20: historial desperfectos

	Ejemplo
1. Pulse y mantenga pulsado el botón [Set] durante unos 3s	
2. Suelte el botón [Set] cuando el led L1 empiece a destellar	
3. Pulse los botones [▲] o [▼] para desplazar el led intermitente al L8, es decir el "led de entrada" para el parámetro "Listado desperfectos".	
4. Pulse y mantenga pulsado el botón [Set] , mantenga pulsado el botón [Set] durante los pasos 5 y 6	
5. Espere unos 3s, se encenderán los leds correspondientes a las maniobras que han tenido algún desperfecto. El led L1 indica el resultado de la maniobra más reciente, el led L8 indica el resultado de la octava maniobra. Si el led está encendido significa que, durante la maniobra, se han producido desperfectos; si el led está apagado significa que la maniobra se ha concluido sin problemas.	
6. Pulse los botones [▲] y [▼] para seleccionar la maniobra deseada: El led correspondiente destellará la misma cantidad de veces que la luz intermitente después de un desperfecto (véase la tabla 21).	
7. Suelte el botón [Set] .	

7.7) Diagnóstico y señales

Algunos dispositivos ofrecen directamente señales particulares a través de las cuales es posible reconocer el estado de funcionamiento o un posible desperfecto.

7.7.1) Señales con la luz intermitente

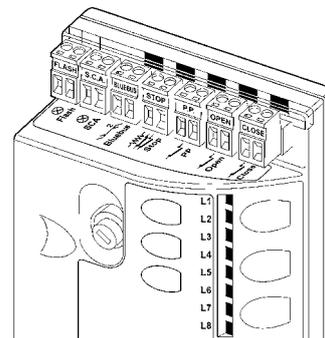
Durante la maniobra la luz intermitente FLASH destella una vez por segundo; cuando se produce algún desperfecto, los destellos son breves y se repiten dos veces, separados por una pausa de un segundo.

Tabla N° 21: señales en la luz intermitente FLASH

Destellos rápidos	Causa	ACCIÓN
1 destello pausa de 1 segundo 1 destello	Error en el BlueBUS	Al comienzo de la maniobra, el control de los dispositivos conectados a BlueBUS no corresponde a aquellos memorizados durante el aprendizaje. Es posible que haya dispositivos averiados; controle y sustituya; si se han efectuado modificaciones, hay que volver a repetir el aprendizaje (7.3.6 Aprendizaje de otros dispositivos).
2 destellos pausa de 1 segundo 2 destellos	Activación de una fotocélula	Durante el comienzo de la maniobra una o varias fotocélulas no dan el asenso para el movimiento; controle que no haya obstáculos. Durante el movimiento es normal si efectivamente hay un obstáculo.
3 destellos pausa de 1 segundo 3 destellos	Activación de la "Detección de obstáculos"	Durante el movimiento, la puerta encontró un punto de mayor fricción; controle el motivo.
4 destellos pausa de 1 segundo 4 destellos	Activación de la entrada de STOP	Durante el comienzo de la maniobra o durante el movimiento se ha activado la entrada STOP; controle el motivo.
5 destellos pausa de 1 segundo 5 destellos	Error en los parámetros internos de la central electrónica	Espere 30 segundos como mínimo y pruebe a accionar un mando; si el estado persiste, podría haber una avería grave y habrá que sustituir la tarjeta electrónica.
6 destellos pausa de 1 segundo 6 destellos	Se ha superado el límite máximo de maniobras por hora.	Espere algunos minutos para que el limitador de maniobras retorne por debajo del límite máximo.
7 destellos pausa de 1 segundo 7 destellos	Error en los circuitos eléctricos internos	Desconecte todos los circuitos de alimentación durante algunos segundos y pruebe a accionar un mando; si el estado persiste, podría haber una avería grave y habrá que sustituir la tarjeta electrónica.
8 destellos pausa de 1 segundo 8 destellos	Hay un mando accionado que no permite ejecutar otros mandos.	Controle el tipo de mando siempre activo; por ejemplo, podría ser el mando de un reloj en la entrada "abrir".

7.7.2) Señales en la central

En la central del RUN hay una serie de LEDs que pueden dar señales específicas, tanto durante el funcionamiento normal como en caso de desperfecto.



29

Tabla 22: leds en los bornes de la central

Led BLUEBUS	Causa	ACCIÓN
Apagado	Desperfecto	Controle si hay alimentación; controle que los fusibles no se hayan quemado; si así fuera, controle la causa de la avería y sustitúyalos con otros del mismo valor de corriente.
Encendido	Desperfecto grave	Hay un desperfecto grave; pruebe a apagar durante algunos segundos la central; si el estado continúa, significa que hay una avería y hay que sustituir la tarjeta electrónica.
Un destello por segundo	Todo OK	Funcionamiento normal de la central:
2 destellos rápidos	Se ha producido una variación del estado de las entradas	Es normal cuando se produce un cambio de una de las entradas: PP, STOP, OPEN, CLOSE, activación de las fotocélulas o si se utiliza el transmisor
Serie de destellos separados por una pausa de un segundo	Varias	Es la misma señal que emite la luz intermitente. Véase la tabla 21
Led STOP	Causa	ACCIÓN
Apagado	Activación de la entrada de STOP	Controle los dispositivos conectados a la entrada STOP
Encendido	Todo OK	Entrada STOP activa
Led P.P.	Causa	ACCIÓN
Apagado	Todo OK	Entrada PP desactivada
Encendido	Activación de la entrada de PP	Es normal si está activo efectivamente el dispositivo conectado a la entrada PP
Led ABRIR	Causa	ACCIÓN
Apagado	Todo OK	Entrada ABRIR desactivada
Encendido	Activación de la entrada OPEN	Es normal si está activo efectivamente el dispositivo conectado a la entrada ABRIR
Led CERRAR	Causa	ACCIÓN
Apagado	Todo OK	Entrada CERRAR desactivada
Encendido	Activación de la entrada de CERRADA	Es normal si está activo efectivamente el dispositivo conectado a la entrada CERRAR

Tabla 23: leds en los botones de la central

Led 1	Descripción
Apagado	Durante el funcionamiento normal indica "Cierre automático" desactivado
Encendido	Durante el funcionamiento normal indica "Cierre automático" activo
Destella	<ul style="list-style-type: none"> • Programación de las funciones ejecutándose • Si destella junto con L2 indica que es necesario ejecutar el aprendizaje de los dispositivos (véase el párrafo "4.3 Aprendizaje de los dispositivos").
Led L2	Descripción
Apagado	Durante el funcionamiento normal indica "Cerrar después Fotocélula" desactivado.
Encendido	Durante el funcionamiento normal indica "Cerrar después Fotocélula" activo.
Destella	<ul style="list-style-type: none"> • Programación de las funciones ejecutándose • Si destella junto con L1 indica que es necesario ejecutar el aprendizaje de los dispositivos (véase el párrafo "4.3 Aprendizaje de los dispositivos").
Led L3	Descripción
Apagado	Durante el funcionamiento normal indica "Cerrar Siempre" desactivado
Encendido	Durante el funcionamiento normal indica "Cerrar Siempre" activo
Destella	<ul style="list-style-type: none"> • Programación de las funciones ejecutándose. • Si destella junto con L4 indica que es necesario ejecutar el aprendizaje de la longitud de la hoja (véase el párrafo "4.4 Aprendizaje de la longitud de la hoja").
Led L4	Descripción
Apagado	Durante el funcionamiento normal indica "Stand-by" desactivado
Encendido	Durante el funcionamiento normal indica "Stand-By" activo.
Destella	<ul style="list-style-type: none"> • Programación de las funciones ejecutándose. • Si destella junto con L3 indica que es necesario ejecutar el aprendizaje de la longitud de la hoja (véase el párrafo "4.4 Aprendizaje de la longitud de la hoja").
Led L5	Descripción
Apagado	Durante el funcionamiento normal indica "Punto de arranque" desactivado.
Encendido	Durante el funcionamiento normal indica "Punto de arranque" activo.
Destella	Programación de las funciones ejecutándose
Led L6	Descripción
Apagado	Durante el funcionamiento normal indica "Destello previo" desactivado.
Encendido	Durante el funcionamiento normal indica "Destello previo" activo.
Destella	Programación de las funciones ejecutándose
Led L7	Descripción
Apagado	Durante el funcionamiento normal indica que la entrada CERRAR activa una maniobra de cierre
Encendido	Durante el funcionamiento normal indica que la entrada CERRAR activa una maniobra de apertura parcial.
Destella	Programación de las funciones ejecutándose
Led L8	Descripción
Apagado	Durante el funcionamiento normal indica que el RUN está configurado como Máster.
Encendido	Durante el funcionamiento normal indica que el RUN está configurado como Slave.
Destella	Programación de las funciones ejecutándose

7.8) Accesorios

Para RUN hay previstos los siguientes accesorios opcionales:

- SMXI o SMXIS Receptor a 433.92MHz con codificación digital Rolling Code.
- ONEXI: Receptor a 433.92MHz con codificación digital Rolling Code;

dotado de Modo III para enviar 15 tipos de mandos a la central

- OperaView; Unidad de Programación remota

Consulte el catálogo de los productos de Nice S.p.a. para la lista completa y actualizada de los accesorios.

7.8.1) Unidad de Programación remota

En el conector específico BusT4 (véase figura 30) es posible conectar la unidad de programación remota Oview que permite una rápida y completa gestión de la instalación, del mantenimiento y del diagnóstico de posibles desperfectos.

Para acceder al conector es necesario quitar la membrana tal como indicado en la figura 31.

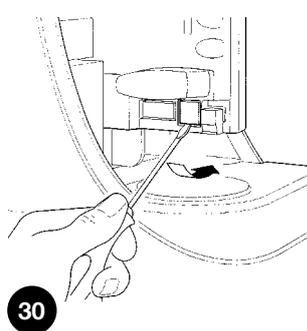
La unidad de programación remota puede ser situada a distancia de la central, hasta 100 m de cable; puede ser conectada simultáneamente a varias centrales, hasta 16, y también puede quedar conectada durante el funcionamiento normal de RUN; en tal caso, un menú "usuario" específico permite enviar los mandos a la central. Si en la central hay incorporado un receptor tipo OXI o OXIT, mediante la unidad de programación remota es posible acceder a los parámetros de los transmisores memorizados.

Para estas funciones es necesario un cable de conexión de 4 conductores (BusT4).

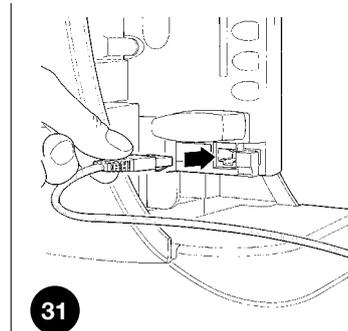
También es posible actualizar el firmware de la central del RUN.

Más informaciones están disponibles en el manual de instrucciones del programador Oview.

IMPORTANTE – Para más detalles sobre todas las funciones del sistema NiceOpera sobre la interdependencia que asocia a los dispositivos del sistema, consulte el manual general "NiceOpera System Book", también disponible en la página web www.niceforyou.com



30



31

8) Características técnicas

Nice S.p.a., a fin de mejorar sus productos, se reserva el derecho de modificar las características técnicas en cualquier momento y sin previo aviso, garantizando la funcionalidad y el uso previstos.

Todas las características técnicas indicadas se refieren a una temperatura ambiente de 20°C (±5°C).

Características técnicas RUN		
Modelo tipo	RUN 1800 - RUN 1800P - RUN 1800/V1	RUN 2500 - RUN 2500P
Tipo	Motorreductor electromecánico para el movimiento automático de puertas de correderas para uso industrial con central electrónica de control.	
Piñón	Número de dientes 18; Módulo 4 *	
Par máximo de arranque [correspondiente a la capacidad de desarrollar una fuerza para poner en movimiento la puerta]	40Nm (1110N)	50Nm (1390N)
Par nominal [correspondiente a la capacidad de desarrollar una fuerza para mantener en movimiento la puerta]	20Nm (560N)	30Nm (830N)
Velocidad (en vacío)	10m/min (12m/min versione /V1)	
Velocidad (al par nominal)	8.5m/min (8.9m/min versione /V1)	
Frecuencia máxima de los ciclos de funcionamiento (al par nominal)	11 ciclos/hora (264 ciclos/día), para una cancela de 15m (equivalente a un ciclo del 63%), (la central limita los ciclos al máximo previsto en las tablas 2 y 3)**	15 ciclos/hora (365 ciclos/día), para una cancela de 15m (equivalente a un ciclo del 63%), (la central limita los ciclos al máximo previsto en las tablas 2 y 3)**
Tiempo máximo de funcionamiento continuo (con el par nominal)	40 minutos (la central limita el funcionamiento continuo al máximo previsto en las tablas 2 y 3)***	60 minutos (la central limita el funcionamiento continuo al máximo previsto en las tablas 2 y 3)***
Límites de utilización	Generalmente, el RUN puede automatizar puertas del peso o de la longitud indicados en las tablas 2, 3 y 4	
Duración	Estimada entre 150.000 ciclos y 450.000 ciclos, según las condiciones mencionadas en la tabla 4	
Alimentación RUN 1800 - 2500	230Vac (+10% -15%) 50 Hz	
Alimentación RUN 1800/V1-2500/V1	120Vac (+10% -15%) 60 Hz	
Potencia máxima absorbida en el punto de arranque [correspondientes a Amperios]	700 W [3 A] [5 A versión /V1]	870 W [3.8 A]
Potencia al par nominal [correspondientes a Amperios]	400 W [1.8 A] [3 A versión /V1]	600 W [2.7 A]
Clase de aislamiento	1 (es necesaria la puesta a tierra de seguridad)	
Salida luz intermitente	Para 2 luces intermitente LUCYB (bombilla 12V, 21W)	
Salida S.C.A	para 1 lámpara 24V máximo 4W (la tensión de salida puede variar entre -30 y +50% y puede accionar también pequeños relés)	
Salida BLUEBUS	Una salida con una carga máxima de 15 unidades BlueBus	
Entrada STOP	Para contactos normalmente cerrados, normalmente abiertos o para resistencia constante 8,2kΩ; en autoaprendizaje (una variación respecto del estado memorizado provoca el mando "STOP")	
Entrada PP	Para contactos normalmente abiertos (el cierre del contacto provoca el mando PP)	
Entrada ABRIR	Para contactos normalmente abiertos (el cierre del contacto provoca el mando "ABRIR")	
Entrada CERRAR	Para contactos normalmente abiertos (el cierre del contacto provoca el mando "CERRAR")	
Conexión radio	Conector SM para receptores SMXI; SMXIS u ONEXI	
Entrada ANTENA radio	Entrada ANTENA radio 52 ohm para cable tipo RG58 o similar	
Funciones programables	8 funciones tipo ON-OFF y 8 funciones regulables (véanse las tablas 7 y 9)	
Funciones en autoaprendizaje	Autoaprendizaje de los dispositivos conectados en la salida BlueBus Autoaprendizaje del tipo de dispositivo de "STOP" (contacto NA, NC o resistencia 8,2kΩ) Autoaprendizaje de la longitud de la puerta y cálculo de los puntos de deceleración y apertura parcial.	
Temperatura de funcionamiento	-20°C ÷ 50°C	
Utilización en atmósfera muy ácida o salobre o con riesgo de explosión	No	
Clase de protección	IP 44	
Medidas y peso	400 x 255 h 390; 24.5 kg	

* Disponible piñón opcional de 12 dientes módulo 6

** A 50°C y con una cancela de 15 metros la frecuencia máxima de funcionamiento es de 7 ciclos/hora (equivalentes a un ciclo del 40%).

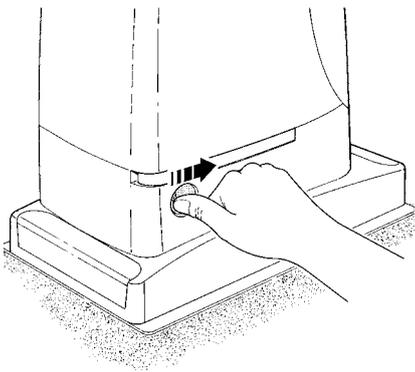
*** A 50°C el tiempo máximo de funcionamiento continuo es de 10 minutos.

Instrucciones y advertencias para el usuario del motorreductor RUN

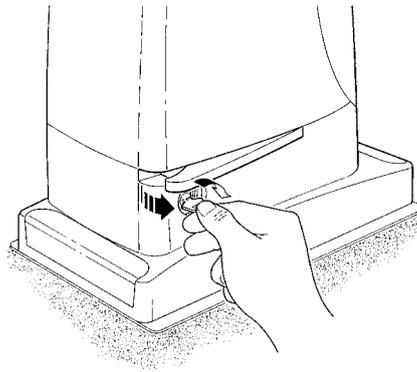
- **Antes de usar por primera vez el automatismo:** pida a su instalador que le explique el origen de los riesgos residuales y lea este **manual de instrucciones y advertencias** para el usuario entregado por el instalador. Conserve el manual por cualquier problema que pueda surgir y recuerde entregarlo a un posible nuevo dueño del automatismo.
 - **El automatismo es una máquina que ejecuta fielmente los mandos dados:** un uso inconsciente o inadecuado puede ser peligroso. Por consiguiente, no accione el automatismo cuando en su radio de acción haya personas, animales o cosas.
 - **Niños:** una instalación de automatización garantiza un elevado grado de seguridad, impidiendo, gracias a sus sistemas de detección, que se mueva ante la presencia de personas o cosas y garantizando una activación previsible y segura. Procure que los niños no jueguen cerca del automatismo y mantenga los controles remotos lejos de su alcance: ¡no son un juguete!
 - **Desperfectos:** si bien note que la automatización no funciona correctamente, corte la alimentación eléctrica de la instalación y realice el desbloqueo manual. No realice ninguna reparación y llame a su instalador de confianza: una vez desbloqueado el motorreductor, la instalación podrá funcionar manualmente como un cerramiento no automatizado.
 - **Mantenimiento:** para garantizar una larga vida útil y para un funcionamiento seguro, la instalación, al igual que cualquier otra maquinaria, requiere un mantenimiento periódico. Establezca con su instalador un plan de mantenimiento con frecuencia periódica. Nice aconseja realizar un mantenimiento cada 6 meses para un uso residencial normal, que puede variar según la intensidad de uso. Cualquier tipo de control, mantenimiento o reparación debe ser realizado sólo por personal cualificado.
 - Aunque piense que lo sabe hacer, no modifique la instalación ni los parámetros de programación y regulación del automatismo: la responsabilidad es de su instalador.
 - El ensayo final, los trabajos de mantenimiento periódico y las posibles reparaciones deben ser documentados por quien los efectúa y los documentos tienen que ser conservados por el dueño de la instalación.
- Las únicas operaciones** que pueden hacerse y que le aconsejamos efectuar periódicamente son la limpieza de los vidrios de las fotocélulas y la eliminación de hojas o piedras que podrían obstaculizar el automatismo. Para que nadie pueda accionar la puerta, antes de proceder recuerde **desbloquear el automatismo** (como descrito más adelante) y utilice para la limpieza únicamente un paño ligeramente humedecido con agua.
- **Desguace:** al final de la vida útil del automatismo, el desguace debe ser realizado por personal cualificado y los materiales deben ser reciclados o eliminados según las normas locales vigentes.
 - **En el caso de roturas o falta de alimentación:** esperando la intervención de su instalador, o la llegada de la energía eléctrica si la instalación no está dotada de baterías compensadoras, la automatización puede accionarse igual que cualquier cerramiento no automatizado. A tal fin es necesario realizar el desbloqueo manual (única operación que el usuario puede realizar): dicha operación ha sido estudiada por Nice para facilitarle su empleo, sin necesidad de utilizar herramientas ni hacer esfuerzos físicos.

Desbloqueo y movimiento manual: antes de ejecutar esta operación **tenga cuidado** de que el desbloqueo puede efectuarse sólo cuando la hoja está detenida.

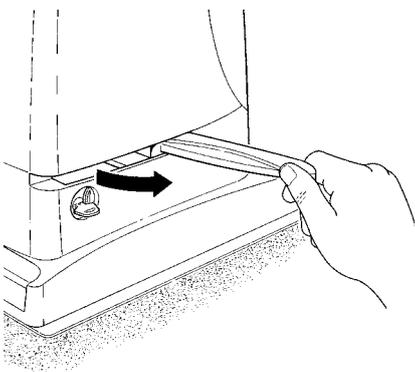
1 Desplace el disco cubrecerradura.



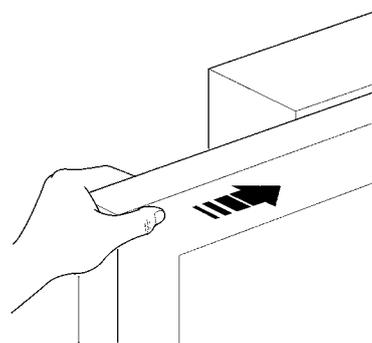
2 Introduzca y gire la llave hacia la derecha.



3 Tire la manilla de desbloqueo.



4 Mueva manualmente la hoja.



Para bloquear: efectúe las mismas operaciones en el orden inverso

Mando con dispositivos de seguridad fuera de uso: si los dispositivos de seguridad montados en la puerta no funcionaran correctamente, es igualmente posible accionar la puerta.

- Accione el mando de la puerta (con el telecomando, con el selector de llave, etc.); si todo es correcto, la puerta se abrirá o cerrará normalmente, en caso contrario, la luz intermitente destellará algunas veces y la maniobra no arrancará (la cantidad de destellos depende de la razón que impide que arranque la maniobra).
- En este caso, dentro de tres segundos, **accione** nuevamente el mando y **manténgalo accionado**.
- Transcurridos alrededor de 2s, empezará el movimiento de la puerta en modo "hombre muerto", es decir mientras se mantenga presionado el mando, la puerta seguirá moviéndose; ni bien se suelte el mando, la puerta se detendrá.

⚠ Con los dispositivos de seguridad fuera de uso es necesario hacer reparar lo antes posible el automatismo.

Sustitución de la pila del telecomando: si el radiomando después de transcurrido un cierto período no funciona correctamente o deja de funcionar, podría ser que la pila esté agotada (puede durar desde varios meses a más de un año según el uso). Ud. se podrá dar cuenta de este inconveniente por el hecho de que la luz del indicador de confirmación de la transmisión no se enciende, es débil, o bien se enciende sólo durante un breve instante. Antes de llamar al instalador, pruebe a sustituir la pila con una de otro transmisor que funcione correctamente: si el problema fuera este, sustituya la pila con otra del mismo tipo.

Las pilas contienen sustancias contaminantes: no las arroje en los residuos normales sino que elimínelas de acuerdo con las leyes locales.

¿Está Ud. satisfecho? Si Ud. deseara montar en su casa un nuevo automatismo, contacte al mismo instalador y a Nice, así podrá contar con la garantía del asesoramiento de un experto y los productos más modernos del mercado, el mejor funcionamiento y la máxima compatibilidad de las automatizaciones. Le agradecemos por haber leído estas recomendaciones y esperamos que esté satisfecho de su nueva instalación: ante cualquier exigencia, contacte con confianza a su instalador.

Declaración de conformidad CE y declaración de incorporación de una "cuasi máquina"

Declaración de conformidad con las Directivas: 2004/108/CE (EMC); 2006/42/CE (MD) anexo II, parte B

Nota - El contenido de esta declaración corresponde a lo declarado en el documento oficial depositado en la sede de Nice S.p.a. y, en particular, a su última revisión disponible antes de la impresión de este manual. El texto ha sido readaptado por motivos de impresión. No obstante, se puede solicitar una copia de la declaración original a Nice S.p.a. (TV) I.

Numero: 238/RUN

Revisión: 5

Idioma: ES

Nombre del fabricante:

NICE S.p.A.

Dirección:

Via Pezza Alta n.° 13, 31046 Rustignè di Oderzo (TV), Italia

Persona autorizada para elaborar la documentación técnica:

NICE S.p.A.

Tipo de producto:

Motorreductor electromecánico con central incorporada

Modelo:

RUN1800, RUN2500, RUN1800P, RUN2500P

Accesorios:

Receptores radio mod. SMXI, SMXIS y ONEXI

El que suscribe, Mauro Sordini, en su carácter de Chief Executive Officer, declara bajo su responsabilidad que el producto antedicho es conforme a las disposiciones de las siguientes directivas:

- DIRECTIVA 2004/108/CE DEL PARLAMENTO EUROPEO Y DEL CONSEJO del 15 diciembre de 2004 relativa a la asimilación de las leyes de los Estados miembros sobre la compatibilidad electromagnética y que revoca la directiva 89/336/CEE, según las siguientes normas armonizadas: EN 61000-6-2:2005, EN 61000-6-3:2007+A1:2011

Asimismo, el producto cumple con la siguiente directiva de conformidad con los requisitos previstos para las "cuasi máquinas":

Directiva 2006/42/CE DEL PARLAMENTO EUROPEO Y DEL CONSEJO del 17 de mayo de 2006 relativa a las máquinas y por la que se modifica la Directiva 95/16/CE (refundición)

- Se declara que la documentación técnica correspondiente se ha elaborado de conformidad con el anexo VII B de la Directiva 2006/42/CE y que se han respetado los siguientes requisitos fundamentales: 1.1- 1.1.2- 1.1.3- 1.2.1-1.2.6- 1.5.1-1.5.2- 1.5.5- 1.5.6- 1.5.7- 1.5.8- 1.5.10- 1.5.11
- El fabricante se compromete a remitir a las autoridades nacionales, previa solicitud justificada, la información pertinente acerca de la "cuasi máquina", sin perjudicar en ningún momento los propios derechos de propiedad intelectual.
- Si la "cuasi máquina" se pone en servicio en un país europeo cuyo idioma oficial no es el de esta declaración, el importador tendrá la obligación de adjuntar la traducción correspondiente.
- Se advierte que la "cuasi máquina" no deberá ponerse en servicio hasta que la máquina que la contenga no sea declarada conforme en virtud de la directiva 2006/42/CE, si procede.

El producto cumple con las siguientes normas:

EN 60335-1:2012 EN 60335-2-103:2003+A11:2009

El producto, con limitación a las partes aplicables, también cumple con las siguientes normas:

EN 13241-1:2003+A1:2011, EN 12445:2002, EN 12453:2002, EN 12978:2003+A1:2009

Oderzo, martes, 01 de julio de 2014

Ing. Mauro Sordini
(Chief Executive Officer)



Spis treści:

str.

1	Ostrzeżenia	29	7.2.2	Programowanie pierwszego poziomu (funkcje ON-OFF)	40
2	Opis produktu i jego przeznaczenie	30	7.2.3	Funkcje drugiego poziomu (parametry regulowane)	40
2.1	Ograniczenia w użytkowaniu	30	7.2.4	Programowanie drugiego poziomu (parametry regulowane)	41
2.2	Typowa instalacja	32	7.2.5	Przykład programowania pierwszego poziomu (funkcje ON-OFF)	42
2.3	Wykaz przewodów	32	7.2.6	Przykład programowania drugiego poziomu (parametry regulowane)	42
3	Montaż	33	7.3	Dodawanie lub usuwanie urządzeń	42
3.1	Kontrole wstępne	33	7.3.1	BlueBUS	42
3.2	Mocowanie siłownika	33	7.3.2	Wejście STOP	43
3.3	Mocowanie zderzaków wyłącznika krańcowego w wersjach z wyłącznikiem indukcyjnym	34	7.3.3	Fotokomórki	43
3.4	Montaż innych urządzeń	35	7.3.4	Fotokomórka FT210B	43
3.5	Połączenia elektryczne	35	7.3.5	RUN w trybie „Slave”	44
3.6	Opis połączeń elektrycznych	36	7.3.6	Wczytywanie innych urządzeń	45
4	Końcowa kontrola oraz uruchomienie	36	7.4	Funkcje specjalne	45
4.1	Wybór kierunku	36	7.4.1	Funkcja „Otwiera zawsze”	45
4.2	Podłączenie zasilania	36	7.4.2	Funkcja „Otwórz awaryjnie”	45
4.3	Wczytywanie urządzeń	36	7.4.3	System kontroli ogrzewania i chłodzenia	45
4.4	Wczytywanie długości skrzydła	37	7.4.4	Wezwanie do konserwacji	45
4.5	Kontrola ruchu bramy	37	7.5	Podłączenie innych urządzeń	46
4.6	Funkcje ustawione fabrycznie	37	7.6	Rozwiązywanie problemów	47
4.7	Odbiornik radiowy	37	7.6.1	Historia anomalii	47
5	Odbiór i przekazanie do eksploatacji	37	7.7	Diagnostyka i sygnalizacja	47
5.1	Próba odbiorcza	38	7.7.1	Sygnalizacja za pomocą lampy ostrzegawczej	48
5.2	Przekazanie do eksploatacji	38	7.7.2	Sygnalizacja na centrali	48
6	Konserwacja i utylizacja	38	7.8	Urządzenia dodatkowe	49
6.1	Konserwacja	38	7.8.1	Jednostka do zdalnego programowania	49
6.2	Utylizacja	38	8	Parametry techniczne	50
7	Informacje szczegółowe	39		Instrukcje i ostrzeżenia skierowane do użytkownika siłownika	
7.1	Przyciski do programowania	39		RUN	51
7.2	Programowanie	39		Deklaracja zgodności CE	53
7.2.1	Funkcje pierwszego poziomu (funkcje ON-OFF)	39			

1) Ostrzeżenia

Niniejsza instrukcja zawiera ważne informacje, dotyczące bezpieczeństwa podczas montażu, należy się z nią zapoznać przed rozpoczęciem prac montażowych. Należy przechowywać niniejszą instrukcję w celu ewentualnej, przyszłej konsultacji.

Biorąc pod uwagę niebezpieczeństwa, jakie mogą wystąpić podczas montażu i użytkowania siłownika RUN, dla zwiększenia bezpieczeństwa, montaż musi być wykonany zgodnie z przepisami, normami i uregulowaniami prawnymi. W niniejszym rozdziale zostały zamieszczone wszystkie ostrzeżenia ogólne a inne, ważne ostrzeżenia znajdują się w rozdziałach „3.1 Kontrole wstępne” i „5 Odbiór i przekazanie do eksploatacji”.

▲ Według obowiązujących przepisów europejskich, automatyzacja drzwi lub bramy musi być zgodna z Dyrektywą 98/37/WE (Dyrektywa Maszynowa), a w szczególności musi odpowiadać normom: EN 13241-1 (norma zharmonizowana); EN 12445; EN 12453 oraz EN 12635, które umożliwiają zadeklarowanie zgodności z dyrektywą maszynową.

Dodatkowe informacje, wytyczne do analiz zagrożeń i opracowanie Dokumentacji Technicznej, są dostępne na stronie: www.niceforyou.com. Niniejsza instrukcja jest przeznaczona wyłącznie dla personelu technicznego posiadającego kwalifikacje w zakresie czynności montażowych. Oprócz specjalnego załącznika, „Instrukcje i ostrzeżenia dla użytkownika siłownika RUN”, który powinien oderwać instalator, żadna inna informacja zawarta w niniejszej instrukcji nie jest przeznaczona dla ostatecznego użytkownika!

- Użycie siłownika RUN do celów innych od przewidzianych w niniejszej instrukcji jest zabronione; użycie niezgodne z przeznaczeniem może spowodować zagrożenie i wyrządzić szkody osobom oraz przedmiotom.
- Przed rozpoczęciem montażu należy wykonać analizę zagrożeń wraz z wykazem podstawowych warunków bezpieczeństwa, przewidzianych w załączniku I Dyrektywy Maszynowej, wskazując odpowiednie zastosowane rozwiązania. Należy pamiętać, że analiza ryzyka jest jednym z dokumentów wchodzących w skład Dokumentacji Technicznej automatyki.
- Sprawdzić, czy, w zależności od specyficznej sytuacji zastosowania i występujących zagrożeń, do skompletowania automatyki z siłownikiem RUN są konieczne inne urządzenia; należy wziąć pod uwagę, na przykład, niebezpieczeństwo uderzenia, zgniecenia, obciążenia, wciągnięcia, itp. oraz inne zagrożenia, jakie mogą wystąpić.
- Nie wykonywać żadnych zmian i modyfikacji, jeśli nie są one przewidziane w niniejszej instrukcji; operacje tego rodzaju mogą jedynie spowodować niewłaściwe działanie; NICE nie bierze odpowiedzialności za szkody spowodowane przez zmodyfikowany produkt.
- Podczas montażu i użytkowania należy uważać, aby do wnętrza otwartej centrali i innych urządzeń nie dostały się elementy stałe lub płyny; w razie konieczności, należy się zwrócić do serwisu technicznego NICE; użytkowanie siłownika RUN w takich sytuacjach może spowodować niebezpieczeństwo.
- Nie używać automatyki przed przekazaniem jej do eksploatacji zgodnie z zaleceniami zamieszczonymi w rozdziale: „5 Odbiór i przekazanie do eksploatacji”.
- Materiał opakowaniowy siłownika RUN musi być utylizowany zgodnie z odpowiednimi miejscowymi przepisami.
- Gdy naprawa przeprowadzona według wskazówek zamieszczonych w niniejszej instrukcji nie da oczekiwanego efektu, należy się skontaktować z serwisem pomocy technicznej firmy NICE.
- Po zadziałaniu wyłączników automatycznych lub bezpieczników i przed ich przywróceniem do pierwotnej pozycji, należy określić i wyeliminować usterkę.
- Przed otwarciem pokrywy osłaniającej zaciski siłownika RUN, należy odłączyć wszystkie obwody zasilające; jeśli urządzenie wyłączające jest niewidoczne z miejsca pracy, należy zawiesić tabliczkę: „UWAGA! PRACE KONSERWACYJNE W TOKU”.

Szczegółowe ostrzeżenia na temat zgodności użytkownika niniejszego produktu w odniesieniu do Dyrektywy Maszynowej 98/37/WE (dawna 89/392/EWG):

- Niniejszy produkt wprowadzony zostaje na rynek jako „element składowy maszyny”, co oznacza, że został skonstruowany w celu wbudowania go w inne urządzenie lub połączenia z innymi urządzeniami, tak aby utworzyć „maszynę” w rozumieniu dyrektywy 98/37/WE jedynie w połączeniu z innymi komponentami oraz w sposób taki, jak to opisano w niniejszej instrukcji użytkownika. Zgodnie z postanowieniami dyrektywy 98/37/WE przypominamy: przekazanie do eksploatacji powyższego produktu nie jest dozwolone, dopóki producent maszyny zawierającej niniejsze urządzenie nie sprawdzi jej i nie zadeklaruje jako zgodnej z dyrektywą 98/37/WE.

Ostrzeżenia specjalne dotyczące przydatności do użytku niniejszego produktu zgodnie z Dyrektywą „Niskonapięciową” 73/23/EWG wraz z późniejszymi zmianami 93/68/EWG:

- Niniejszy produkt spełnia wymagania Dyrektywy „niskonapięciowej”, jeśli jest wykorzystywany do użytku i w konfiguracjach przewidzianych w niniejszej instrukcji oraz w połączeniu z artykułami z katalogu produktów firmy Nice S.p.a. Spełnienie wymagań może nie być zagwarantowane, jeśli produkt jest używany w nieprzewidzianych konfiguracjach lub z nieprzewidzianymi, innymi produktami; takim przypadkiem, zabrania się korzystania z produktu, aż do momentu, gdy instalator sprawdzi zgodność z wymaganiami nakładanymi przez dyrektywę.

Ostrzeżenia specjalne dotyczące przydatności do użytku niniejszego produktu zgodnie z dyrektywą „Kompatybilność elektromagnetyczna” 89/336/EWG wraz z późniejszymi zmianami 92/31/EWG i 93/68/EWG:

- Niniejszy wyrób został poddany próbom związanym z kompatybilnością elektromagnetyczną w najbardziej krytycznych warunkach użytkowania, w konfiguracjach przewidzianych w niniejszej instrukcji oraz w połączeniu z artykułami z katalogu produktów firmy Nice S.p.a. Kompatybilność elektromagnetyczna może nie być zagwarantowana, jeśli produkt jest używany w nieprzewidzianych konfiguracjach lub z nieprzewidzianymi, innymi produktami; takim przypadkiem zabrania się korzystania z produktu, aż do momentu, gdy instalator sprawdzi jego zgodność z wymaganiami stawianymi przez dyrektywę.

2) Opis produktu i jego przeznaczenie

RUN to linia siłowników elektromechanicznych samohamownych, przeznaczonych do napędu bram przesuwnych. Posiadają one elektroniczną centralą sterującą i złącze typu „SM” dla odbiornika sygnału radiowego (opcjonalnie). Wykonanie połączeń elektrycznych do urządzeń zewnętrznych jest uproszczone poprzez zastosowanie techniki „BlueBus”, służącej do podłączenia kilku urządzeń za pomocą tylko 2 przewodów. Listę urządzeń elektrycznych, które można przyłączyć do BlueBUS sterownika Run, zamieszczono w rozdziale 7.3.1 „BlueBUS”; zaktualizowaną listę, wraz z informacjami na temat kompa-

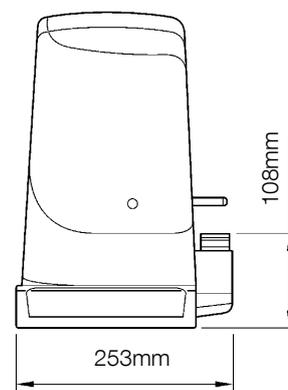
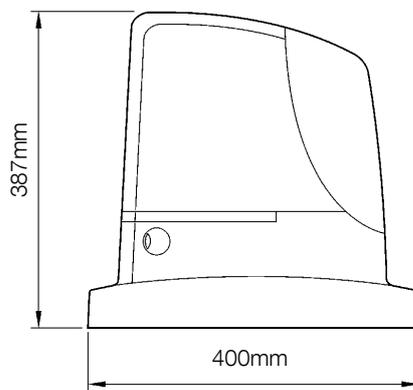
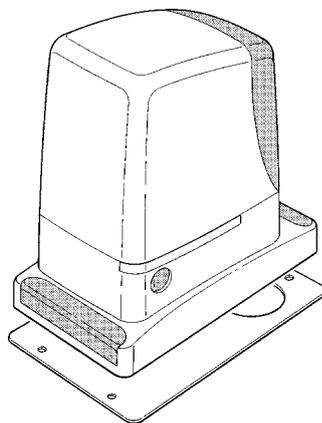
tybilności, znaleźć można również na stronie www.niceforyou.com. RUN jest również wyposażony w złącze do jednostki do zdalnego programowania, które umożliwia pełne i szybkie zarządzanie montażem, konserwacją oraz diagnostyką ewentualnych usterek; patrz również 7.8.1 „Jednostka do zdalnego programowania”. Siłowniki RUN działają za pomocą energii elektrycznej, w przypadku braku zasilania z sieci elektrycznej siłownik można odblokować za pomocą odpowiedniego klucza, a bramę można przesunąć ręcznie.

Do linii RUN należą produkty, których główne cechy opisane zostały w tabeli 1.

Tabela 1: porównanie najważniejszych cech siłowników RUN

Siłownik typu	RUN1800	RUN1800P	RUN2500	RUN2500P
Typ wyłącznika krańcowego	elektromechaniczny	zblizeniowy indukcyjny	elektromechaniczny	zblizeniowy indukcyjny
Maksymalna długość skrzydła	15m		18m	
Maksymalna masa skrzydła	1800 kg		2500 kg	
Maksymalny moment startowy (odpowiadający sile)	40Nm (1110N)		50Nm (1390N)	
Silnik	Asynchroniczny jednofazowy 700W max.		Asynchroniczny jednofazowy 870W max.	

Uwaga: 1kg = 9,81N czyli, na przykład: 1390N = 142kg



1

2.1) Ograniczenia w użytkowaniu

Dane dotyczące wydajności produktów linii RUN, są zamieszczone w rozdziale „8 Parametry techniczne” i są one jedynymi wartościami umożliwiającymi właściwą ocenę odpowiedniości użycia. Parametry konstrukcyjne siłownika RUN sprawiają, że ma on zastosowanie do skrzydeł przesuwnych, zgodnie z ograniczeniami podanymi w tabelach 2, 3 i 4.

Rzeczywista przydatność siłownika RUN do zautomatyzowania określonej bramy przesuwnej zależy od tarcia i innych czynników, także tymczasowych, jak jak obecność lodu, który mógłby przeszkodzić w ruchu skrzydła.

W celu dokonania rzeczywistej oceny, należy dokonać pomiaru siły niezbędnej do poruszenia skrzydła na całym jego biegu i upewnić się, że nie przekroczy ono połowy wartości „momentu nominalnego” określonego w rozdziale „8 Parametry techniczne” (zalecany jest margines 50%, gdyż warunki klimatyczne mogą doprowadzić do zwiększenia tarcia); ponadto, w celu ustalenia liczby cykli na godzinę, kolejnych cykli należy się zapoznać z tabelą 2 i 3.

Tabela 2: ograniczenia wynikające z długości skrzydła

Długość skrzydła (m)	RUN1800/ RUN1800P		RUN2500/ RUN2500P	
	maksymalna liczba cykli/godzinę	maksymalna liczba kolejnych cykli	maksymalna liczba cykli/godzinę	maksymalna liczba kolejnych cykli
Do 6	42	28	42	42
6 ÷ 9	28	18	28	28
9 ÷ 12	21	14	21	21
12 ÷ 15	17	11	17	17
15 ÷ 18			14	14

Tabela 3: ograniczenia wynikające z masy skrzydła

Waga skrzydła (kg)	RUN1800/ RUN1800P	RUN2500/ RUN2500P
	Wartość procentowa cykli	Wartość procentowa cykli
Do 500	100%	100%
500 ÷ 900	80	80
900 ÷ 1200	75	75
1200 ÷ 1500	60	60
1500 ÷ 1800	50	50
2000 ÷ 2300	---	40
2300 ÷ 2500	---	30

Długość skrzydła pozwala na określenie maksymalnej liczby cykli na godzinę oraz liczby kolejnych cykli, natomiast waga bramy pozwala na określenie procentowej redukcji cykli; na przykład, w przypadku RUN1800, jeśli skrzydło posiada długość 10 m, możliwych jest 21 cykli/godzinę i 14 kolejnych cykli, natomiast, jeśli skrzydło waży 1300 kg, należy zmniejszyć je o 60%, zatem w rezultacie otrzymamy około 9 cykli na godzinę oraz 8 kolejnych cykli. W celu zapobieżenia przegrzaniu, w centrali zamontowany jest ogranicznik, który oblicza obciążenie silnika i czas trwania cykli i interweniuje, kiedy zostaje przekroczona maksymalna wartość graniczna. Ogranicznik manewrów mierzy także temperaturę otoczenia, ograniczając dodatkowo liczbę manewrów w przypadku szczególnie wysokich temperatur.

W rozdziale „8 Parametry techniczne” zamieszczono szacunkową „trwałość”, to znaczy średni okres użytkowania produktu. Wartość ta jest silnie zależna od wskaźnika trudności manewrów, to znaczy od sumy wszystkich czynników mających wpływ na zużycie. Należy więc zsumować wszelkie wartości trudności znajdujące się w tabeli 4 i porównać z wykresem oszacowanej trwałości. Na przykład, siłownik RUN1800 zamontowany na bramie o masie 1300 kg, o długości 10m, z fotokomórkami i bez innych prawdopodobnych czynników obciążających otrzymuje wskaźnik trudności równy 45% (20+15-10). Na podstawie wykresu, szacowana trwałość wynosi 200000 cykli.

Trwałość produktu oszacowywana jest na podstawie obliczeń projektowych i wyników testów wykonanych na prototypach. W związku z tym, że jest to wartość szacunkowa, nie jest jednoznaczną gwarancją rzeczywistej trwałości produktu.

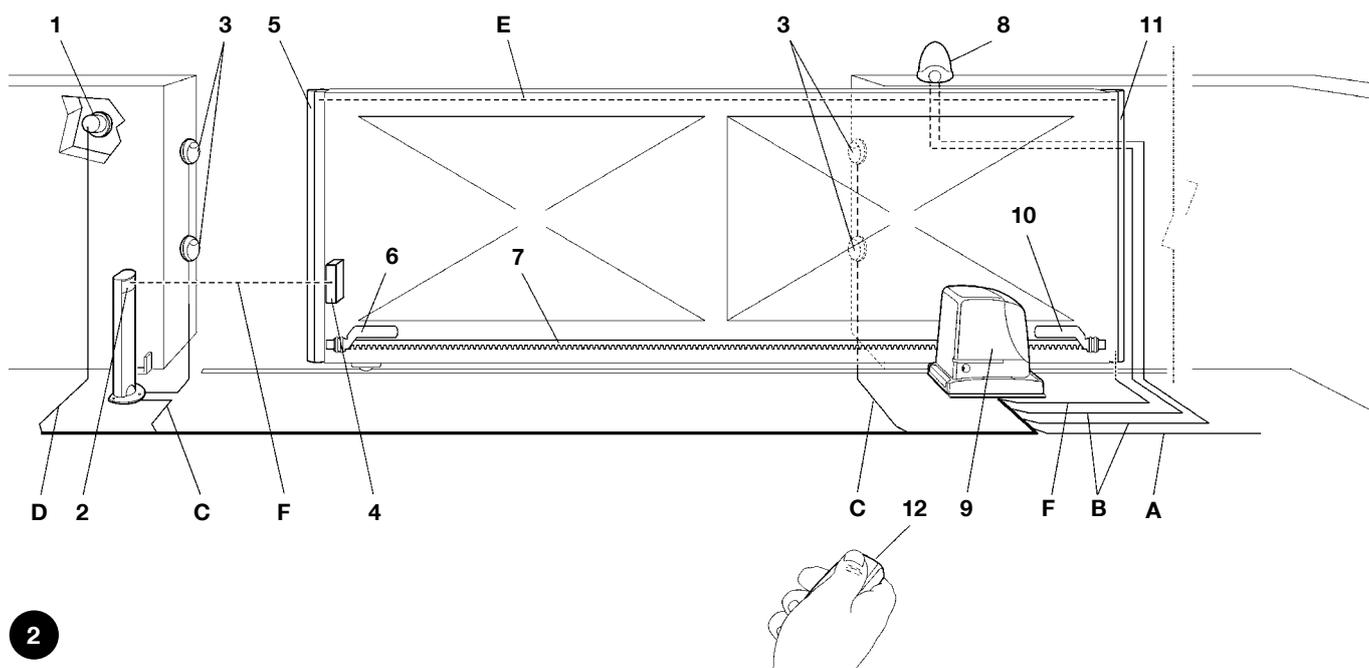
Tabela 4: szacunkowa trwałość jako wskaźnik trudności manewrów

Wskaźnik trudności %	Run		Trwałość w cyklach
	1800	2500	
Waga skrzydła kg			
Do 500	5	5	
500 ÷ 900	10	10	
900 ÷ 1200	20	20	
1200 ÷ 1500	30	30	
1500 ÷ 1800	40	40	
1800 ÷ 2200	-	50	
2200 ÷ 2500	-	60	
Długość skrzydła w metrach			
Do 6	5	5	
6 ÷ 9	10	10	
9 ÷ 12	15	15	
12 ÷ 15	25	25	
15 ÷ 18	-	35	
Pozostałe czynniki obciążeniowe (przy założeniu, że prawdopodobieństwo ich wystąpienia jest większe niż 10%)			
Temperatura otoczenia wyższa niż 40°C lub niższa niż 0°C albo wilgotność wyższa niż 80%	10	10	
Występowanie kurzu lub piasku	15	15	
Występowanie zasolenia	20	20	
Przerywanie manewru przez fotokomórkę	10	10	
Przerywanie manewru przez Stop	20	20	
Moment startowy	10	10	
Całkowity wskaźnik trudności %:			

Uwaga: jeśli wskaźnik trudności przekracza 100% oznacza to, że warunki wykraczają poza granice możliwe do przyjęcia. Zaleca się użycie modelu o większej mocy.

2.2) Typowa instalacja

Na rys. 2 przedstawiono typową instalację bramy przesuwanej automatycznie przy pomocy siłownika RUN



- | | | | |
|---|---|----|---|
| 1 | Przełącznik kluczowy | 7 | Listwa zębata |
| 2 | Odbiornik FT210B | 8 | Lampa ostrzegawcza z wbudowaną anteną |
| 3 | Fotokomórki | 9 | RUN |
| 4 | Nadajnik FT210B | 10 | Zderzak wyłącznika krańcowego „Zamknięty” |
| 5 | Listwa pierwotna ruchoma | 11 | Listwa wtórna ruchoma (opcja) |
| 6 | Zderzak wyłącznika krańcowego „Otwarty” | 12 | Radionadajnik |

2.3) Wykaz przewodów

W typowej instalacji przedstawionej na rys. 2 przedstawione są także przewody niezbędne do podłączenia różnych urządzeń; w tabeli 5 zostały przedstawione charakterystyki przewodów.

▲ Zastosowane przewody powinny odpowiadać rodzajowi instalacji; na przykład, zaleca się przewód typu H03VV-F do montażu wewnątrz lub przewód H07RN-F do montażu na zewnątrz.

Tabela 5: wykaz przewodów

Podłączenie	Typ przewodu	Maksymalna dozwolona długość
A: Linia elektryczna zasilająca	1 szt. przewód 3x1,5mm ²	30m (uwaga 1)
B: Lampa ostrzegawcza z anteną	1 szt. przewód 2x0,5 mm ²	20 m
	1 szt. przewód ekranowany typu RG58	20 m (zaleca się krótszy od 5 m)
C: Fotokomórki	1 szt. przewód 2x0,5 mm ²	30 m (uwaga 2)
D: Przełącznik kluczowy	2 szt. przewody 2x0,5 mm ² (uwaga 3)	50 m
E: Połączenie między 2 listwami ruchomymi	1 szt. przewód 2x0,5 mm ² (uwaga 4)	20m
F: Połączenie między listwami ruchomymi	1 szt. przewód 2x0,5 mm ² (uwaga 5)	30m

Uwaga 1: jeśli przewód zasilający jest dłuższy niż 30m, należy zastosować przewód o większym przekroju, na przykład 3 x 2,5 mm² oraz niezbędne jest dodatkowe uziemienie w pobliżu automatyki.

Uwaga 2: jeśli przewód „BlueBUS” jest dłuższy niż 30 m, ale nie dłuższy niż 50 m, należy zastosować przewód 2x1mm².

Uwaga 3: dwa przewody 2x0,5mm² mogą być zastąpione jednym przewodem 4x0,5 mm².

Uwaga 4: jeśli zastosowano więcej niż jedną listwę, patrz rozdział 7.3.2 „Wejście STOP” dla rodzaju zalecanego połączenia.

Uwaga 5: do połączenia listew ruchomych na skrzydłach przesuwanych należy wykorzystać odpowiednie urządzenia, które pozwalają na połączenie również wtedy, kiedy skrzydło jest w ruchu; na rysunku przedstawiono użycie urządzenia FT210B.

3) Montaż

⚠ Montaż siłownika RUN musi być wykonany przez wykwalifikowany personel, zgodnie z przepisami, normami i uregulowaniami prawnymi, oraz według niniejszej instrukcji.

3.1) Kontrole wstępne

Przed przystąpieniem do montażu urządzenia RUN, należy przeprowadzić następujące kontrole:

- Sprawdzić, czy wszystkie elementy i materiały przeznaczone do użycia są w idealnym stanie, odpowiednie do użycia i zgodne z normami.
- Sprawdzić, czy konstrukcja bramy jest odpowiednia do zautomatyzowania.
- Sprawdzić, czy waga i wymiary skrzydła mieszczą się w granicach zamieszczonych w rozdziale „2.1 Ograniczenia w użytkowaniu”.
- Sprawdzić, porównując z wartościami zamieszczonymi w rozdziale „8 Parametry techniczne”, czy siła niezbędna do poruszenia skrzydła jest mniejsza od połowy „Momentu maksymalnego” i, czy siła potrzebna do utrzymania ruchu skrzydła jest mniejsza od połowy „Momentu nominalnego”; zaleca się tu margines 50% wartości sił, ponieważ niesprzyjające warunki klimatyczne mogą zwiększać tarcie.
- Sprawdzić, czy na całej drodze przesuwu skrzydła, zarówno przy zamykaniu, jak i przy otwieraniu, nie występują miejsca posiadające zwiększony opór.
- Sprawdzić, czy nie ma niebezpieczeństwa wykołowania się skrzydła i, czy nie występuje zagrożenie wysunięcia się z prowadnic.
- Sprawdzić wytrzymałość mechanicznych ograniczników ruchu oraz, czy nie powstaną odkształcenia nawet, jeśli skrzydło miałoby uderzyć silnie w zderzak.
- Sprawdzić, czy skrzydło pozostaje w równowadze, czyli nie porusza się samoczynnie, jeśli jest zatrzymane i pozostawione w dowolnym położeniu.
- Sprawdzić strefę mocowania siłownika, czy nie jest narażona na zalanie i, w razie konieczności, zapewnić montaż na odpowiednim

wsporniku ponad podłożem.

- Sprawdzić, czy strefa mocowania siłownika pozwala na jego odblokowanie oraz łatwe i bezpieczne przeprowadzenie manewru ręcznego.
- Sprawdzić, czy miejsca mocowania różnych urządzeń znajdują się w miejscach zabezpieczonych przed uderzeniami i, czy powierzchnie montażu są odpowiednio solidne.
- Uważać, aby nie zanurzać elementów automatyki w wodzie lub innych płynach.
- Nie umieszczać siłownika RUN w pobliżu płomieni lub źródeł ciepła, w środowisku potencjalnie wybuchowym, szczególnie kwaśnym lub słonym, ponieważ może to uszkodzić siłownik RUN i stać się powodem nieprawidłowego działania albo spowodować inne zagrożenie.
- W przypadku istnienia drzwi wewnątrz skrzydła lub w obszarze ruchu skrzydła, należy się upewnić, że nie utrudniają one normalnego przesuwu i ewentualnie przewidzieć odpowiedni system blokujący.
- Centralę należy podłączyć do elektrycznej linii zasilania wyposażonej w uziemienie.
- Elektryczna linia zasilająca musi być odpowiednio zabezpieczona przez odpowiednie urządzenie magnetyczno-termiczne i różnicowe.
- Na linii zasilającej z sieci elektrycznej należy zamontować urządzenie rozłączające zasilanie (z kategorią przepięcia III, czyli odległość między stykami musi wynosić przynajmniej 3,5mm) albo inne, równorzędne urządzenie, na przykład wtyczkę i gniazdko. Jeżeli urządzenie rozłączające nie znajduje się w pobliżu automatyki, należy zabudować system blokujący przed przypadkowym lub nieuprawnionym włączeniem.

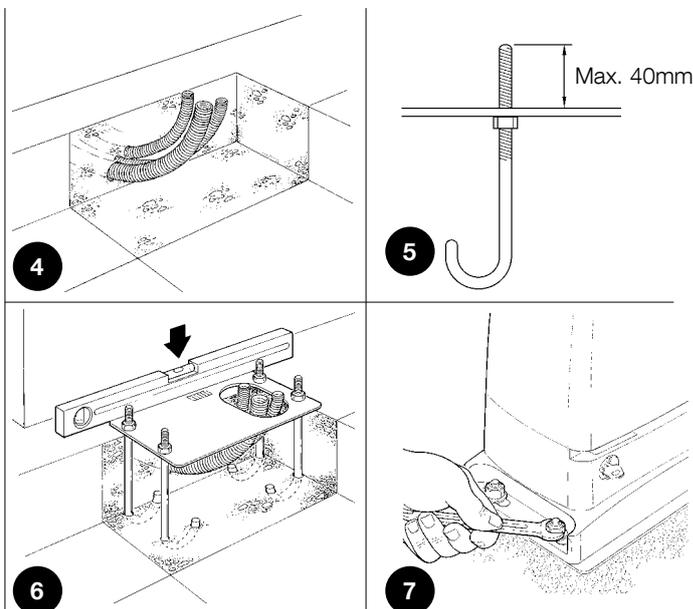
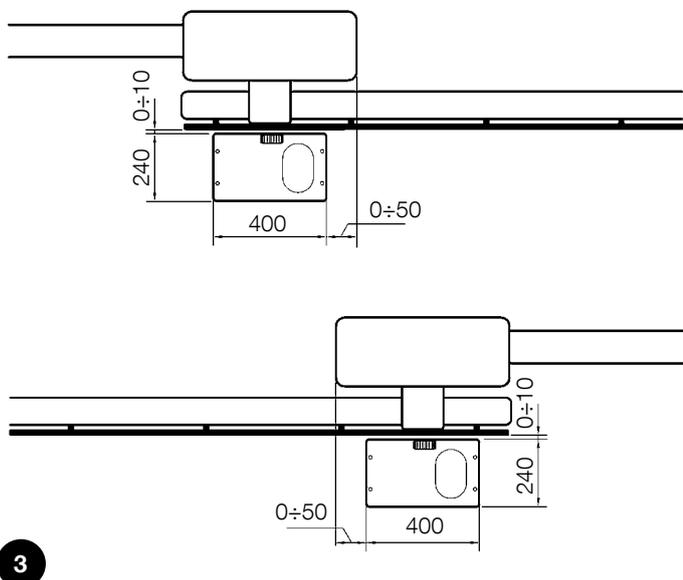
3.2) Mocowanie siłownika

Jeśli powierzchnia podparcia już istnieje, mocowanie siłownika należy wykonać bezpośrednio na tej powierzchni, wykorzystując do tego celu odpowiednie środki jak na przykład kołki rozporowe. W przeciwnym razie, w celu zamocowania siłownika:

1. Wykonać wykop pod fundament o odpowiednich wymiarach, wykorzystując jako odniesienie wartości podane na rys.3.
2. Przygotować jedną lub więcej rur do przeprowadzenia przewodów elektrycznych, jak przedstawiono na rys 4.
3. Złożyć 4 śruby fundamentowe z ostrogami na płycie fundamentowej, umieszczając jedną nakrętkę pod płytą i jedną nad płytą; należy przykręcić nakrętkę pod płytą w sposób przedstawiony

na rys. 5, aby część gwintowana wystawała maksymalnie 40mm ponad płytę;

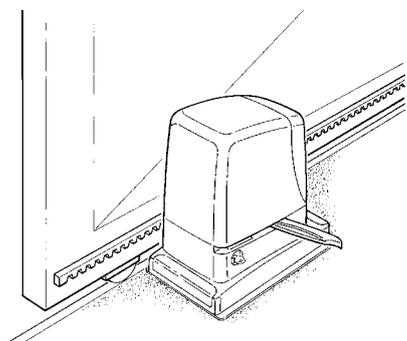
4. Wylać beton, i zanim zacznie tężeć, ustawić płytę fundamentową według odległości zamieszczonych na rys.3; sprawdzić, czy płyta jest równoległa do skrzydła i dokładnie wypoziomowana, patrz rys. 6. Odczekać na pełne związanie betonu.
5. Odkręcić 4 górne nakrętki z płyty. Ustawić siłownik na płycie i sprawdzić czy jest on dokładnie równoległy do skrzydła. Następnie lekko dokręcić 4 nakrętki i podkładki dołączone do opakowania, jak przedstawiono na rys. 7.



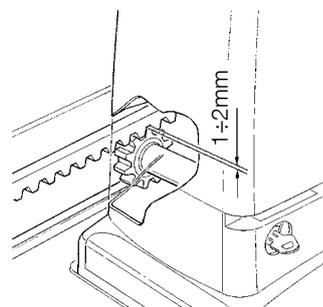
6. Odblokować siłownik w sposób opisany w punkcie „Odblokowanie i przesuw ręczny”, w rozdziale „Instrukcje i ostrzeżenia przeznaczone dla użytkownika siłownika RUN”.
7. Całkowicie otworzyć skrzydło, oprzeć pierwszy odcinek listwy zębatej na kole zębatym i sprawdzić, czy początek listwy zębatej odpowiada początkowi skrzydła, jak przedstawiono na rysunku 8. Upewnić się, że luz między kołem zębatym a listwą zębatą wynosi

1 ± 2 mm, następnie, przy użyciu odpowiednich elementów, przymocować listwę zębatą do skrzydła.

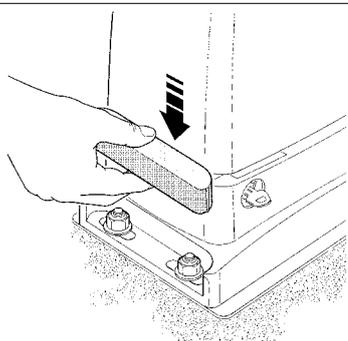
⚠ W celu uniknięcia obciążania siłownika przez masę skrzydła, pomiędzy listwą zębatą a kołem zębatym należy pozostawić luz około 1 ± 2 mm, jak przedstawiono na rys. 9.



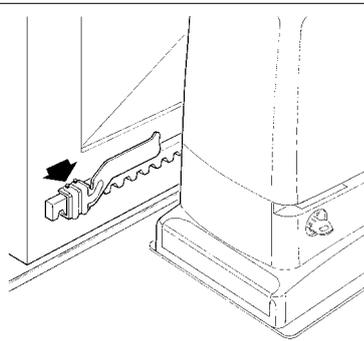
8



9



10



11

8. Przesunąć skrzydło i wykorzystywać zawsze koło zębate jako punkt odniesienia do mocowania następnych elementów listwy zębatej.
9. Odciąć ostatni, nadmiarowy, odcinek listwy zębatej.
10. Wykonać szereg ruchów polegających na zamykaniu i otwieraniu i sprawdzić, czy listwa zębata przechodzi prawidłowo po kole zębatym, z odstępstwem liniowym nie większym niż 5 mm, i czy na całej jej długości jest zachowany luz 1 ± 2 mm pomiędzy kołem zębatym a listwą zębatą.
11. Energicznie dokręcić nakrętki mocujące siłownik, upewniając się, że jest on właściwie zamocowany do podłoża; zakryć nakrętki mocujące odpowiednimi kapturkami, jak przedstawiono na rys. 10.
12. Zamocować zderzaki wyłącznika krańcowego w sposób opisany poniżej (dla wersji RUN1800P i RUN2500P zamocować zderzaki w

sposób opisany w punkcie „3.3 Mocowanie zderzaków wyłącznika krańcowego w wersjach z wyłącznikiem indukcyjnym”):

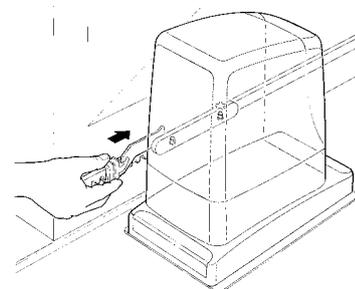
- Przesunąć ręcznie skrzydło w położenie otwarte, pozostawiając co najmniej 2-3 cm od ogranicznika mechanicznego.
 - Przesunąć zderzak po listwie zębatej w kierunku otwierania aż do zadziałania wyłącznika krańcowego. Następnie, przesunąć zderzak o przynajmniej 2 cm i zablokować go odpowiednimi wkrętami do listwy zębatej, jak przedstawiono na rysunku 11.
 - Wykonać to samo działanie dla wyłącznika krańcowego zamknięcia.
13. Zablokować siłownik w sposób podany w punkcie. Odblokowanie i przesuw ręczny w rozdziale „Instrukcje i ostrzeżenia przeznaczone dla użytkownika”.

3.3) Mocowanie zderzaków wyłącznika krańcowego w wersjach z wyłącznikiem indukcyjnym.

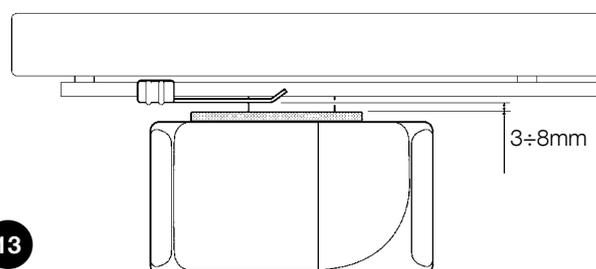
W wersjach RUN1800P i RUN2500P korzystających z indukcyjnych, zbliżeniowych wyłączników krańcowych, należy zamocować zderzaki w sposób opisany w dalszej części.

1. Przesunąć ręcznie skrzydło w położenie otwarte, pozostawiając co najmniej 2-3 cm od ogranicznika mechanicznego.
2. Przesunąć zderzak po listwie zębatej w kierunku otwarcia, aż do zgaszenia odpowiedniej diody, jak przedstawiono na rys. 12. Następnie, przesunąć zderzak o przynajmniej 2 cm i zablokować go odpowiednimi wkrętami do listwy zębatej.
3. Przesunąć ręcznie skrzydło w położenie zamknięte, pozostawiając co najmniej 2-3 cm od ogranicznika mechanicznego.
4. Przesunąć zderzak po listwie zębatej w kierunku zamykania aż do zgaszenia odpowiedniej diody. Następnie, przesunąć zderzak o przynajmniej 2 cm i zablokować go odpowiednimi wkrętami do listwy zębatej.

⚠ W indukcyjnych, zbliżeniowych wyłącznikach krańcowych, optymalna odległość zderzaka od wyłącznika zawiera się pomiędzy 3 a 8 mm, jak przedstawiono na rys. 13.



12



13

3.4) Montaż innych urządzeń

Wykonać montaż innych, przewidzianych urządzeń, przestrzegając odpowiednich instrukcji. Sprawdzić w punkcie „3.6 Opis połączeń elektrycznych” i na rys.2, jakie urządzenia mogą być podłączone do siłownika RUN.

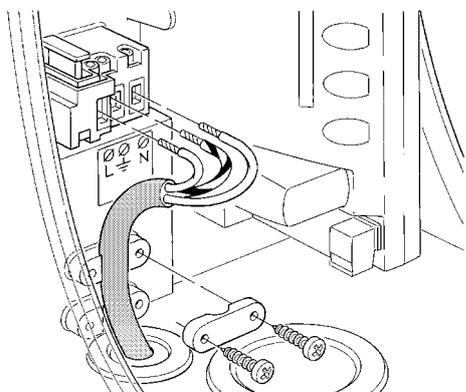
3.5) Połączenia elektryczne

⚠ Wszystkie połączenia elektryczne muszą być wykonane przy odłączonym zasilaniu.

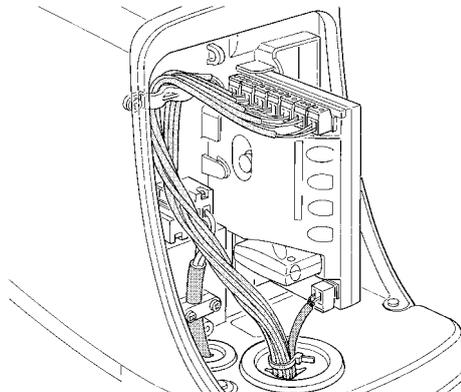
1. Aby zdjąć pokrywę zabezpieczającą i dostać się do elektronicznej centrali sterującej siłownika RUN, należy wykręcić śrubę z boku obudowy i zdjąć pokrywę, pociągając ją w górę.
2. Wyjąć dwie gumowe przelotki zamykające otwór na przewody. Wsunąć przewód zasilający do mniejszego otworu, natomiast wszystkie inne przewody do większego otworu. Pozostawić kable o długości o 20-30 cm większej, niż jest to konieczne. W tabeli 5 zamieszczono informacje dotyczące przewodów, a na rysunku 2 - informacje dotyczące połączeń.
3. Za pomocą opaski zaciskowej, związać i połączyć wszystkie przewody wchodzące do większego otworu, umieścić opaskę nieco poniżej otworu wejściowego kabli. Na większej przelotce, wyciąć otwór o średnicy mniejszej od średnicy wiązki zebranych przewo-

dów i założyć przelotkę na przewody, doprowadzając aż do opaski zaciskowej, a następnie umieścić przelotkę w gnieździe otworu przelotowego przewodów. Założyć drugą opaskę zaciskową w celu spięcia kabli nieco powyżej przelotki.

4. Na mniejszej przelotce, wyciąć otwór o średnicy mniejszej od średnicy przewodu zasilającego i założyć przelotkę na przewód, a następnie umieścić ją w gnieździe.
5. Podłączyć przewód zasilający do odpowiedniego zacisku, następnie zablokować za pomocą opaski zaciskowej, jak przedstawiono na rys. 14.
6. Wykonać połączenia pozostałych przewodów według schematu na rys. 16. W celu ułatwienia wykonania tego działania, zaciski są wyjmowane.
7. Po zakończeniu połączeń, należy zablokować przewody na oczku w obudowie przy użyciu opasek zaciskowych. Nadmiar przewodu antenowego należy zamocować wraz z innymi przewodami za pomocą opaski zaciskowej, jak przedstawiono na rys. 15.

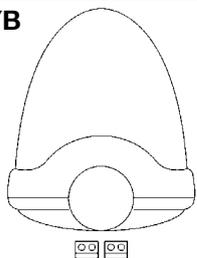


14



15

LUCYB



S.C.A.
24v 4w

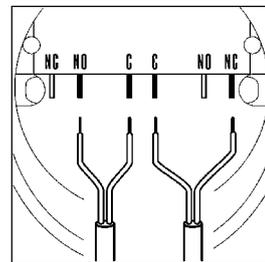
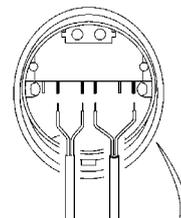
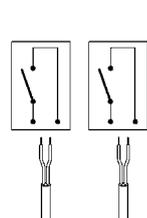
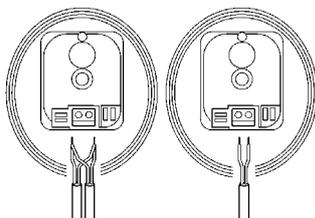
TX

MOFB

RX

OPEN CLOSE

MOSE



16

W celu podłączenia dwóch silników na przeciwnych skrzydłach, patrz punkt „7.3.5 RUN w trybie Slave”.

3.6) Opis połączeń elektrycznych

W tym punkcie znajduje się krótki opis połączeń elektrycznych; dodatkowe informacje znajdują się w punkcie „7.3 Dodawanie lub usuwanie urządzeń”.

FLASH: wyjście dla jednej lub dwóch lamp ostrzegawczych typu „LUCYB” lub innych z jedną żarówką 12 V o maksymalnej mocy 21 W.

S.C.A.: wyjście „Kontrolka Otwartej Bramy”; można tu podłączyć lampę sygnalizacyjną 24 V o maksymalnej mocy 4 W. Może ona być również zaprogramowana do innych funkcji, patrz punkt „7.2.3 Funkcje drugiego poziomu”.

BLUEBUS: do tego zacisku można podłączyć kompatybilne urządzenia; wszystkie są łączone równolegle tylko dwoma przewodami, którymi są zasilane, i którymi wysyłają sygnały do centrali. Inne informacje dotyczące BlueBUS znajdują się w punkcie „7.3.1 BlueBUS”.

STOP: wejście dla urządzeń, które blokują lub zatrzymują wykonywany manewr; za pomocą odpowiednich działań na wejściu, możliwe

jest podłączenie styków „Normalnie zamkniętych”, „Normalnie otwartych” lub urządzenia o stałym oporze. Dodatkowe informacje na temat STOP zostały zamieszczone w punkcie „7.3.2 Wejście STOP”.

P.P.: wejście dla urządzeń, które sterują ruchem w trybie Krok po Kroku. Można podłączyć tu styki typu „Normalnie Otwarty”.

OPEN: wejście dla urządzeń, które sterują ruchem samego otwierania, można podłączyć tu styki typu „Normalnie Otwarty”.

CLOSE: wejście dla urządzeń, które sterują ruchem samego zamykania; można podłączyć tu styki typu „Normalnie Otwarty”.

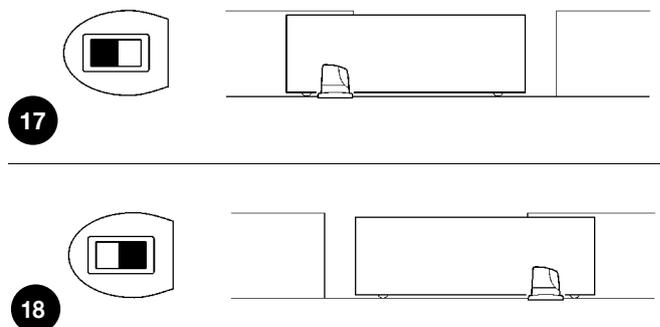
ANTENA: wejście podłączenia anteny dla odbiornika radiowego (antena jest wbudowana w lampę LUCY B).

4) Końcowe kontrole i uruchomienie

Przed rozpoczęciem fazy kontroli i rozruchu automatyki zaleca się ustawienie skrzydła w połowie drogi tak, aby mogło się swobodnie poruszać w kierunku otwarcia oraz zamknięcia.

4.1) Wybór kierunku

W zależności od położenia siłownika w stosunku do skrzydła bramy, niezbędne jest wybranie kierunku manewru otwarcia; jeżeli, w celu otwarcia, skrzydło musi się przesuwać w lewo, należy przestawić przełącznik w lewo, jak przedstawiono na rys. 17, jeżeli, w celu otwarcia, skrzydło musi się przesuwać w prawo, należy przestawić przełącznik w prawo, jak przedstawiono na rys. 18.



4.2) Podłączenie zasilania

⚠ Podłączenie zasilania do siłownika RUN musi być wykonane przez fachowy, wykwalifikowany personel, posiadający niezbędne narzędzia, jak również w pełnym poszanowaniu przepisów, norm i uregulowań prawnych.

Natychmiast po doprowadzeniu napięcia do siłownika RUN, zaleca się wykonanie kilku prostych kontroli:

1. Sprawdzić, czy dioda sygnalizacyjna BlueBUS miga regularnie z częstotliwością jednego mignięcia na sekundę.
2. Sprawdzić, czy migają również diody kontrolne na fotokomórkach

(na TX jak i na RX); nie jest ważny rodzaj migania, gdyż zależy on od innych czynników.

3. Sprawdzić, czy lampka ostrzegawcza podłączona do wyjścia FLASH i dioda kontrolna podłączona do wyjścia S.C.A. są zgaszone.

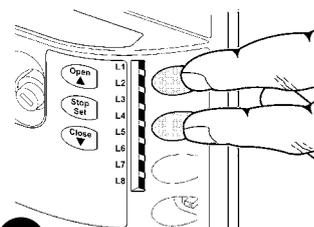
Jeśli tak się nie dzieje, należy natychmiast wyłączyć zasilanie centrali i uważnie sprawdzić połączenia elektryczne.

Inne informacje, przydatne do wyszukiwania i diagnozowania uszkodzeń znajdują się w rozdziale „7.6 Rozwiązywanie problemów”.

4.3) Wczytywanie urządzeń

Po podłączeniu zasilania, należy doprowadzić do tego, aby centrala wczytała urządzenia podłączone do wejść BlueBUS i STOP. Przed wykonaniem tej czynności diody LED L1 i L2 migają, wskazując na konieczność wczytania urządzeń.

1. Nacisnąć i przytrzymać wciśnięte przyciski **[▲]** i **[Set]**
2. Zwolnić przyciski, gdy diody LED L1 i L2 zaczną bardzo szybko migać (po około 3 sekundach).
3. Odczekać kilka sekund, aż centrala zakończy wczytywanie urządzeń.
4. Po zakończeniu wczytywania, dioda LED STOP musi pozostać zaświecona, diody LED L1 i L2 zgasną (ewentualnie zaczną migać diody LED L3 i L4).



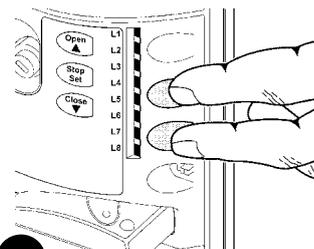
19

Faza wczytywania dołączonych urządzeń może być powtórzona w dowolnej chwili, również po dokonaniu montażu dodatkowego urządzenia; informacje na temat przeprowadzania nowego wczytywania zawarto w punkcie „7.3.6 Wczytywanie innych urządzeń”.

4.4) Wczytywanie długości skrzydła

Po wczytaniu urządzeń, diody LED L3 i L4 zaczną migać; oznacza to, że należy umożliwić centrali wczytanie długości skrzydła (odległość od wyłącznika krańcowego zamknięcia do wyłącznika krańcowego otwarcia); ten wymiar jest niezbędny do obliczenia punktu zwalniania i punktu otwarcia częściowego.

1. Nacisnąć i przytrzymać wciśnięte przyciski **[▼]** i **[Set]**
2. Zwolnić przyciski, kiedy rozpocznie się manewr (po około 3 sekundach).
3. Sprawdzić, czy wykonywanym manewrem jest otwarcie, w przeciwnym przypadku nacisnąć przycisk **[Stop]** i uważnie sprawdzić punkt „4.1 Wybór kierunku”, następnie powtórzyć od punktu 1.
4. Odczekać, aż centrala ukończy manewr otwarcia, aż do osiągnięcia wyłącznika krańcowego otwarcia; zaraz potem rozpoczyna się manewr zamknięcia.
5. Odczekać, aż centrala zakończy manewr zamykania.



Jeśli tak się nie dzieje, należy natychmiast wyłączyć zasilanie centrali i uważnie sprawdzić połączenia elektryczne. Inne potrzebne informacje znajdują się w rozdziale „7.6 Rozwiązywanie problemów”.

4.5) Kontrola ruchu bramy

Po wczytaniu długości skrzydła, zaleca się wykonanie kilku manewrów w celu sprawdzenia prawidłowości ruchu bramy.

1. Nacisnąć przycisk **[Open]**, aby wykonać manewr „Otwierania”; sprawdzić czy otwieranie bramy przebiega normalnie, bez zmiany prędkości. Dopiero, gdy skrzydło znajdzie się w odległości od 70 do 50cm od wyłącznika krańcowego otwierania, powinno ono zwolnić i zatrzymać się, w wyniku interwencji wyłącznika krańcowego, w odległości 2÷3cm od mechanicznego ogranicznika otwierania.
2. Nacisnąć przycisk **[Close]**, aby wykonać manewr „Zamknięcia”; sprawdzić czy zamykanie bramy przebiega normalnie, bez zmiany prędkości. Dopiero, gdy skrzydło znajdzie się w odległości od 70 do 50 cm od wyłącznika krańcowego zamknięcia, powinno zwolnić i zatrzymać się w wyniku interwencji wyłącznika krańcowego,

w odległości 2÷3cm od mechanicznego ogranicznika zamknięcia.

3. Podczas manewru sprawdzić, czy lampa ostrzegawcza miga w następujących cyklach: świeci się przez 0,5 sekundy i następnie gaśnie na 0,5 sekundy. Należy sprawdzić również miganie kontrolki podłączonej do zacisku S.C.A.: wolne miganie przy otwieraniu i szybkie przy zamykaniu.
4. Wykonać kilka manewrów otwierania i zamykania w celu wychwycenia ewentualnych usterek montażu i regulacji lub innych anomalii, na przykład punktów zwiększonego tarcia.
5. Sprawdzić, czy mocowanie siłownika RUN, listwy zębatej i zderzaków wyłączników krańcowych jest pewne, stabilne i odpowiednio wytrzymałe, również podczas silnych przyspieszeń lub zwolnień ruchu bramy.

4.6) Funkcje ustawione fabrycznie

Centrala sterująca siłownikiem RUN dysponuje kilkoma programowanymi funkcjami; funkcje te są regulowane fabrycznie w sposób odpowiedni dla większości zastosowań automatyki.

W każdym razie, funkcje mogą być zmienione w każdej chwili poprzez zastosowanie odpowiedniej procedury programowania, w tym celu należy się zapoznać z treścią punktu „7.2 Programowanie”.

4.7) Odbiornik radiowy

Do zdalnego sterowania siłownikiem RUN w centrali sterującej przewidziano złącze SM przeznaczone dla opcjonalnych odbiorników radiowych typu SMXI lub SMXIS. W celu podłączenia odbiornika radiowego, należy odłączyć zasilanie RUN i wykonać czynności przedstawione na rysunku 21. W tabeli 6 opisano związek między wyjściem odbiornika radiowego SMXI i SMXIS, a poleceniem, które wykona siłownik RUN:

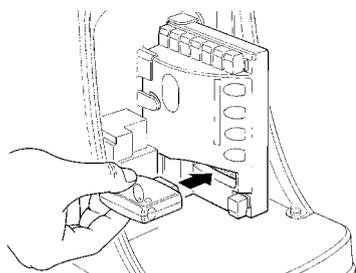


Tabela 6: Polecenie wydawane sterownikiem SMXI, SMXIS

Wyjście nr 1	Polecenie „P.P.” (Krok po Kroku)
Wyjście nr 2	Polecenie „Otwarcie częściowe”
Wyjście nr 3	Polecenie „Otwiera”
Wyjście nr 4	Polecenie „Zamyka”

Dodatkowe informacje zawarte są w podręczniku użytkownika odbiornika radiowego.

5) Odbiór i przekazanie do eksploatacji

Jest to najważniejszy etap realizacji automatyki, który ma na celu zapewnienie maksymalnego bezpieczeństwa. Próba odbiorcza może być również stosowana jako okresowa kontrola urządzeń wchodzących w skład automatyki.

▲ Próby odbiorcze całego urządzenia muszą być przeprowadzone przez doświadczony i wykwalifikowany personel, który musi wykonać te próby, w zależności od istniejących zagrożeń, z pełnym przestrzeganiem tego, co przewiduje prawo, normy i uregulowania, a w szczególności zgodnie z wszystkimi wymaganiami normy EN12445, która określa metody prób dla automatyki bram.

5.1) Próby odbiorcze

Każdy element automatyki, na przykład listwy ochronne, fotokomórki, obwód zatrzymania awaryjnego itp., wymagają specyficznej fazy odbioru; dla tych urządzeń będzie trzeba wykonać procedury podane w odpowiednich instrukcjach. Podczas wykonywania próby technicznej siłownika RUN, należy wykonać następujące czynności w podanej kolejności:

1. Sprawdzić, czy były dokładnie przestrzegane wskazówki zamieszczone w instrukcji, w szczególności te z rozdziału „1 Ostrzeżenia”;
2. Odblokować siłownik w sposób opisany w punkcie „Odblokowanie i przesuw ręczny, w rozdziale „Instrukcje i ostrzeżenia przeznaczone dla użytkownika siłownika RUN”.
3. Sprawdzić, czy można ręcznie poruszyć bramę przy zamykaniu i otwieraniu z siłą nie większą niż 390 N (około 40 kg).
4. Zablokować siłownik.
5. Wykorzystując przewidziane urządzenia sterowania lub zatrzymania (przełącznik kluczowy, przyciski sterowania lub nadajniki radiowe), wykonać próby otwarcia, zamknięcia i zatrzymania bramy

sprawdzić, czy jej zachowanie jest zgodne z przewidzianym.

6. Sprawdzić kolejno prawidłowe działanie wszystkich urządzeń zabezpieczających znajdujących się w instalacji (fotokomórki, listwy krawędziowe, ograniczniki awaryjne, itd.), a także upewnić się, że brama zachowuje się w przewidziany sposób. Za każdym razem, gdy zadziała któreś urządzenie, znajdująca się na centrali dioda „BlueBUS”, powinna wykonać 2 szybkie mignięcia jako potwierdzenie rozpoznania zdarzenia.
7. Jeśli sytuacjom niebezpiecznym powodowanym przez ruch skrzydeł zapobiega się poprzez ograniczenie siły uderzenia, należy przeprowadzić pomiar siły zgodnie z wymaganiami normy EN 12445. Jeżeli regulacja „Czułości odczytu przeszkód” i kontrola „Momentu silnika” zostały użyte pomocniczo w systemie ograniczenia siły uderzenia, należy znaleźć taką regulację, która da najlepszy wynik.

5.2) Przekazanie do eksploatacji

Przekazanie do eksploatacji może nastąpić tylko po wykonaniu z wynikiem pozytywnym wszystkich prób odbiorczych siłownika RUN oraz innych przyłączonych urządzeń. Zabronione jest częściowe lub „prowizoryczne” wprowadzanie do użytku.

1. Sporządzić i przechowywać przez okres co najmniej 10 lat dokumentację techniczną, która musi zawierać co najmniej: rysunek całości systemu automatyki, schemat połączeń elektrycznych, analizę ryzyka i zastosowane środki zapobiegawcze, deklarację zgodności producenta wszystkich zainstalowanych urządzeń (w przypadku siłownika RUN, należy użyć załączoną Deklarację CE), kopię instrukcji obsługi oraz plan konserwacji systemu automatyki.
2. Umieścić na bramie tabliczkę zawierającą co najmniej poniższe dane: rodzaj automatyki, nazwę i adres producenta (odpowiedzialnego za „przekazanie do eksploatacji”), numer seryjny, rok

produkcji oraz oznaczenie „CE”.

3. Zamocować w pewny sposób w pobliżu bramy etykietę lub tabliczkę z opisem operacji odblokowania i ręcznego otwierania.
4. Opracować i przekazać właścicielowi deklarację zgodności automatyki.
5. Opracować i przekazać właścicielowi „Instrukcję obsługi i ostrzeżenia dotyczące użytkowania systemu automatyki”.
6. Opracować i przekazać właścicielowi harmonogram konserwacji automatyki, (który musi zawierać wszystkie opisy dotyczące konserwacji pojedynczych urządzeń).
7. Przed wprowadzeniem do użytku systemu automatyki, należy w formie pisemnej poinformować odpowiednio właściciela (np. w instrukcji obsługi i ostrzeżeniach dotyczących użytkowania systemu automatyki) na temat istniejących niebezpieczeństw i zagrożeń.

6) Konserwacja i utylizacja

W niniejszym rozdziale zostały zamieszczone informacje niezbędne do wykonania harmonogramu konserwacji i utylizacji RUN.

6.1) Konserwacja

W celu utrzymywania stałego poziomu bezpieczeństwa oraz w celu zapewnienia maksymalnej trwałości całości automatyki niezbędna jest regularna konserwacja; w tym celu urządzenie RUN jest wyposażone w stycznik manewrowy oraz system sygnalizacji żądania konserwacji, patrz punkt „7.4.4 Wezwanie do konserwacji”.

⚠ Czynności konserwacyjne muszą być wykonywane ściśle według zasad bezpieczeństwa opisanych w niniejszej instrukcji oraz zgodnie z obowiązującymi przepisami i normami.

W przypadku urządzeń innych niż RUN, należy przestrzegać odpowiednich harmonogramów konserwacji.

1. W przypadku siłownika RUN, konieczna jest planowa konserwacja w ciągu maksymalnie 6 miesięcy lub maksymalnie po 30 000 cykli roboczych od poprzedniej konserwacji.
2. Odłączyć wszelkie źródła zasilania elektrycznego.
3. Sprawdzić stan zużycia wszystkich materiałów wchodzących w skład automatyki, zwracając szczególną uwagę na zjawiska korozji lub oksydacji elementów konstrukcyjnych; wymienić elementy, które nie dają wystarczających gwarancji.
4. Sprawdzić stopień zużycia elementów ruchomych: koła zębatego, listwy zębatej i wszystkich elementów skrzydła, wymienić części zużyte.
5. Ponownie podłączyć źródła zasilania elektrycznego i wykonać próby i kontrole przewidziane w paragrafie „5.1 Próby odbiorcze”.

6.2) Utylizacja

Tak, jak w przypadku montażu, po upływie okresu użytkowania niniejszego produktu, czynności demontażu powinny być wykonywane przez wykwalifikowany personel.

Niniejszy produkt składa się z różnego rodzaju materiałów, niektóre z nich mogą być odzyskane, inne muszą zostać utylizowane, należy zasięgnąć informacji na temat systemów recyklingu lub utylizacji przewidywanych dla tego rodzaju produktu przez lokalne przepisy.

⚠ Niektóre elementy produktu mogą zawierać substancje szkodliwe lub niebezpieczne, które pozostawione w środowisku mogłyby zaszkodzić środowisku lub zdrowiu ludzkiemu.

Jak wskazuje symbol na rys. 22, zabrania się wyrzucania niniejszego produktu razem z odpadami domowymi. W celu usunięcia produktu należy zatem przeprowadzić zgodnie z lokalnie obowiązującymi przepisami „zbiórkę selektywną” lub zwrócić produkt do sprzedawcy w chwili zakupu nowego, równoważnego produktu.



Lokalne przepisy mogą przewidywać poważne sankcje w przypadku samodzielnej likwidacji tego produktu.

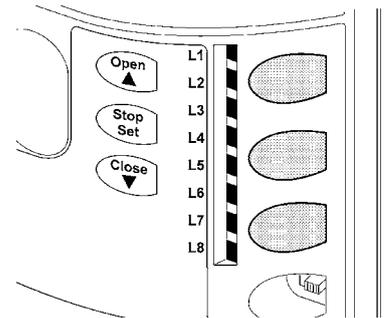
7) Informacje szczegółowe

W tym rozdziale są opisane możliwości programowania, personalizacji, diagnostyki i wyszukiwania usterek w siłowniku RUN.

7.1) Przyciski do programowania

Na centrali sterującej siłownika RUN znajdują się 3 przyciski, które mogą być użyte do sterowania centralą podczas prób oraz do programowania:

Open ▲	Przycisk „OPEN” pozwala na sterowanie otwarciem bramy albo przesuwania w górę punkt programowania
Stop Set	Przycisk „STOP” pozwala na zatrzymanie manewru; jeżeli zostanie przytrzymany przez ponad 5 sekund, pozwala na wejście w tryb programowania
Close ▼	Przycisk „CLOSE” pozwala na sterowanie zamknięciem bramy lub przesuwania w dół punkt programowania



23

7.2) Programowanie

W centrali sterującej siłownika RUN są dostępne funkcje, które można programować; regulacja funkcji odbywa się za pomocą 3 przycisków znajdujących się na centrali: [▲] [Set] [▼] i są wyświetlane za pomocą 8 diod: L1...L8.

Funkcje programowalne, dostępne w siłowniku RUN są rozmieszczone na 2 poziomach:

Pierwszy poziom: funkcje regulowane w trybie ON-OFF (aktywna lub nieaktywna); in w tym przypadku każda z diod LED L1...L8 wskazuje jedną z funkcji, jeżeli się świeci, oznacza to, że funkcja jest aktywna, jeżeli się nie świeci, oznacza to, że funkcja nie jest aktywna; patrz tabela 7.

Drugi poziom: parametry regulowane w określonej skali wartości (od 1 do 8). W tym przypadku, każda dioda LED L1...L8 oznacza jedną spośród 8 możliwości, patrz tabela 9.

7.2.1) Funkcje pierwszego poziomu (funkcje ON-OFF)

Tabela 7: lista funkcji, które można zaprogramować: pierwszy poziom

Dioda	Funkcja	Opis
L1	Zamykanie Automatyczne	Ta funkcja pozwala na automatyczne zamknięcie bramy po zaprogramowanym czasie przerwy, fabryczny czas przerwy jest ustawiony na 30 sekund, ale może być on zmieniony na 5, 15, 30, 45, 60, 80, 120 i 180 sekund. Jeśli funkcja nie jest aktywna, działanie jest „półautomatyczne”.
L2	Zamknij po Foto	Ta funkcja pozwala na utrzymywanie bramy otwartej tylko przez czas niezbędny do przejścia przez nią, bowiem zawsze działanie fotokomórki „Foto” wywołuje automatyczne zamknięcie z czasem opóźnienia 5 sekund (niezależnie od zaprogramowanej wartości). Sytuacja ta zmienia się w zależności od tego, czy funkcja „Zamykanie Automatyczne” jest włączona lub nie. Przy wyłączonym „Zamykaniu Automatycznym”: Brama osiąga zawsze położenie całkowitego otwarcia (także jeśli zwolnienie fotokomórki ma miejsce wcześniej). Po zwolnieniu fotokomórki, wywołuje się zamykanie automatyczne z przerwą 5 s. Przy włączonym „Zamykaniu Automatycznym”: czynność otwierania następuje niezwłocznie po zwolnieniu Foto i wywoływane jest automatyczne zamknięcie z opóźnieniem 5-sekundowym. Funkcja „Zamknij po Foto” jest zawsze wyłączana podczas manewrów przerwanych poleceniem Stop. Jeśli funkcja „Zamknij po Foto” nie jest aktywna, czas przerwy będzie taki jak zaprogramowany, albo nie nastąpi automatyczne zamknięcie, jeśli funkcja nie jest aktywna.
L3	Zawsze Zamyka	Funkcja „Zawsze Zamyka” działa, powodując zamknięcie w sytuacji, gdy po przywróceniu zasilania zostanie odczytana otwarta brama. Ze względów bezpieczeństwa, manewr jest poprzedzony 5-sekundowym miganiem wstępnym. Jeśli funkcja nie jest aktywna, po przywróceniu zasilania brama pozostaje nieruchoma.
L4	Zwalnianie	Aktywując tą funkcję, zostanie włączona faza zwolnienia na końcu manewrów otwierania i zamykania. Prędkość zwalniania odpowiada około 60% prędkości nominalnej. Uwaga: podczas zwalniania, silnik rozwija tylko połowę momentu nominalnego; nie będzie możliwe użycie zwalniania na bramach ciężkich lub wymagających maksymalnego momentu. Jeżeli zwolnienie nie jest aktywne, prędkość będzie stała podczas całego manewru.
L5	Moment startowy	Włączając tą funkcję, wyłączamy stopniowe przyspieszenie przy rozpoczynaniu każdego z manewrów, co pozwala na uzyskanie maksymalnego momentu startowego i jest korzystne w sytuacjach występowania dużego tarcia statycznego, na przykład w przypadku śniegu lub lodu, które blokują skrzydło bramy. Jeśli moment startowy nie jest aktywny, manewr rozpoczyna się od stopniowego przyspieszenia.
L6	Miganie wstępne	Dzięki funkcji wstępnego migania, została dodana 3-sekundowa przerwa pomiędzy rozpoczęciem migania a rozpoczęciem manewru w celu wcześniejszego uprzedzenia o niebezpieczeństwie. Jeśli wstępne miganie nie jest aktywne, włączenie migania następuje równocześnie z rozpoczęciem manewru.
L7	„Zamyka” zmienia się na	Aktywując tę funkcję wszystkie polecenia „zamknij” (wejście „CLOSE” lub polecenie radiowe „zamknij”) uruchamiają manewr „Otwarcia Częściowego” (patrz dioda LED L6 w tabeli 9).
L8	Tryb „Slave”	Włączając tę funkcję RUN staje się „Slave”: w ten sposób możliwe jest zsynchronizowanie działania 2 silników na przeciwległych skrzydłach, z których jeden pełni rolę Master, a drugi Slave. Dokładniejsze informacje na ten temat znajdują się w punkcie „7.3.5 RUN w trybie „Slave”.

Podczas normalnej pracy urządzenia RUN, diody L1...L8 są zaświecone lub zgaszone zgodnie ze stanem funkcji, jaką reprezentują, np.

L1 jest zaświecona, jeśli jest włączone „Zamykanie automatyczne”.

7.2.2 Programowanie pierwszego poziomu (funkcje ON-OFF)

Wszystkie funkcje pierwszego poziomu są fabrycznie ustawione na „OFF”, ale mogą być zmienione w każdej chwili - patrz tabela 8. Należy zachować ostrożność podczas wykonywania procedury programowania, ponieważ maksymalny okres czasu między jednym a drugim naciśnięciem przycisku wynosi 10 sekund; po jego upływie procedura jest automatycznie przerywana, a wprowadzone zmiany zostają zapamiętane.

Tabela 8: aby zmienić funkcje ON-OFF		Przykład
1.	Nacisnąć i przytrzymać wciśnięty przycisk [Set] przez około 3s	
2.	Zwolnić przycisk [Set] , gdy zacznie migać dioda LED L1	
3.	Nacisnąć przyciski [▲] lub [▼] aby zamienić pozycję migającej diody na diodę odpowiadającą funkcji, która ma być zmieniona.	
4.	Nacisnąć przycisk [Set] w celu zmiany stanu funkcji (krótkie mignięcie = OFF; długie mignięcie = ON).	
5.	Odczekać 10 sekund w celu wyjścia z programowania w wyniku upływu czasu.	

Uwaga: punkty 3 i 4 mogą być powtórzone podczas tej samej fazy programowania w celu wprowadzenia ON lub OFF dla innych funkcji

7.2.3 Funkcje drugiego poziomu (parametry regulowane)

Tabela 9: lista funkcji, które można zaprogramować: drugi poziom				
Dioda wejścia	Parametr	Dioda LED (poziom)	Wartość	Opis
L1	Czas Przerwa	L1	5 sekund	Reguluje czas przerwy, to znaczy czas przed zamknięciem automatycznym. Działa jedynie, gdy zamykanie automatyczne jest aktywne.
		L2	15 sekund	
		L3	30 sekund	
		L4	45 sekund	
		L5	60 sekund	
		L6	80 sekund	
		L7	120 sekund	
		L8	180 sekund	
L2	Funkcja P.P.	L1	Otwiera-stop-zamyka-stop	Reguluje sekwencję poleceń przypisanych do wejścia Krok po Kroku po 1 poleceniu radiowym.
		L2	Otwiera-stop-zamyka-otwiera	
		L3	Otwiera-zamyka-otwiera-zamyka	
		L4	Zespół mieszkalny	
		L5	Zespół mieszkalny 2 (ponad 2" zatrzymuje)	
		L6	Krok po Kroku 2 (mniej niż 2" otwiera częściowo)	
		L7	Manualny	
		L8	Otwarcie w trybie „półautomatycznym”, zamknięcie w trybie „manualnym”	
L3	Poziom czułości odczytu przeszkód	L1	Czułość maksymalnie wysoka (lekkie bramy)	Reguluje czułość odczytu przeszkód. Należy pamiętać, że na czułość wpływa również siła silnika (patrz L5). Należy zawsze najpierw wyregulować siłę silnika; dopiero później można wyregulować czułość odczytu przeszkód.
		L2	Czułość bardzo wysoka	
		L3	Czułość wysoka	
		L4	Czułość średnia	
		L5	Czułość średnio-niska	
		L6	Czułość niska	
		L7	Czułość bardzo niska	
		L8	Czułość maksymalnie niska (ciężkie bramy)	
L4	Poziom czułości odczytu przeszkód	L1	Funkcja „Kontrolka Otwartej Bramy”	Reguluje funkcję przypisaną do wyjścia S.C.A. (niezależnie od rodzaju funkcji przypisanej do wyjścia, gdy jest ono włączone, dostarcza napięcie 24 V -30 + 50% o maksymalnej mocy 4 W)
		L2	Aktywne, jeśli skrzydło zamknięte	
		L3	Aktywne, jeśli skrzydło otwarte	
		L4	Aktywne z wyjściem radiowym nr 2	
		L5	Aktywne z wyjściem radiowym nr 3	
		L6	Aktywne z wyjściem radiowym nr 4	
		L7	Kontrolka konserwacji	
		L8	Zamek elektryczny	
L5	Kontrola momentu silnik	L1	Stały 40%	Po uruchomieniu silnika, reguluje siłę w celu jej dostosowania do wagi bramy. System kontroli mierzy również temperaturę otoczenia, automatycznie zwiększając siłę w przypadku szczególnie niskich temperatur.
		L2	Stały 50%	
		L3	Stały 60%	
		L4	Stały 80%	
		L5	Stały 100%	
		L6	Półautomatyczny 1=40÷100% (1)	
		L7	Półautomatyczny 2=60÷100% (1)	
		L8	Automatyczny = 0÷100% (2)	

Dioda wejścia	Parametr	Dioda LED (poziom)	Wartość	Opis
L6	Czas Przerwa	L1	0,5 m	Reguluje wymiar częściowego otwarcia. Częściowe otwarcie można zlecić przy użyciu 2 kanału radiowego lub „ZAMYKA”, jeśli funkcja „Zamyka” jest zaprogramowana jako „Otwiera Częściowo”
		L2	1 m	
		L3	1,5 m	
		L4	2 m	
		L5	2,5 m	
		L6	3 m	
		L7	3,4 m	
		L8	4 m	
L7	Wezwanie do konserwacji	L1	Automatyczne (w zależności od trudności manewrów)	Reguluje liczbę manewrów, po której przekazuje sygnał żądania konserwacji automatyki (zob. paragraf „7.4.4 Wezwanie do konserwacji”).
		L2	2 000	
		L3	4 000	
		L4	7 000	
		L5	10 000	
		L6	15 000	
		L7	20 000	
		L8	30 000	
L8	Lista usterek	L1	Wynik 1 ^a manewr (ostatni)	Umożliwia skontrolowanie rodzaju anomalii, jaka pojawiła się podczas ostatnich 8 manewrów (patrz punkt „7.6.1 Historia anomalii”).
		L2	Wynik 2 ^a manewr	
		L3	Wynik 3 ^a manewr	
		L4	Wynik 4 ^a manewr	
		L5	Wynik 5 ^a manewr	
		L6	Wynik 6 ^a manewr	
		L7	Wynik 7 ^a manewr	
		L8	Wynik 8 ^a manewr	

Uwaga: „■” sygnalizuje ustawienie fabryczne

Uwaga (1): Reguluje automatycznie konieczną siłę, utrzymując minimalny poziom siły.

Uwaga (2): Reguluje automatycznie konieczną siłę.

Wszystkie parametry mogą być regulowane według uznania, bez żadnych ograniczeń; jedynie regulacja „Czułości odczytu przeszkód” i „Kontroli siły silnika” może wymagać szczególnej uwagi:

- Odradzamy stosowania dużych wartości siły, w celu skompensowania faktu, że w niektórych miejscach skrzydła dochodzi do nadmiernego tarcia; zbyt duża siła może negatywnie wpłynąć na funkcjonowanie systemu zabezpieczeń lub uszkodzić skrzydło.
- Jeżeli kontrola „Czułości odczytywania przeszkód” jest stosowana pomocniczo w celu zmniejszenia siły uderzenia, po każdej regulacji należy powtórzyć pomiar siły, tak jak przewidziano w normie EN 12445.
- Zużycie i warunki atmosferyczne wpływają na ruch bramy, okresowo należy powtórzyć kontrolę regulacji siły.

7.2.4) Programowanie drugiego poziomu (parametry regulowane)

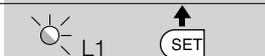
Fabrycznie, parametry regulowane są ustawione tak, jak przedstawiono w tabeli 9: „■”, ale ustawienie można zmienić w dowolnej chwili w sposób przedstawiony w tabeli 10. Należy zachować ostrożność podczas wykonywania procedury programowania, ponieważ maksymalny okres czasu między jednym a drugim naciśnięciem przycisku wynosi 10 sekund; po jego upływie procedura jest automatycznie przerywana, a wprowadzone zmiany zostają zapamiętane.

Tabela 10: aby zmienić parametry regulowane		Przykład
1.	Nacisnąć i przytrzymać wciśnięty przycisk [Set] przez około 3s	 3s
2.	Zwolnić przycisk [Set] , gdy zacznie migać dioda LED L1	
3.	Nacisnąć przyciski [▲] lub [▼] aby zamienić pozycję migającej diody na „diodę wejścia” która oznacza parametr do zmiany	
4.	Nacisnąć i przytrzymać wciśnięty przycisk [Set] ; przycisk [Set] musi być wciśnięty podczas kroków 5 i 6	
5.	Odczekać około 3 sekund, następnie zaświeci się dioda LED, przedstawiająca aktualny poziom regulowanego parametru	
6.	Nacisnąć przyciski [▲] lub [▼] , aby zamienić położenie diody wskazującej wartość parametru.	
7.	Zwolnić przycisk [Set]	
8.	Odczekać 10 sekund w celu wyjścia z programowania w wyniku upływu czasu.	 10s

Uwaga: punkty od 3 do 7 mogą być powtórzone podczas tej samej fazy programowania w celu regulacji większej liczby parametrów

7.2.5 Przykład programowania pierwszego poziomu (funkcje ON-OFF)

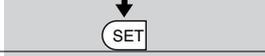
Jako przykład jest przywołana sekwencja czynności potrzebna, aby zmienić ustawienie fabryczne funkcji -włączyć funkcje „Zamykanie Automatem” (L1) i „Zawsze Zamyka” (L3).

Tabela 11: przykład programowania pierwszego poziomu		Przykład
1.	Nacisnąć i przytrzymać wciśnięty przycisk [Set] przez około 3s	
2.	Zwolnić przycisk [Set] , gdy zacznie migać dioda LED L1	
3.	Nacisnąć jeden raz przycisk [Set] aby zmienić stan funkcji powiązanej z L1 (Zamykanie automatyczne) dioda L1 wykonuje teraz długie mignięcia	
4.	Nacisnąć 2 razy przycisk [▼] aby przesunąć diodę migającą na diodę L3	
5.	Nacisnąć jeden raz przycisk [Set] aby zmienić stan funkcji powiązanej z L3 (Zawsze Zamyka), teraz dioda LED L3 wykonuje długie miganie L3	
6.	Odczekać 10 sekund w celu wyjścia z programowania w wyniku upływu czasu maksymalnego.	

Po zakończeniu tych działań, diody L1 i L3 muszą pozostać zaświecone, wskazując, że są aktywowane funkcje „Zamykanie Automatem” i „Zawsze Zamyka”.

7.2.6 Przykład programowania drugiego poziomu (parametry regulowane)

Jako przykład, podano sekwencję czynności w celu dokonania zmiany ustawienia fabrycznego parametrów i zwiększenia „Czasu Przerwy” do 60 sekund (wejście na L1 i poziom na L5) i zmniejszenia „Kontroli momentu” dla do 60% (wejście na L5 i poziom na L3).

Tabela 12: przykład programowania drugiego poziomu		Przykład
1.	Nacisnąć i przytrzymać wciśnięty przycisk [Set] przez około 3s	
2.	Zwolnić przycisk [Set] , gdy zacznie migać dioda LED L1	
3.	Nacisnąć i przytrzymać wciśnięty przycisk [Set] ; przycisk [Set] musi być wciśnięty podczas kroków 4 i 5	
4.	Odczekać około 3 sekund aż zaświeci się dioda L3, która przedstawia aktualną wartość parametru „Czas Przerwy”	
5.	Nacisnąć 2 razy przycisk [▼] aby przesunąć zaświeconą diodę na L5, która przedstawia nową wartość „Czasu Przerwy”	
6.	Zwolnić przycisk [Set]	
7.	Nacisnąć 4 razy przycisk [▼] aby przesunąć diodę migającą na diodę L5	
8.	Nacisnąć i przytrzymać wciśnięty przycisk [Set] ; przycisk [Set] musi być wciśnięty podczas kroków 9 i 10	
9.	Odczekać około 3 sekundy, aż zaświeci się dioda L5, która przedstawia aktualną wartość parametru „Moment Silnika”	
10.	Nacisnąć 2 razy przycisk [▲] aby przesunąć zaświeconą diodę na L3, która przedstawia nową wartość kontroli „Momentu Silnika”	
11.	Zwolnić przycisk [Set]	
12.	Odczekać 10 sekund w celu wyjścia z programowania w wyniku upływu czasu maksymalnego.	

7.3) Dodawanie lub usuwanie urządzeń

Przy automatyzacji z urządzeniem RUN istnieje możliwość dodawania lub usuwania dodatkowych urządzeń w dowolnym momencie. W szczególności do „BlueBUS” i do wejścia „STOP” mogą być podłączone różne rodzaje urządzeń, jak przedstawiono w następujących punktach.

Po dodaniu lub usunięciu urządzeń, należy powtórzyć wczytywanie urządzeń w sposób opisany w punkcie „7.3.6 Wczytywanie innych urządzeń”.

7.3.1) BlueBUS

BlueBUS jest technologią, która pozwala na wykonanie połączeń urządzeń kompatybilnych za pomocą jedynie dwóch przewodów, którymi jest przesyłane zasilanie elektryczne oraz zwrotne sygnały komunikacyjne. Wszystkie urządzenia są podłączane równolegle do tych samych 2 przewodów BlueBUS i bez konieczności przestrzegania biegunowości; każde urządzenie jest rozpoznawane niezależnie, ponieważ podczas montażu jest mu przypisany jeden, jednoznaczny adres. Do BlueBUS można podłączyć na przykład: fotokomórki, urządzenia

bezpieczeństwa, przyciski sterowania, diody sygnalizacyjne itp. Centrala sterująca RUN rozpoznaje kolejno wszystkie urządzenia tak podłączone podczas odpowiedniej fazy wczytywania i jest w stanie precyzyjnie wykryć wszelkie usterki. Z tego powodu, za każdym razem, gdy jest dodawane lub usuwane jakieś urządzenie podłączone do BlueBUS, należy w centrali przeprowadzić fazę wczytywania w sposób opisany w punkcie „7.3.6 Wczytywanie innych urządzeń”.

7.3.2) Wejście STOP

STOP jest wejściem, które powoduje natychmiastowe zatrzymanie manewru, po czym następuje krótka zmiana kierunku. Do tego wejścia mogą być podłączone urządzenia z wyjściem ze stykiem normalnie otwartym „NO”, normalnie zamkniętym „NC”, albo urządzenia z wyjściem o stałej oporności 8,2 kΩ, jak na przykład listwy krawędziowe.

Podobnie, jak w przypadku BlueBUS, centrala rozpoznaje rodzaj urządzenia podłączonego do wejścia STOP podczas fazy wczytywania (patrz punkt „7.3.6 Wczytywanie innych urządzeń”); każda zmiana w porównaniu do wczytanego stanu spowoduje wykonanie polecenia „STOP”.

Za pomocą odpowiednich działań, istnieje możliwość podłączenia do wejścia STOP więcej niż jednego urządzenia, nawet różnych rodzajów:

- Większą liczbę urządzeń NO można połączyć między sobą równolegle bez żadnego ograniczenia.

- Większą liczbę urządzeń NC można połączyć między sobą szeregowo bez żadnego ograniczenia.
- Dwa urządzenia z wyjściem o stałej rezystancji 8,2 kΩ można podłączyć równolegle. Jeżeli urządzeń jest więcej niż 2, można je połączyć kaskadowo z jedną rezystancją końcową 8,2 kΩ.
- Możliwa jest kombinacja NO i NC poprzez równoległe połączenie obu styków i dołączeniem szeregowo do styku NC oporu 8,2 kΩ (pozwala to także na kombinację 3 urządzeń: NO, NC i 8,2 kΩ).

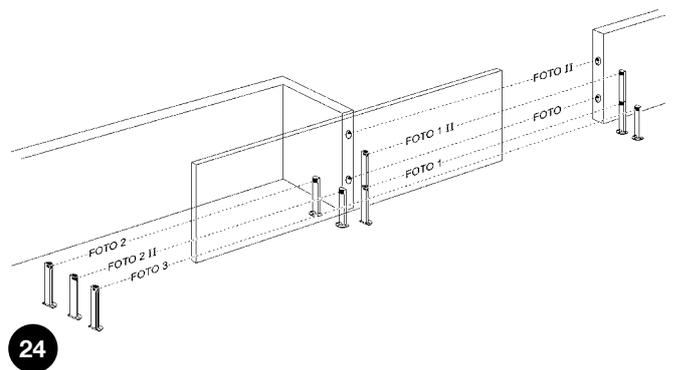
⚠ Jeśli wejście STOP jest używane do podłączenia urządzeń z funkcjami bezpieczeństwa, jedynie urządzenia ze stałym oporem 8,2kΩ zapewniają 3 kategorię odporności na usterki według normy EN 954-1.

7.3.3) Fotokomórki

System „BlueBUS” pozwala, poprzez adresowanie przy pomocy odpowiednich mostków, na rozpoznanie fotokomórek przez centralę i przydzielenie właściwej funkcji odczytu. Nadawanie adresu dotyczy nadajnika i odbiornika (wykonujemy mostek w ten sam sposób) po upewnieniu się, że inne pary fotokomórek nie posiadają tego samego adresu.

W automatyce bram przesuwanych z siłownikiem RUN, możliwe jest zainstalowanie fotokomórek w sposób przedstawiony na rys. 24.

Po zamontowaniu lub usunięciu fotokomórek, należy wykonać w centrali fazę wczytywania opisaną w punkcie „7.3.6 Wczytywanie innych urządzeń”.



24

Tabela 13: adresy fotokomórek

Fotokomórka	Mostki	Fotokomórka	Mostki
FOTO Fotokomórka zewnętrzna h = 50 z działaniem podczas zamykania		FOTO 2 Fotokomórka zewnętrzna działająca przy otwieraniu	
FOTO II Fotokomórka zewnętrzna h = 100 z działaniem podczas zamykania		FOTO 2 II Fotokomórka wewnętrzna działająca przy otwieraniu	
FOTO 1 Fotokomórka wewnętrzna h = 50 z działaniem podczas zamykania		FOTO 3 Pojedyncza fotokomórka obejmująca całą automatykę	
FOTO 1 II Fotokomórka wewnętrzna h = 100 z działaniem podczas zamykania		⚠ Montaż FOTO 3 razem z FOTO II wymaga, aby położenie elementów, z których składa się fotokomórka (TX - RX), było zgodne z ostrzeżeniem podanym w instrukcji obsługi fotokomórek.	

7.3.4) Czujnik fotooptyczny FT210B

Czujnik fotooptyczny FT210B łączy w jedno urządzenie system ograniczania siły (typu C zgodnie z normą EN 12453) oraz czujnik obecności, wykrywający przeszkody znajdujące się w osi optycznej pomiędzy nadajnikiem TX a odbiornikiem RX (typ D zgodnie z normą EN12453). W czujniku fotooptycznym FT210B sygnały stanu listwy krawędziowej przesyłane są poprzez promień fotokomórki, łącząc w ten sposób 2 systemy w jedno urządzenie. Fotokomórka nadajnika, znajdująca się na ruchomym skrzydle zasilana jest baterią litową, eliminując w ten sposób nieestetyczne systemy połączeń; specjalne układy natomiast ograniczają zużycie baterii gwarantując jej trwałość przez okres do 15 lat (patrz szczegóły dotyczące szacowania trwałości w instrukcji obsługi produktu).

Tylko jedno urządzenie FT210B powiązane z listwą krawędziową (na przykład TCB65) pozwala na osiągnięcie poziomu bezpieczeństwa „główniej listwy krawędziowej”, wymaganego przez normę EN 12453, niezależnie od „sposobu użytkowania” i „sposobu uruchamiania”.

Czujnik fotooptyczny FT210B przypisany do listew krawędziowych typu „opornościowego” (8,2Kohm), jest odporny na pojedyncze uszkodzenie (kategoria 3 zgodnie z EN 954-1). Posiada on specjalny obwód antykolizyjny, który pozwala uniknąć zakłóceń z innych czujników, także niesynchronizowanych i pozwala na dodanie innych fotokomórek, na przykład, w razie przejazdu ciężkich pojazdów, gdzie zazwyczaj instaluje się drugą fotokomórkę na wysokości 1m od podłoża.

Dodatkowe informacje na temat sposobów podłączania i adresowania zawarte są w instrukcji FT210B.

7.3.5) RUN w trybie „Slave”

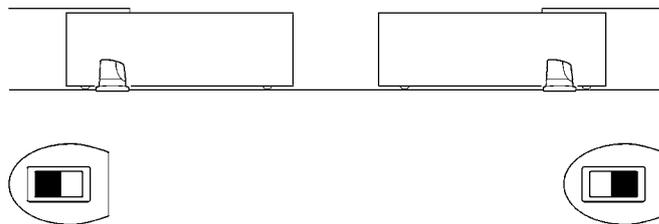
Odpowiednio zaprogramowane i podłączone urządzenie RUN może działać w trybie „Slave”; ten tryb działania wykorzystywany jest w przypadku potrzeby zautomatyzowania 2 przeciwległych skrzydeł, gdy zamiarem jest uzyskanie zsynchronizowanych ruchów obu skrzydeł bramy. W tym trybie, jeden RUN działa jako Master, to znaczy steruje manewrem, natomiast drugi RUN pracuje w trybie Slave, to znaczy wykonuje polecenia wysyłane przez Master (fabrycznie wszystkie siłowniki RUN są zaprogramowane jako Master). W celu skonfigurowania siłownika RUN jako Slave, należy uruchomić funkcję pierwszego poziomu „Tryb Slave” (patrz tabela 7).

Połączenie pomiędzy RUN Master a RUN Slave odbywa się za pośrednictwem BlueBUS.

▲ W tym przypadku, należy zachować biegunowość połączeń między obydwoma siłownikami RUN, jak przedstawiono na rysunku 26 (pozostałe urządzenia nie muszą mieć zachowanej biegunowości).

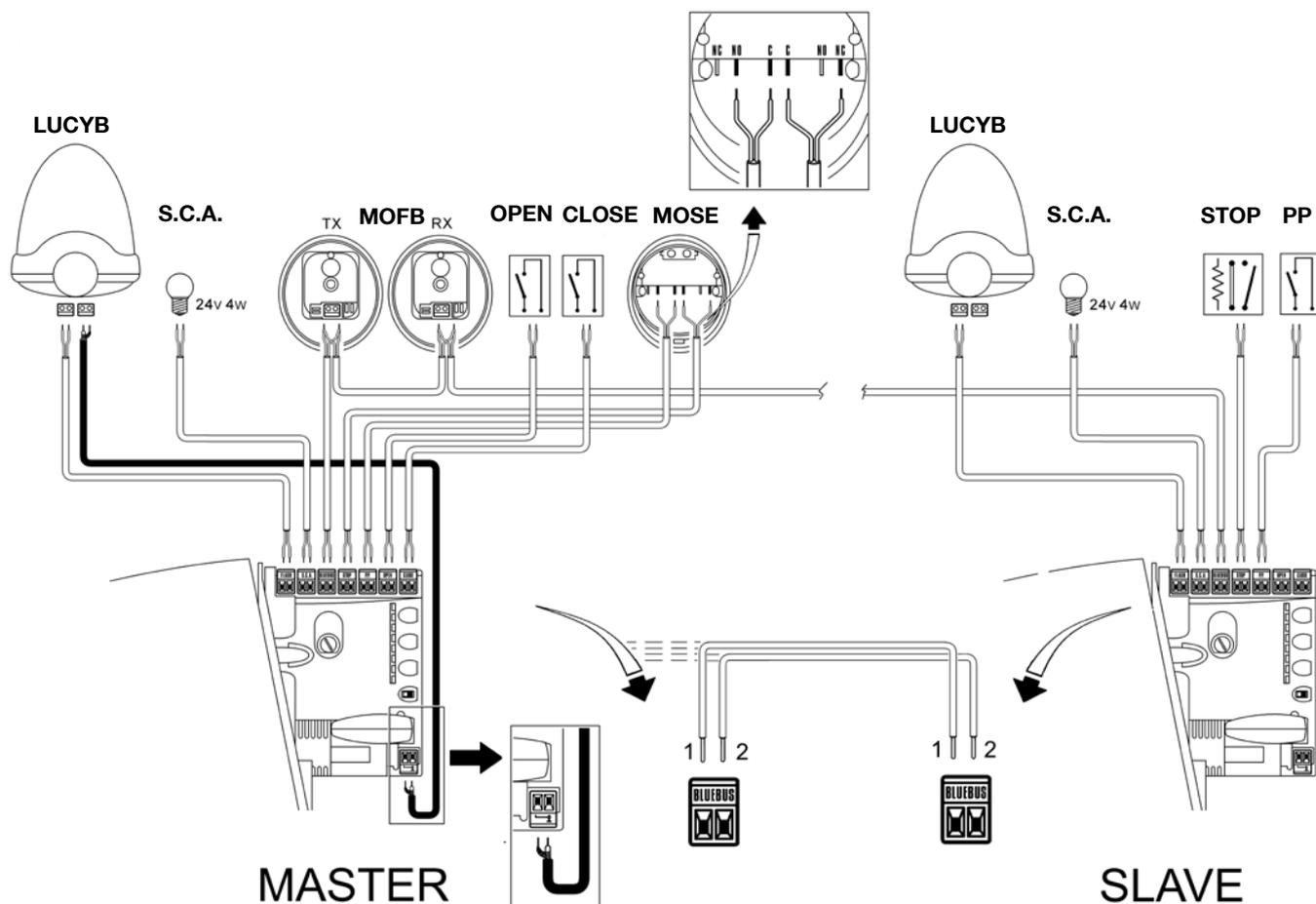
W celu zainstalowania 2 urządzeń RUN w trybie Master i Slave, należy wykonać następujące czynności:

- Wykonać montaż 2 silników w sposób przedstawiony na rys. 25. Jest obojętne, który z silników funkcjonował będzie jako Master, a który jako Slave; podczas wyboru należy uwzględnić wygodę połączeń oraz fakt, że polecenie Krok po Kroku w Slave umożliwia całkowite otwarcie wyłącznie skrzydła Slave.



25

- Połączyć dwa silniki, jak przedstawiono na rysunku 26.
- Wybrać kierunek manewru otwierania 2 silników, jak przedstawiono w punkcie „4.1 Wybór kierunku”.
- Podłączyć zasilanie do 2 silników.
- W urządzeniu RUN Slave, zaprogramować funkcję „Tryb Slave” (patrz tabela 7).
- Wykonać rozpoznanie urządzeń podłączonych do RUN Slave (patrz punkt „4.3 Wczytywanie urządzeń”).
- Wykonać rozpoznanie urządzeń podłączonych do RUN Master (patrz punkt „4.3 Wczytywanie urządzeń”).
- Dokonać pomiaru długości skrzydeł bramy na RUN Master (patrz punkt „4.4 Wczytywanie długości skrzydła”).



26

W połączeniu 2 siłowników RUN w trybie Master - Slave, należy zwrócić uwagę aby:

- Wszystkie urządzenia były podłączone do RUN Master (jak na rysunku 26), w tym także odbiornik radiowy.
- Wszystkie programowania RUN Slave są ignorowane (przeważają te z RUN Master) za wyjątkiem tych, które wskazano w tabeli 14.

TABELA 14: programowanie w RUN Slave niezależne od RUN Master

Funkcje pierwszego poziomu (funkcje ON – OFF)	Funkcje drugiego poziomu (parametry regulowane)
Stand-by	Poziom czułości odczytu przeszkód
Moment startowy	Wyjście SCA
Tryb Slave	Kontrola momentu obrotowego silnika
	Wykaz anomalii

Do Slave można podłączyć:

- własną lampę ostrzegawczą (Flash)
- własną Kontrolkę Otwartej Bramy (S.C.A.)
- własną listwę krawędziową (Stop)
- własny pulpit sterowniczy (P.P.), sterujący całkowitym otwarciem skrzydła Slave.
- W urządzeniu Slave, wejścia Open i Close nie są używane

7.3.6) Wczytywanie innych urządzeń

Zazwyczaj, wczytywanie urządzeń podłączonych do BlueBUS i do wejścia STOP jest wykonywana podczas instalacji systemu; jednak po każdym dodaniu lub usunięciu urządzenia możliwe jest powtórzenie wczytywania w sposób przedstawiony w tabeli 15.

Tabela 15: wczytywanie innych urządzeń

	Przykład
1. Nacisnąć i przytrzymać wciśnięte przyciski [▲] i [Set]	
2. Zwolnić przyciski, gdy diody LED L1 i L2 zaczną bardzo szybko migać (po około 3 sekundach).	
3. Odczekać kilka sekund, aż centrala zakończy wczytywanie urządzeń.	
4. Po zakończeniu wczytywania, diody L1 i L2 przestaną migać, dioda STOP musi pozostać zaświecona, natomiast diody L1...L8 zaświecą się zgodnie ze stanem funkcji ON-OFF, które obrazują.	

▲ Po dodaniu lub usunięciu urządzeń, konieczne jest ponowne wykonanie odbioru automatyki zgodnie ze wskazówkami zawartymi w punkcie „5.1 Próby odbiorcze”.

7.4) Funkcje specjalne

7.4.1) Funkcja „Otwiera zawsze”

Funkcja „Otwiera zawsze” jest właściwością centrali sterującej, która umożliwia wykonanie manewru otwarcia, kiedy polecenie „Krok po Kroku” trwa dłużej niż 2 sekundy; jest to przydatne, na przykład, w celu podłączenia do zacisku P.P.(Krok po kroku) styku zegara.

programującego tak, aby brama była stale otwarta o pewnej porze dnia. Ta funkcja jest aktywna bez względu na sposób zaprogramowania wejścia Krok po Kroku, za wyjątkiem programowania „Zespół mieszkalny 2”, patrz parametr „Funkcja Krok po Kroku” w tabeli 9.

7.4.2) Funkcja „Otwórz awaryjnie”

W przypadku, kiedy urządzenie bezpieczeństwa nie działa prawidłowo lub nie działa w ogóle, istnieje możliwość sterowania i przesuwania bramy w trybie „Manualnym”.

W celu uzyskania szczegółów, należy się zapoznać z punktem „Sterowanie w przypadku nie działających zabezpieczeń”, znajdującym się w załączniku „Instrukcje i ostrzeżenia przeznaczone dla użytkownika siłownika RUN”.

7.4.3) System kontroli ogrzewania i chłodzenia

RUN posiada bardzo wyszukany system kontroli temperatury silnika. Wartość temperatury wewnętrznej w RUN jest odczytywana przy użyciu specjalnego czujnika i wykorzystywana do zarządzania systemem klimatyzacji, który jest w stanie ogrzewać silnik, gdy tempe-

ratura zewnętrzna obniży się poniżej progu wynoszącego około 0°C (jeżeli funkcja „Ogrzewanie” została włączona przy użyciu jednostki zdalnego programowania „OperaView”); lub przyspieszyć chłodzenie silnika, gdy temperatura przekroczy około 40°C

7.4.4) Wezwanie do konserwacji

Siłownik RUN umożliwia przypomnienie użytkownikowi, kiedy należy dokonać kontroli konserwacyjnej automatyki. Liczba manewrów, po której następuje wezwanie podzielone jest na 8 poziomów za pomocą zmiennego parametru „Wezwanie do konserwacji” (patrz tabela 9). Poziom 1 regulacji jest „automatyczny” i bierze pod uwagę ciężkość manewrów, to znaczy siłę i czas trwania manewru, natomiast pozostałe regulacje są określone na podstawie liczby manewrów.

Sygnalizacja potrzeby konserwacji następuje poprzez miganie lampy ostrzegawczej Flash lub lampy podłączonej do wyjścia S.C.A., gdy jest ono zaprogramowane jako „Kontrolka konserwacji” (patrz tabela 9). Na podstawie liczby wykonanych manewrów w stosunku do zaprogramowanego limitu, lampa ostrzegawcza Flash i kontrolka konserwacji migają w sposób opisany w tabeli 16.

Tabela 16: wezwanie do konserwacji przy pomocy Flash i kontrolki konserwacji

Liczba manewrów	Sygnalizacja Flash	Sygnalizacja kontrolki konserwacji
Poniżej 80% limitu	Normalna (0,5 zaświecona, 0,5 s zgaszona)	Włączona przez 2s na początku otwierania
Pomiędzy 81 a 100% limitu	Na początku manewru, pozostaje włączone przez 2s, a następnie przechodzi do trybu normalnego.	Pulsuje przez cały czas trwania manewru
Ponad 100% limitu	Na początku manewru pozostaje włączone przez 2s, a następnie przechodzi do trybu normalnego.	Pulsuje zawsze.

Kontrola liczby wykonanych manewrów

Przy pomocy funkcji „Wezwanie do konserwacji” możliwe jest ustalenie liczby manewrów wykonanych jako odsetek założonej granicy. W celu dokonania tej kontroli, należy postępować w sposób opisany w tabeli 17.

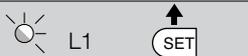
Tabela 17: kontrola liczby wykonanych manewrów Przykład

1.	Nacisnąć i przytrzymać wciśnięty przycisk [Set] przez około 3s	
2.	Zwolnić przycisk [Set] , gdy zacznie migać dioda LED L1	
3.	Nacisnąć przyciski [▲] lub [▼] , aby zmienić migającą diodę LED na L7, tzn. „diodę wejściową” dla parametru „Wezwanie do konserwacji”	
4.	Nacisnąć i przytrzymać wciśnięty przycisk [Set] , przycisk [Set] musi być wciśnięty pomiędzy krokiem 5, 6 i 7	
5.	Odczekać około 3 sekund, następnie zaświeci się dioda przedstawiająca bieżący poziom parametru „Wezwanie do konserwacji”	
6.	Nacisnąć i natychmiast zwolnić przyciski [▲] i [▼] .	
7.	Dioda odpowiadająca wybranemu poziomowi wykona kilka mignięć. Liczba mignięć oznacza procentowy wskaźnik wykonanych manewrów (wielokrotność 10%) w stosunku do ustawionej granicy. Na przykład: przy wezwaniu do konserwacji ustawionym na na L5, a więc na 10000, 10% odpowiada 1000 manewrów; jeśli dioda sygnalizacyjna wykona 4 mignięcia, oznacza to, że osiągnięto 40% manewrów (czyli liczbę pomiędzy 4000 a 4999 manewrów). Jeżeli nie osiągnięto 10% założonych manewrów, nie nastąpi miganie.	
8.	Zwolnić przycisk [Set]	

Zerowanie licznika manewrów

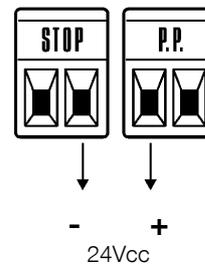
Po wykonaniu konserwacji instalacji, należy wyzerować licznik manewrów. Należy postępować w sposób opisany w tabeli 18.

Tabela 18: zerowanie licznika manewrów Przykład

1.	Nacisnąć i przytrzymać wciśnięty przycisk [Set] przez około 3s	
2.	Zwolnić przycisk [Set] , gdy zacznie migać dioda LED L1	
3.	Nacisnąć przyciski [▲] lub [▼] , aby zmienić migającą diodę LED na L7, tzn. „diodę wejściową” dla parametru „Wezwanie do konserwacji”	
4.	Nacisnąć i przytrzymać wciśnięty przycisk [Set] ; przycisk [Set] musi być wciśnięty podczas kroków 5 i 6	
5.	Odczekać około 3 sekund, następnie zaświeci się dioda przedstawiająca bieżący poziom parametru „Wezwanie do konserwacji”	
6.	Nacisnąć i przytrzymać wciśnięte przez przynajmniej 5 sekund przyciski [▲] i [▼] , następnie zwolnić 2 przyciski. Dioda odpowiadająca wybranemu poziomowi wykona całą serię szybkich mignięć, sygnalizując, że licznik manewrów został wyzerowany.	
7.	Zwolnić przycisk [Set]	

7.5) Podłączenie innych urządzeń

Jeśli istnieje potrzeba zasilania urządzeń zewnętrznych, jak na przykład czytnik dla kart zbliżeniowych lub światła oświetlającego przełącznik kluczowy, można w tym celu pobrać zasilanie w sposób przedstawiony na rys. 27. Napięcie sieciowe wynosi 24Vcc -30% ÷ +50% z maksymalnym dostępnym prądem o wartości 100mA.



7.6) Rozwiązywanie problemów

W tabeli 19 zamieszczono przydatne wskazówki w celu rozwiązania problemów, jakie mogą się pojawić podczas montażu lub w przypadku uszkodzenia.

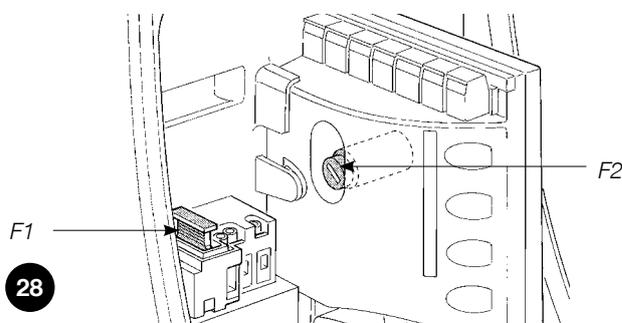


Tabela 19: wyszukiwanie usterek

Objawy	Zalecane kontrole
Nadajnik radiowy nie steruje bramą i nie następuje zaświecenie się diody na nadajniku	Sprawdzić, czy baterie nadajnika nie wyczerpały się, ewentualnie je wymienić
Nadajnik radiowy nie steruje bramą, ale następuje zaświecenie się diody	Sprawdzić, czy nadajnik jest prawidłowo wczytany do odbiornika radiowego.
Nie można wykonać żadnego manewru i dioda „BlueBUS” nie miga	Sprawdzić, czy siłownik RUN jest zasilany napięciem z sieci Sprawdzić, czy bezpieczniki nie są przepalone; w takim przypadku należy ustalić przyczynę usterki, a następnie wymienić bezpieczniki na nowe o takiej samej wartości prądu i innych cechach.
Nie można sterować żadnym manewrem i miganie jest nieaktywne	Sprawdzić, czy polecenie jest rzeczywiście odbierane. Jeśli polecenie dochodzi do wejścia PP, odpowiednia dioda „PP” musi się zaświecić; w przypadku użycia nadajnika radiowego, dioda „BlueBUS” musi wykonać dwa szybkie mignięcia.
Nie można sterować żadnym manewrem i lampka ostrzegawcza wykona kilka mignięć	Policzyć liczbę mignięć i sprawdzić informacje w tabeli 21.
Manewr rozpoczyna się, lecz zaraz po tym następuje odwrócenie ruchu bramy	Wybrana czułość odczytu przeszkód może być zbyt wysoka dla tego typu bramy. Sprawdzić, czy nie występują przeszkody i ewentualnie wybrać niższą czułość. Sprawdzić, czy podczas manewru występuje napięcie na zacisku FLASH lampy ostrzegawczej (ponieważ jest to sygnał przerywany, wartość napięcia nie ma znaczenia: około 10-30Vps); jeśli napięcie występuje, przyczyną będzie uszkodzona żarówka, którą należy wymienić na inną o takich samych parametrach; w przypadku braku napięcia, przyczyną usterki może być przeciążenie na wyjściu FLASH. Sprawdzić, czy nie ma zwarcia na przewodzie. Sprawdzić rodzaj funkcji zaprogramowanej dla wyjścia SCA (L4 w tabeli 9).
Manewr jest wykonywany w sposób prawidłowy, ale nie działa lampka ostrzegawcza	W chwili, gdy kontrolka powinna być zapalona, należy sprawdzić napięcie na zacisku SCA (około 24 Vcc); jeśli występuje napięcie, przyczyną będzie uszkodzona kontrolka, którą należy wymienić na inną o takich samych parametrach; w przypadku braku napięcia, prawdopodobnie wystąpiło przeciążenie na wyjściu SCA. Sprawdzić, czy nie ma zwarcia na przewodzie.

7.6.1) Wykaz dotychczasowych anomalii

RUN umożliwi wyświetlenie ewentualnych anomalii, jakie pojawiły się w czasie ostatnich 8 manewrów, na przykład przerwanie manewru z powodu zadziałania fotokomórki lub listwy krawędziowej. W celu dokonania kontroli listy anomalii, należy postępować w sposób podany w tabeli 20.

Tabela 20: wykaz anomalii Przykład

1. Nacisnąć i przytrzymać wciśnięty przycisk [Set] przez około 3s	
2. Zwolnić przycisk [Set] , gdy zacznie migać dioda LED L1	
3. Nacisnąć przyciski [▲] lub [▼] aby zmienić położenie migającej diody na L8, to znaczy „dioda wejściowej” dla parametru „Wykaz anomalii”	
4. Nacisnąć i przytrzymać wciśnięty przycisk [Set] ; przycisk [Set] musi być wciśnięty podczas kroków 5 i 6	
5. Odczekać około 3 sekund, następnie nastąpi zaświecenie się diod odpowiadających za manewry, podczas których pojawiły się anomalie. Dioda L1 wskazuje wynik ostatniego manewru, dioda L8 wskazuje wynik ósmego manewru. Jeżeli dioda jest zaświecona, oznacza to, że podczas manewru miały miejsce anomalie, jeśli dioda jest zgaszona, oznacza to, że manewr został wykonany bez wystąpienia żadnej anomalii.	
6. Nacisnąć przyciski [▲] i [▼] w celu dokonania wyboru odpowiedniego manewru: Odpowiednia dioda wykona liczbę mignięć równą liczbie, jaka normalnie pojawia się lampie ostrzegawczej po wystąpieniu anomalii (patrz tabela 21).	
7. Zwolnić przycisk [Set]	

7.7) Diagnostyka i sygnalizacja

Niektóre urządzenia mają możliwość emitowania specjalnych sygnałów, za pomocą których można łatwo określić stan działania lub ewentualne usterki urządzeń.

7.7.1) Sygnalizacja za pomocą lampy ostrzegawczej

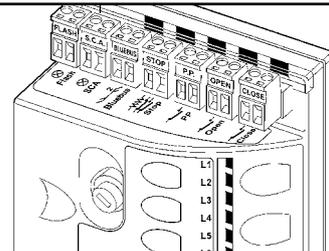
Lampa ostrzegawcza podłączona do wyjścia FLASH podczas ruchu bramy miga z częstotliwością jednego mignięcia na sekundę; kiedy pojawia się usterka, podawane są dwie krótkie serie krótkich mignięć w odstępach jednosekundowych.

Tabela 21: sygnalizacja lampy ostrzegawczej FLASH

Szybkie miganie	Przyczyna	DZIAŁANIE
1 mignięcie jednosekundowa przerwa 1 mignięcie	Błąd w BlueBUS	Na początku manewru, kontrola urządzeń podłączonych do BlueBUS nie rozpoznała tych, które zostały zapamiętane podczas fazy wczytywania. Możliwe, że któreś z urządzeń jest uszkodzone; należy je wówczas sprawdzić i wymienić; jeśli zostały wprowadzone zmiany, należy powtórzyć wczytywanie (7.3.4 Wczytywanie innych urządzeń).
2 mignięcie jednosekundowa przerwa 2 mignięcie	Zadziałanie fotokomórki	Na początku manewru jedna lub więcej fotokomórek nie daje zgody na ruch. Sprawdzić, czy nie występują przeszkody. Podczas ruchu jest to normalne, jeśli rzeczywiście pojawia się jakaś przeszkoda.
3 mignięcie jednosekundowa przerwa 3 mignięcie	Zadziałanie „Odczytywania przeszkód”	Podczas ruchu brama napotkała zwiększony opór; sprawdzić jego przyczynę
4 mignięcie jednosekundowa przerwa 4 mignięcie	Zadziałanie wejścia STOP	Na początku manewru lub podczas ruchu zadziałało wejście STOP; sprawdzić przyczynę.
5 mignięcie jednosekundowa przerwa 5 mignięcie	Błąd parametrów wewnętrznych centrali elektronicznej	Odczekać co najmniej 30 sekund i ponowić próbę manewru; jeśli efekt jest taki sam, może się okazać, że jest to poważna usterka i wymaga wymiany płyty elektronicznej.
6 mignięcie jednosekundowa przerwa 6 mignięcie	Przekroczono maksymalny limit liczby manewrów na godzinę.	Odczekać kilka minut, aby ogranicznik liczby manewrów powrócił do stanu przed maksymalną liczbą graniczną manewrów.
7 mignięcie jednosekundowa przerwa 7 mignięcie	Błąd w wewnętrznych obwodach elektrycznych	Rozłączyć wszystkie obwody zasilania na kilka sekund, następnie spróbować powtórnie wydać polecenie; jeżeli stan się nie zmienia, może się okazać, że jest to poważna usterka i wymaga wymiany płyty elektronicznej.
8 mignięcie jednosekundowa przerwa 8 mignięcie	Wydano już polecenie, które uniemożliwia wykonanie innych poleceń.	Sprawdzić rodzaj wydanego polecenia, na przykład może to być polecenie wydane przez zegar do wejścia „otwiera”.

7.7.2) Sygnalizacja na centrali

W centrali RUN znajduje się zestaw diod LED, z których każda może dostarczyć specyficznych sygnałów, zarówno podczas normalnej pracy, jak i w przypadku wystąpienia usterki.



29

Tabela 22: diody LED na zaciskach centrali

Dioda BLUEBUS	Przyczyna	DZIAŁANIE
Zgaszona	Anomalia	Sprawdzić, czy jest obecne zasilanie; sprawdzić czy nie zadziałały bezpieczniki; w takim przypadku sprawdzić przyczynę ich zadziałania a potem wymienić je na nowe o tych samych wartościach.
Zaświecona	Poważna anomalia	Obecność poważnej anomalii; wyłączyć centralę na kilka sekund; jeżeli stan się utrzyma, oznacza to, że wystąpiła usterka i należy wymienić płytę elektroniczną.
Jedno mignięcie na sekundę	Wszystko OK	Normalne działanie centrali
2 szybkie mignięcia	Nastąpiła zmiana stanów wejść	Jest to prawidłowe zachowanie, gdy nastąpi zmiana stanu któregoś z wejść: PP, STOP, OPEN, CLOSE, ma miejsce interwencja fotokomórek lub zostaje użyty nadajnik radiowy.
Serie mignięć oddzielonych przerwą jednosekundową.	Różne	Jest to ta sama sygnalizacja, jak na lampie ostrzegawczej. Patrz tabela 21.
Dioda STOP	Przyczyna	DZIAŁANIE
Zgaszona	Zadziałanie wejścia STOP	Sprawdzić urządzenia podłączone do wejścia STOP
Zaświecona	Wszystko OK	Aktywne wejście STOP
Dioda Krok po Kroku	Przyczyna	DZIAŁANIE
Zgaszona	Wszystko OK	Wejście PP nieaktywne
Zaświecona	Zadziałanie wejścia PP	Jest to normalne, jeśli rzeczywiście jest aktywne urządzenie podłączone do wejścia PP.
Dioda OTWIERA	Przyczyna	DZIAŁANIE
Zgaszona	Wszystko OK	Wejście OTWIERA nieaktywne
Zaświecona	Zadziałanie wejścia OTWIERA	Normalne, jeśli rzeczywiście jest aktywne urządzenie podłączone do wejścia OTWIERA
Dioda ZAMYKA	Przyczyna	DZIAŁANIE
Zgaszona	Wszystko OK	Wejście ZAMYKA nieaktywne
Zaświecona	Zadziałanie wejścia ZAMYKA	Normalne, jeśli rzeczywiście jest aktywne urządzenie podłączone do wejścia ZAMYKA

Tabela 23: diody LED na przyciskach centrali

Dioda 1	Opis
Zgaszona	Podczas normalnej pracy wskazuje „Zamykanie automatyczne” nieaktywne
Zaświecona	Podczas normalnej pracy wskazuje „Zamykanie automatyczne” aktywne
Miga	<ul style="list-style-type: none"> • Programowanie funkcji w toku • Jeżeli miga razem z L2, oznacza to, że należy wykonać fazę wczytywania urządzeń (patrz punkt „4.3 Wczytywanie urządzeń”).
Dioda L2	Opis
Zgaszona	Podczas normalnej pracy wskazuje „Zamknij po Foto” nieaktywne.
Zaświecona	Podczas normalnej pracy wskazuje „Zamknij po Foto” aktywne.
Miga	<ul style="list-style-type: none"> • Programowanie funkcji w toku • Jeżeli miga razem z L1, oznacza to, że należy wykonać fazę wczytywania urządzeń (patrz punkt „4.3 Wczytywanie urządzeń”).
Dioda L3	Opis
Zgaszona	Podczas normalnej pracy wskazuje „Zawsze Zamyka ” nieaktywne.
Zaświecona	Podczas normalnej pracy wskazuje „Zawsze Zamyka” aktywne.
Miga	<ul style="list-style-type: none"> • Programowanie funkcji w toku • Jeżeli miga razem z L4, wskazuje, że należy wykonać fazę wczytania długości skrzydła (patrz punkt 4.4 „Wczytywanie długości skrzydła”).
Dioda L4	Opis
Zgaszona	Podczas normalnej pracy wskazuje „Stand-By” nieaktywne.
Zaświecona	Podczas normalnej pracy wskazuje „Stand-By” aktywne.
Miga	<ul style="list-style-type: none"> • Programowanie funkcji w toku • Jeśli miga razem z L3, wskazuje, że należy wykonać fazę wczytywania długości skrzydła (patrz punkt 4.4 „Wczytywanie długości skrzydła”).
Dioda L5	Opis
Zgaszona	Podczas normalnej pracy wskazuje „Moment startowy” nieaktywny.
Zaświecona	Podczas normalnej pracy wskazuje „Moment startowy” aktywny.
Miga	Programowanie funkcji w toku
Dioda L6	Opis
Zgaszona	Podczas normalnej pracy wskazuje „Miganie wstępne” nieaktywne.
Zaświecona	Podczas normalnej pracy wskazuje „Miganie wstępne” aktywne.
Miga	Programowanie funkcji w toku
Dioda L7	Opis
Zgaszona	Podczas normalnego działania oznacza, że wejście ZAMYKA aktywuje manewr zamykania.
Zaświecona	Podczas normalnego działania wskazuje że wejście ZAMYKA aktywuje manewr częściowego otwarcia.
Miga	Programowanie funkcji w toku
Dioda L8	Opis
Zgaszona	Podczas normalnego działania informuje, że RUN został skonfigurowany jako Master.
Zaświecona	Podczas normalnego działania informuje, że RUN został skonfigurowany jako Slave.
Miga	Programowanie funkcji w toku

7.8) Urządzenia dodatkowe

Dla RUN dostępne są następujące akcesoria opcjonalne:

- SMXI lub SMXIS: Odbiornik radiowy 433,92 MHz z szyfrowaniem cyfrowym Rolling Code.
- ONEXI: Odbiornik radiowy 433,92 MHz z szyfrowaniem cyfrowym Rolling Code, z Trybem III do przesyłu 15 typów poleceń do centrali.

- OperaView; Jednostka do zdalnego programowania. Zapoznać się z katalogiem produktów Nice S.p.a., gdzie znajduje się zaktualizowany wykaz wszystkich akcesoriów.

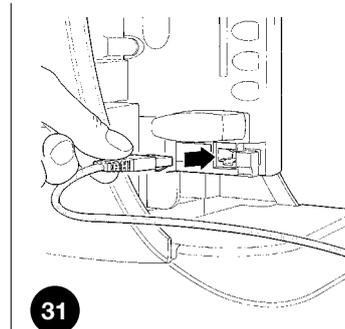
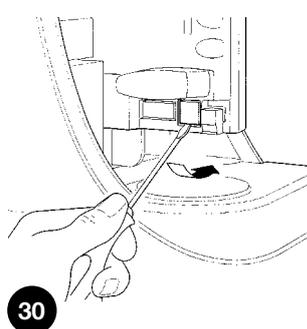
7.8.1) Jednostka do zdalnego programowania

W przypadku złącza BusT4 (patrz rys. 30), można podłączyć jednostkę zdalnego programowania Oview, która umożliwia całkowite i szybkie zarządzanie instalacją, konserwacją i diagnostyką ewentualnych usterek.

W celu uzyskania dostępu do złącza, należy zdjąć przelotkę, patrz rys. 31. Jednostka do zdalnego programowania może być ustawiona w pewnej odległości od centrali (do 100m); może być podłączona równocześnie do większej liczby centrali (max. 16) i może pozostać podłączona również podczas normalnego funkcjonowania siłownika RUN; w tym przypadku, specjalne menu użytkownika umożliwia przesłanie poleceń do centrali. Jeżeli do centrali został podłączony odbiornik radiowy typu Oxi lub Oxit, przy użyciu jednostki zdalnego programowania można uzyskać dostęp do parametrów wczytanych nadajników.

Dla tych funkcji konieczny jest przewód łączący z 4 żyłami (BusT4). Możliwe jest również dokonanie aktualizacji firmware centrali RUN. Dodatkowe informacje znajdują się w instrukcji programatora Oview.

WAŻNE – W celu uzyskania szczegółowych informacji na temat funkcji systemu NiceOpera i współzależności operacyjnej między poszczególnymi urządzeniami systemu, należy się zapoznać z instrukcją ogólną „NiceOpera System Book”, dostępną również na stronie www.niceforyou.com.



8) Parametry techniczne

W celu ulepszenia swoich produktów, Nice S.p.a. zastrzega sobie prawo wprowadzania zmian parametrów technicznych w którejkolwiek chwili i bez uprzedzenia, ale gwarantując ich funkcjonalność i przewidziane zastosowanie.

Wszystkie dane techniczne tutaj podane odnoszą się do temperatury otoczenia 20°C (±5°C).

Parametry techniczne siłownika RUN		
Model typ	RUN 1800 - RUN 1800P - RUN 1800/V1	RUN 2500 - RUN 2500P
Typ	Siłownik elektromechaniczny do automatyzacji bram przesuwanych do użytku przemysłowego wraz z elektroniczną centralą sterującą.	
Koło zębate	Liczba zębów 18; Moduł 4 *	
Maksymalny moment startowy (odpowiadający zdolności wytworzenia siły wprawiającej skrzydło w ruch)	40Nm (1110N)	50Nm (1390N)
Moment nominalny (odpowiadający zdolności wytworzenia siły podtrzymującej ruch skrzydła)	20Nm (560N)	30Nm (830N)
Prędkość (bez obciążenia)	10m/min (12m/min wersja /V1)	
Prędkość (przy nominalnym momencie obrotowym)	8,5m/min (8,9m/min wersja /V1)	
Częstotliwość maksymalna cykli roboczych (przy nominalnym momencie obrotowym)	11 cykli/godzinę (264 cykli/dzień), dla bramy o szerokości 15m (co jest równe cyklowi 63%), (centrala ogranicza cykle do maksymalnej wartości podanej w tabelach 2 i 3)**	15 cykli/godzinę (365 cykli/dzień), dla bramy o szerokości 15m (co jest równe cyklowi 88%), (centrala ogranicza cykle do maksymalnej wartości podanej w tabelach 2 i 3)**
Maksymalny czas pracy ciągłej (przy momencie nominalnym)	40 minut, (centrala ogranicza maksymalnie działanie ciągłe do czasu przewidzianego w tabelach 2 i 3)***	60 minut, (centrala ogranicza maksymalnie działanie ciągłe do czasu przewidzianego w tabelach 2 i 3)***
Ograniczenia w użytkowaniu	Siłownik RUN jest w stanie poruszać bramy o masie i długościach zgodnych z ograniczeniami zamieszczonymi w tabelach 2 i 3 oraz 4	
Trwałość	Szacowana pomiędzy 150 000 a 450 000 cykli, w zależności od warunków podanych w tabeli 4	
Zasilanie RUN 1800 - 2500	230Vac (+10% -15%) 50 Hz	
Zasilanie RUN 1800/V1-2500/V1	120Vac (+10% -15%) 60 Hz	
Maksymalny prąd pobierany przy starcie [w amperach]	700 W [3 A] [5 A wersja /V1]	870 W [3,8 A]
Moc przy nominalnym momencie obrotowym [w amperach]	400 W [1,8 A] [3 A wersja /V1]	600 W [2,7 A]
Klasa izolacji	1 (wymaga uziemienia)	
Wyjście lampy ostrzegawczej	dla dwóch lamp ostrzegawczych LUCYB (żarówka 12V, 21W)	
Wyjście S.C.A.	dla jednej lampy 24V maksymalnie 4W (napięcie wyjścia może się zmieniać w zakresie -30% +50% i może sterować także małymi przekaźnikami)	
Wyjście BLUEBUS	jedno wyjście z obciążeniem maksymalnym 15 jednostek BlueBUS	
Wejście STOP	Dla styków normalnie zamkniętych, normalnie otwartych lub o stałej oporności 8,2 kΩ; w automatycznym wczytywaniu urządzeń (każda zmiana w porównaniu do stanu zapisanego wywołuje polecenie „STOP”)	
Wejście Krok po Kroku	dla styków normalnie otwartych (zamknięcie styku wywołuje polecenie Krok po kroku)	
Wejście OTWIERA	dla styków normalnie otwartych (zamknięcie styku wywołuje polecenie OTWIERA)	
Wejście ZAMYKA	dla styków normalnie otwartych (zamknięcie styku wywołuje polecenie ZAMYKA)	
Wejście radiowe	Złącze SM dla odbiorników SMXI, SMXIS lub ONEXI	
Wejście dla ANTENY radiowej	Wejście dla ANTENY radiowej 52Ω dla przewodu typu RG58 lub podobnego	
Funkcje programowane	8 funkcji typu ON-OFF i 8 parametrów regulowanych (patrz tabele 7 i 9)	
Funkcje w automatycznym wczytywaniu	Automatyczne wczytywanie urządzeń podłączonych do wyjścia BlueBUS Automatyczne wczytywanie typu urządzenia „STOP” (styk NO, NC lub oporność 8,2 KΩ). Automatyczne wczytywanie długości bramy i obliczenie punktów zwalniania i otwarcia częściowego.	
Temperatura robocza	-20°C ÷ 50°C	
Użytkowanie w atmosferze szczególnie kwaśnej lub słonej lub potencjalnie wybuchowej	Nie	
Stopień ochrony	IP 44	
Wymiary i masa	400 x 255 h 390; 24,5 kg	

* Dostępne opcjonalne koło zębate 12 zębów moduł 6.

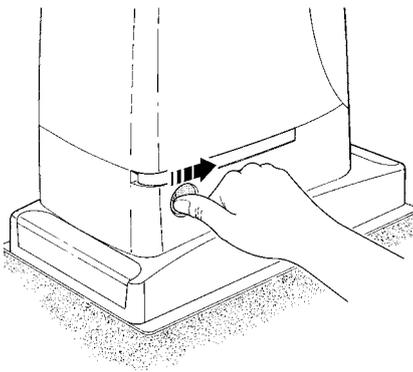
** W temperaturze 50°C i bramie 15-metrowej maksymalna częstotliwość robocza to 7 cykli/godzinę (co jest równe 40%).

*** W temperaturze 50°C maksymalny czas działania ciągłego wynosi 10 minut.

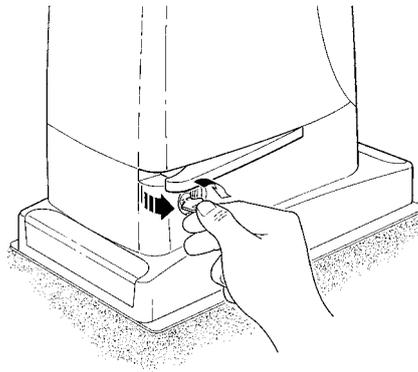
- **Przed pierwszym użyciem automatyki**, należy poprosić instalatora o wyjaśnienie, jakie zagrożenia mogą się pojawić w czasie użytkowania bramy oraz przeznaczyć kilka minut na przeczytanie **instrukcji i ostrzeżeń kierowanych do użytkownika**. Należy przechowywać instrukcje w celu późniejszych konsultacji i przekazać ją ewentualnemu, następnemu użytkownikowi bramy.
 - **Państwa automatyka jest maszyną, która dokładnie wykonuje polecenia użytkownika**; niewłaściwe lub nieuprawnione użycie może sprawić, że stanie się ona niebezpieczna: nie należy sterować ruchem bramy, jeśli w jej pobliżu znajdują się osoby, zwierzęta lub przedmioty.
 - **Dzieci**: automatyka zapewnia wysoki stopień bezpieczeństwa, uniemożliwiając, przy wykorzystaniu systemów odczytu, ruch w obecności osób lub rzeczy i zapewniając zawsze przewidywalne i bezpieczne uruchamianie. Należy zabronić dzieciom zabawy w pobliżu automatyki; aby uniknąć przypadkowego uruchomienia, nie należy pozostawiać w ich zasięgu pilotów: **to nie zabawka!**
 - **Usterki**: W razie zauważenia jakiegokolwiek niewłaściwego zachowania automatyki, należy odłączyć od niej zasilanie elektryczne i wysprzęglić ręcznie według procedury opisanej poniżej. Nie należy samodzielnie wykonywać żadnych napraw, ale należy się zwrócić o pomoc do instalatora. W międzyczasie, po odblokowaniu siłownika w sposób opisany poniżej, urządzenie może działać jako brama niezautomatyzowana.
 - **Konserwacja**: Automatyka, jak każda maszyna, wymaga okresowych czynności konserwacyjnych w celu zapewnienia bezpiecznego i długoletniego funkcjonowania. Należy uzgodnić z instalatorem program okresowych przeglądów konserwacyjnych; firma Nice zaleca, by w przypadku normalnego użytkowania wykonywać przeglądy co sześć miesięcy, ale zależy to też od intensywności użytkowania. Wszelkie kontrole, konserwacje lub naprawy muszą być wykonane wyłącznie przez wyspecjalizowany personel.
 - Nawet, jeżeli uważacie Państwo, że jesteście w stanie samodzielnie przeprowadzić konserwację, nie powinniście wprowadzać zmian w instalacji i parametrach programowania i regulacji automatyki: działania te powinny zostać wykonane przez instalatora.
 - Próba odbiorcza, konserwacja okresowa i ewentualne naprawy powinny być udokumentowane przez osoby je wykonujące i przechowywane przez właściciela instalacji
- Jedynie prace**, które mogą i powinni Państwo regularnie wykonywać, to czyszczenie szybek fotokomórek i usuwanie ewentualnych liści, kamieni i innych obiektów, które mogłyby przeszkodzić w ruchu bramy. W celu uniemożliwienia przypadkowego uruchomienia bramy, przed przystąpieniem do wykonywania dalszych działań, należy pamiętać, by **odblokować automatykę** (w sposób opisany w dalszej części instrukcji) i używać do czyszczenia wyłącznie ściereczki lekko zwilżonej wodą.
- **Utylizacja**: Po zakończeniu okresu użytkowania automatyki, należy dopilnować, by rozbiórka została przeprowadzona przez wykwalifikowany personel, i aby materiały zostały poddane recyklingowi lub utylizacji zgodnie z obowiązującymi przepisami.
 - **W wypadku uszkodzenia lub braku zasilania**: Oczekując na instalatora lub do momentu przywrócenia zasilania (jeśli urządzenie nie jest wyposażone w dodatkowy akumulator), brama może być używana jako urządzenie niezautomatyzowane, otwierane ręcznie. W tym celu, należy przeprowadzić odblokowanie ręczne (jedynie działanie dozwolone dla użytkownika): odblokowywanie zostało tak opracowane przez firmę Nice, aby zapewnić maksymalną łatwość obsługi, bez potrzeby użycia specjalnych narzędzi, czy znacznego wysiłku fizycznego.

Odblokowanie i przesuw ręczny: przed przystąpieniem do tej czynności należy pamiętać, że odblokowanie może nastąpić tylko wówczas gdy skrzydło bramy jest zatrzymane.

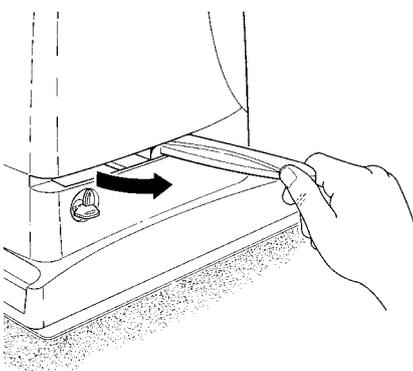
1 Przesunąć pokryw przykrywającą zamek.



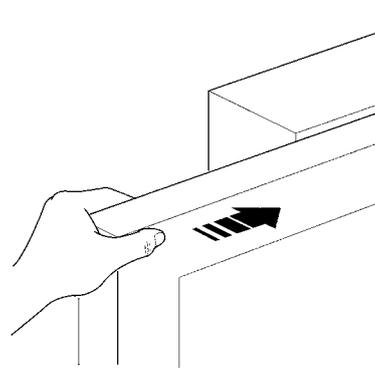
2 Włożyć i obrócić klucz w kierunku ruchu wskazówek zegara.



3 Pociągnąć rączkę odblokowania.



4 Przesunąć ręcznie skrzydło.



Aby zablokować: wykonać w odwrotnej kolejności te same czynności

Sterowanie w przypadku niedziałających zabezpieczeń: nawet, jeśli urządzenia bezpieczeństwa znajdujące się na bramie nie działają prawidłowo, możliwe jest sterowanie bramą.

- Uruchomić bramę (pilotelem, przełącznikiem kluczowym, itp.); jeśli wszystko działa prawidłowo, brama zadziała w sposób normalny, w przeciwnym razie, lampa ostrzegawcza mignie kilka razy i manewr się nie rozpocznie (liczba mignięć zależy od przyczyny, z jakiej manewr nie może się rozpocząć).
- W tym przypadku, w przeciągu trzech sekund należy ponownie **uruchomić** i **przytrzymać** uruchomiony element sterujący.
- Po około 2 sekundach rozpocznie się ruch bramy w trybie „Manualnym”, to znaczy brama przesuwa się dopóki wciskamy przycisk (lub trzymamy przekręcony kluczyk), a po ich puszczeniu natychmiast się zatrzyma.

⚠ Gdy nie działają zabezpieczenia, należy jak najprędzej naprawić system.

Wymiana baterii w pilocie: jeśli pilot po pewnym okresie użytkowania ma zmniejszony zasięg lub w ogóle przestał działać, może to być po prostu skutkiem wyczerpania się baterii (w zależności od intensywności używania, bateria wytrzyma od kilku miesięcy do ponad roku). O wyczerpaniu baterii świadczy nieświecenie się lub tylko krótkotrwałe świecenie się kontrolki potwierdzającej przesył informacji na pilocie. Przed zwróceniem się do instalatora, należy spróbować wymienić baterie na inne, wyjęte z ewentualnego innego nadajnika, działającego prawidłowo: jeśli to bateria była powodem usterki, wystarczy ją wymienić na nową, tego samego typu.

Baterie zawierają substancje niebezpieczne: nie wolno ich wyrzucać razem z odpadami komunalnymi, lecz należy stosować sposoby utylizacji przewidziane w lokalnych przepisach.

Deklaracja zgodności CE **i deklaracja włączenia maszyny nieukończonej**

Deklaracja zgodna z Dyrektywami: 2004/108/WE (EMC); 2006/42/WE (MD) załącznik II, część B

Uwaga - Zawartość niniejszej deklaracji zgodności odpowiada oświadczeniom znajdującym się w oficjalnym dokumencie złożonym w siedzibie firmy Nice S.p.a., w szczególności ostatnim zmianom dostępnym przed wydrukowaniem niniejszej instrukcji. Niniejszy tekst został dostosowany w celach wydawniczych. Kopię oryginalnej deklaracji można uzyskać w siedzibie spółki Nice S.p.a. (TV) I.

Numer: 238/RUN

Wydanie: 5

Język: PL

Nazwa producenta:

Nice s.p.a.

Adres:

Via Pezza Alta N°13, 31046 Rustignè di Oderzo (TV) Włochy

Osoba upoważniona do sporządzenia dokumentacji technicznej:

Nice s.p.a.

Typ produktu:

Siłownik elektromechaniczny z wbudowaną centralą

Model:

RUN1800, RUN2500, RUN1800P, RUN2500P

Urządzenia dodatkowe:

Odbiorniki radiowe mod. SMXI, SMXIS i ONEXI

Ja, niżej podpisany, Mauro Sordini jako Chief Executive Officer deklaruję na własną odpowiedzialność, że wyżej wymieniony produkt jest zgodny z następującymi dyrektywami:

- Dyrektywa PARLAMENTU EUROPEJSKIEGO I RADY NR 2004/108/WE z dnia 15 grudnia 2004 roku w sprawie ujednoczenia prawodawstwa państw członkowskich w zakresie kompatybilności elektromagnetycznej, znosząca dyrektywę 89/336/EWG, zgodnie z następującymi normami zharmonizowanymi: EN 61000-6-2:2005, EN 61000-6-3:2007+A1:2011

Ponadto, produkt jest zgodny z następującą dyrektywą w zakresie wymagań dotyczących maszyn nieukończonych:

Dyrektywa PARLAMENTU EUROPEJSKIEGO I RADY NR 2006/42/WE z dnia 17 maja 2006 r. dotycząca maszyn, zmieniająca dyrektywę 95/16/WE (przekształcenie)

- Niżej podpisany deklaruje, że stosowna dokumentacja techniczna została sporządzona zgodnie z załącznikiem VII B dyrektywy 2006/42/WE oraz, że spełnione zostały następujące wymagania podstawowe: 1.1- 1.1.2- 1.1.3- 1.2.1-1.2.6- 1.5.1-1.5.2- 1.5.5- 1.5.6- 1.5.7- 1.5.8- 1.5.10- 1.5.11
- Producent zobowiązuje się do przekazania władzom krajowym, w odpowiedzi na uzasadnione zapytanie, informacji dotyczących maszyny nieukończonej, zachowując całkowicie swoje prawa do własności intelektualnej.
- Jeżeli maszyna nieukończona oddana zostanie do eksploatacji w kraju europejskim, którego język urzędowy jest inny niż język niniejszej deklaracji, importer ma obowiązek dołączyć do niniejszej deklaracji stosowne tłumaczenie.
- Ostrzegamy, że maszyny nieukończonej nie należy uruchamiać do czasu, kiedy maszyna końcowa, do której zostanie włączona, nie uzyska deklaracji zgodności (jeżeli wymagana) z założeniami dyrektywy 2006/42/WE.

Ponadto, produkt jest zgodny z następującymi normami:

EN 60335-1:2012 EN 60335-2-103:2003+A11:2009

Produkt jest zgodny z następującymi normami (w zakresie mających zastosowanie części):

EN 13241-1:2003+A1:2011, EN 12445:2002, EN 12453:2002, EN 12978:2003+A1:2009

Oderzo, 1 lipca 2014

Inż. Mauro Sordini
(Chief Executive Officer)



Inhoud:**pag.**

1	Aanbevelingen	159	7.2.1	Functies eerste niveau (functies ON-OFF)	169
2	Beschrijving van het product en gebruiksbestemming	160	7.2.2	Programmering eerste niveau (functies ON-OFF)	170
2.1	Gebruikslimieten	160	7.2.3	Functies tweede niveau (instelbare parameters)	170
2.2	Voorbeeld van een installatie	162	7.2.4	Programmering tweede niveau (instelbare parameters)	171
2.3	Lijst van kabels	162	7.2.5	Voorbeeld van programmering eerste niveau (functies ON-OFF)	172
3	Installatie	163	7.2.6	Voorbeeld van programmering tweede niveau (instelbare parameters)	172
3.1	Controles vooraf	163	7.3	Bijplaatsen of wegnemen van inrichtingen	172
3.2	Bevestiging van de reductiemotor	163	7.3.1	BlueBUS	172
3.3	Bevestiging van de beugels van de eindschakelaar in de uitvoeringen met inductieve eindschakelaar	164	7.3.2	Ingang STOP	173
3.4	Installatie van de verschillende inrichtingen	165	7.3.3	Fotocellen	173
3.5	Elektrische aansluitingen	165	7.3.4	Fotosensor FT210B	173
3.6	Beschrijving van de elektrische aansluitingen	166	7.3.5	RUN in modus "Slave"	174
4	Eindcontroles en inbedrijfstelling	166	7.3.6	Herkennen van andere inrichtingen	175
4.1	Keuze van de looprichting	166	7.4	Speciale functies	175
4.2	Aansluiting van de stroomtoevoer	166	7.4.1	Functie "Open altijd"	175
4.3	Herkenning van de inrichtingen	166	7.4.2	Functie "Beweeg in ieder geval"	175
4.4	Herkenning van de vleugellengte	167	7.4.3	Controlesysteem voor verwarming en afkoeling	175
4.5	Controle van de manoeuvre van de poort	167	7.4.4	Waarschuwing voor onderhoud	175
4.6	Vooraf ingestelde functies	167	7.5	Aansluiting andere inrichtingen	176
4.7	Radio-ontvanger	167	7.6	Oplossen van problemen	177
5	Eindtest en inbedrijfstelling	167	7.6.1	Lijst historie anomalieën	177
5.1	Eindtest	168	7.7	Diagnostiek en signaleringen	177
5.2	Inbedrijfstelling	168	7.7.1	Signalering met het knipperlicht	178
6	Onderhoud en afvalverwerking	168	7.7.2	Signalering op de besturingseenheid	178
6.1	Onderhoud	168	7.8	Accessoires	179
6.2	Afvalverwerking	168	7.8 .1	Inrichting voor het op afstand programmeren	179
7	Nadere details	169	8	Technische gegevens	180
7.1	Programmeertoetsen	169		Aanwijzingen en aanbevelingen bestemd voor de gebruiker van de reductiemotor RUN	181
7.2	Programmeren	169		EG-Verklaring van Overeenstemming	183

1) Aanbevelingen

Deze handleiding bevat belangrijke informatie voor de veiligheid van de installatie. Alvorens u met de installatie gaat beginnen dient u alle in deze handleiding vervatte aanwijzingen te lezen. Bewaar deze handleiding ook voor later gebruik.

Met het oog op gevaarlijke situaties die zich tijdens de installatie en het gebruik van RUN kunnen voordoen, moeten ook tijdens de installatie de wetten, voorschriften en regels volledig in acht genomen worden. In dit hoofdstuk zullen algemene aanbevelingen gegeven worden; andere belangrijke aanbevelingen vindt u in de hoofdstukken “3.1 Controles vooraf”; “5 Eindtest en inbedrijfstelling”.

⚠ Volgens de meest recente Europese wetgeving valt het aanleggen van een automatische deur of poort onder wat voorzien is in de Europese Richtlijn 98/37/EG (Richtlijn Machines) en met name onder de voorschriften: EN 13241-1 (geharmoniseerde norm); EN 12445; EN 12453 en EN 12635, die een verklaring van vermoedelijke conformiteit aan de machinerichtlijnen mogelijk maken.

Verdere inlichtingen, richtlijnen ten aanzien van risico's en het samenstellen van het technisch dossier zijn beschikbaar op: “www.niceforyou.com”. Deze handleiding is uitsluitend bestemd voor technisch personeel dat voor de installatie gekwalificeerd is. Behalve de specifieke los te halen bijlage welke de installateur dient te verzorgen, namelijk “Aanwijzingen en aanbevelingen bestemd voor de gebruiker van de reductiemotor RUN” kan andere informatie die in dit dossier is vervat, niet als interessant voor de eindgebruiker worden beschouwd!

- Leder ander gebruik van RUN dat niet voorzien is in deze aanwijzingen is verboden; oneigenlijk gebruik kan gevaar opleveren of letsel en schade aan mensen en zaken veroorzaken.
- Voordat u met de installatie begint, dient u een analyse van de risico's te maken waarvan de lijst van essentiële veiligheidseisen zoals die in Bijlage I van de Richtlijn Machines zijn voorzien, deel uitmaakt; hierin geeft u de toegepaste oplossingen aan.
Wij maken u erop attent dat de risico-analyse één van de documenten is die deel uit maken van het “technisch dossier” van de automatisering.
- Controleer of er verdere inrichtingen nodig zijn om de automatisering met RUN op basis van de specifieke toepassings situatie en aanwezige gevaren te completeren; u dient daarbij bijvoorbeeld risico's op het gebied van botsen, beknelling, scharen, etc. en andere algemene gevaren in acht te nemen.
- Breng geen wijzigingen aan onderdelen aan, indien dit niet in deze handleiding is voorzien. Dergelijke handelingen kunnen alleen maar storingen veroorzaken. NICE wijst elke aansprakelijkheid voor schade tengevolge van gewijzigde artikelen van de hand.
- Zorg ervoor dat er tijdens het installeren niets, ook geen vloeistof, in de besturingseenheid of andere open inrichting kan komen; neem eventueel contact op met het technisch servicecentrum van NICE; het gebruik van RUN in deze situaties kan een gevaarlijke situatie doen ontstaan.
- Het automatisme mag niet gebruikt worden voordat de inbedrijfstelling heeft plaatsgevonden zoals dat in hoofdstuk: “5 Eindtest en inbedrijfstelling” is aangegeven
- De afvalverwerking van het verpakkingsmateriaal van RUN moet geheel en al volgens de plaatselijk geldende regels plaatsvinden.
- Indien er zich een storing voordoet die u niet met behulp van de in deze handleiding vervatte informatie kunt oplossen, gelieve u contact op te nemen met de technische servicedienst van NICE.
- Wanneer er een automatische schakelaar of zekering in werking is getreden, dient u alvorens die terug te stellen, de storing op te zoeken en die te verhelpen.
- Voordat u de interne klemmetjes onder de dekplaat van RUN aanraakt dient u alle circuits van stroomtoevoer los te koppelen; indien dit niet te zien is, dient u een bord aan te brengen met de tekst: “LET OP ONDERHOUDSWERKZAAMHEDEN IN UITVOERING”.

Bijzondere aanbevelingen ten aanzien van de gebruiksgeschiktheid van dit product met betrekking tot de Richtlijn “Machines” 98/37/CE (ex 89/392/CEE):

- Dit product wordt op de markt gebracht als een “machine-onderdeel” en is er dus voor gemaakt om in een machine ingebouwd te worden of met andere machines geassembleerd te worden teneinde “een machine” op grond van de Richtlijn 98/37/CE te vormen alleen in combinatie met andere onderdelen op de manier zoals dat in in deze handleiding met aanwijzingen beschreven is. Zoals dat voorzien is in de Richtlijn 98/37/CE wordt er gewaarschuwd dat het niet geoorloofd is dit product in bedrijf te stellen zolang de fabrikant van de machine waarin dit product wordt opgenomen, deze niet heeft geïdentificeerd en verklaard als conform de Richtlijn 98/37/CE.

Bijzondere aanbevelingen ten aanzien van de gebruiksgeschiktheid van dit product met betrekking tot de Richtlijn “Laagspanning” 73/23/CEE en de daaropvolgende wijziging 93/68/CEE:

- Dit product voldoet aan de eisen van de Richtlijn “Laagspanning” indien het gebruikt wordt voor de toepassing en in de configuratie zoals dat in deze handleiding met aanwijzingen voorzien is en in combinatie met de artikelen uit de productencatalogus van Nice S.p.a. Het zou kunnen zijn dat er niet aan deze eisen voldaan wordt als het product gebruikt wordt in een configuratie of met andere producten die niet voorzien zijn; het is verboden het product in deze situaties te gebruiken zolang degene die de installatie verricht niet heeft gecontroleerd of ze aan de in de Richtlijn gestelde eisen voldoen.

Bijzondere aanbevelingen ten aanzien van de gebruiksgeschiktheid van dit product met betrekking tot de Richtlijn “Elektromagnetische Compatibiliteit” 89/336/CEE en daaropvolgende wijzigingen 92/31/CEE en 93/68/CEE:

- Dit product is onderworpen aan tests met betrekking tot de elektromagnetische compatibiliteit in de meest kritieke gebruikssituaties, in de configuratie zoals die in deze handleiding met aanwijzingen voorzien is en in combinatie met artikelen uit de productencatalogus van Nice S.p.a. Het zou kunnen zijn dat de elektromagnetische compatibiliteit niet gegarandeerd is, als het product gebruikt wordt in een configuratie of met andere producten die niet voorzien zijn; het is verboden het product in deze situaties te gebruiken zolang degene die de installatie verricht niet heeft gecontroleerd of ze aan de in de Richtlijn gestelde eisen voldoen.

2) Beschrijving van het product en gebruiksbestemming

RUN is een lijn onomkeerbare elektromechanische reductiemotoren, bestemd voor het automatiseren van schuifpoorten. Ze beschikken over een elektronische besturingseenheid en een plug-in van het type "SM" voor de ontvanger van radio-instructies (apart leverbaar). De elektrische aansluitingen van de externe inrichtingen zijn gemakkelijker geworden dankzij het gebruik van "BlueBUS", een techniek waarmee het mogelijk is meerdere inrichtingen met slechts 2 draden te verbinden. Een lijst met de inrichtingen die op de BlueBUS aan Run kunnen worden aangesloten vindt u in hoofdstuk 7.3.1 "Blue-

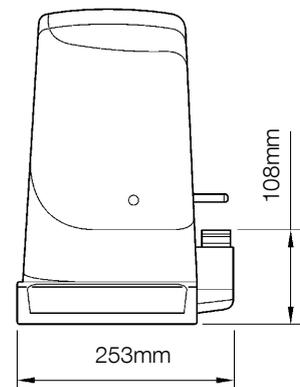
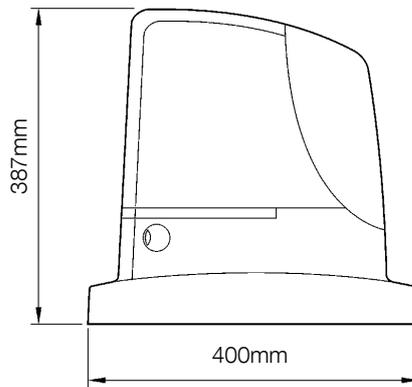
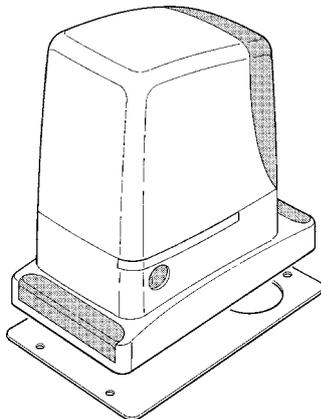
BUS"; een bijgewerkte lijst met de bijbehorende compatibiliteit vindt u ook op: www.niceforyou.com. RUN beschikt over een stekker voor de inrichting voor het op afstand programmeren waarmee het mogelijk is snel en volledig installatie- en onderhoudswerkzaamheden uit te voeren, alsook een diagnose van eventuele storingen; zie ook 7.8.1 "Inrichting voor het op afstand programmeren". De RUN werken op elektrische energie; wanneer de elektrische stroom uitvalt, is het mogelijk de reductiemotor met een speciale sleutel te ontgrendelen en de poort handmatig te verplaatsen.

De lijn RUN bestaat uit producten waarvan de belangrijkste verschillen in tabel 1 beschreven zijn.

Tabel 1: vergelijking essentiële kenmerken reductiemotor

Reductiemotor type	RUN1800	RUN1800P	RUN2500	RUN2500P
Type eindschakelaar	elektromechanische	Inductieve naderingsschakelaar	elektromechanische	Inductieve naderingsschakelaar
Maximumlengte vleugel	15m		18m	
Maximumgewicht vleugel	1800 kg		2500 kg	
Maximumkoppel aan de start (overeenkomend met kracht)	40Nm (1110N)		50Nm (1390N)	
Motor	Asynchroon monofasemotor maximaal 700W		Asynchroon monofasemotor maximaal 870W	

N.B.: 1kg = 9,81N dus, bijvoorbeeld: 600N = 61 kg



1

2.1) Gebruikslimieten

De gegevens met betrekking tot de prestaties van RUN kunt u in hoofdstuk "8 Technische gegevens" vinden en dat zijn de enige waarden waarmee het mogelijk is correct te beoordelen of die voor een bepaalde toepassing geschikt is. De structurele kenmerken van RUN maken deze geschikt voor toepassing op schuifvleugels, volgens de limieten zoals die in de tabellen 2, 3 en 4 zijn weergegeven.

De vraag of RUN daadwerkelijk geschikt is een bepaalde schuifpoort te automatiseren hangt af van de wrijving en andere fenomenen, ook zo af en toe aanwezig, zoals de aanwezigheid van ijs waardoor de beweging van de vleugel belemmerd zou kunnen worden. Voor een reële controle is het absoluut noodzakelijk de kracht te meten die er nodig is om de vleugel over haar gehele loop te laten bewegen en te

controleren dat deze kracht niet groter is dan de helft van het "nominale koppel" dat in hoofdstuk "8 Technische gegevens" is aangegeven (het is raadzaam een marge van 50% aan te houden omdat slechte weersomstandigheden de wrijving kunnen vergroten); bovendien dient er om het aantal cycli/uur, de opeenvolgende cycli en de maximaal toegelaten snelheid vast te stellen rekening gehouden te worden met wat er in de tabellen 2 en 3 opgevoerd is.

Tabel 2: limieten met betrekking tot de lengte van de vleugel

Lengte vleugel (m)	RUN1800/ RUN1800P		RUN2500/ RUN2500P	
	max. cycli/uur	max. opeenvolgende cycli	max. cycli/uur	max. opeenvolgende cycli
Tot 6	42	28	42	42
6 ÷ 9	28	18	28	28
9 ÷ 12	21	14	21	21
12 ÷ 15	17	11	17	17
15 ÷ 18			14	14

Tabel 3: limieten in verhouding tot het gewicht van de vleugel

Gewicht van de vleugel (kg)	RUN1800/ RUN1800P	RUN2500/ RUN2500P
	Percentage cycli	Percentage cycli
Tot 500	100%	100%
500 ÷ 900	80	80
900 ÷ 1200	75	75
1200 ÷ 1500	60	60
1500 ÷ 1800	50	50
2000 ÷ 2300	---	40
2300 ÷ 2500	---	30

Met de vleugellengte kan het maximale aantal cycli per uur achter elkaar bepaald worden, terwijl met het gewicht het percentage van vermindering van het aantal cycli en de maximaal toelaatbare snelheid bepaald kunnen worden; bijvoorbeeld voor de RUN 1800 als de vleugel bijvoorbeeld een lengte van 10m zou hebben is zouden er 21 cycli/uur en 14 cycli achter elkaar mogelijk zijn, maar als de vleugel 1300 kg weegt, dient dit met 60% teruggebracht te worden: het resultaat is dus 9 cycli/uur en circa 8 cycli achter elkaar. Om oververhitting te voorkomen heeft de besturingseenheid een begrenzer van het aantal manoeuvres die zich baseert op de belasting van de motor en de duur van de cycli, waarbij deze in werking treedt wanneer de maximale limiet overschreden wordt. De begrenzer van het aantal manoeuvres meet ook de omgevingstemperatuur en reduceert het aantal manoeuvres nog meer in geval van een bijzonder hoge temperatuur.

In hoofdstuk "8 Technische gegevens" vindt u de geschatte "levensduur" dat wil zeggen de gemiddelde economische levensduur van het product. Deze waarde wordt sterk beïnvloed door de zwaarte-index van de manoeuvres, dat wil zeggen door de som van alle factoren die bijdragen aan het slijtageproces. Om deze schatting te kunnen maken dienen alle zwaarte-indexen van tabel 4 bij elkaar opgeteld te worden; daarna dient u het resultaat daarvan te controleren in de grafiek van de geschatte levensduur.

Bijvoorbeeld: RUN 1800 op een poort van 1300 kg, met een lengte van 10 m, voorzien van fotocellen en zonder andere uitputtingselementen heeft een zwaarte-index gelijk aan 45% (20+15+10) Op basis van de grafiek wordt de levensduur op 200.000 cycli geschat.

Er wordt op gewezen dat de schatting van de levensduur gebaseerd is op berekeningen bij het ontwerpen en op proeven op prototypes; daar het om een schatting gaat, geeft dit geen enkele garantie voor de daadwerkelijke levensduur van het product.

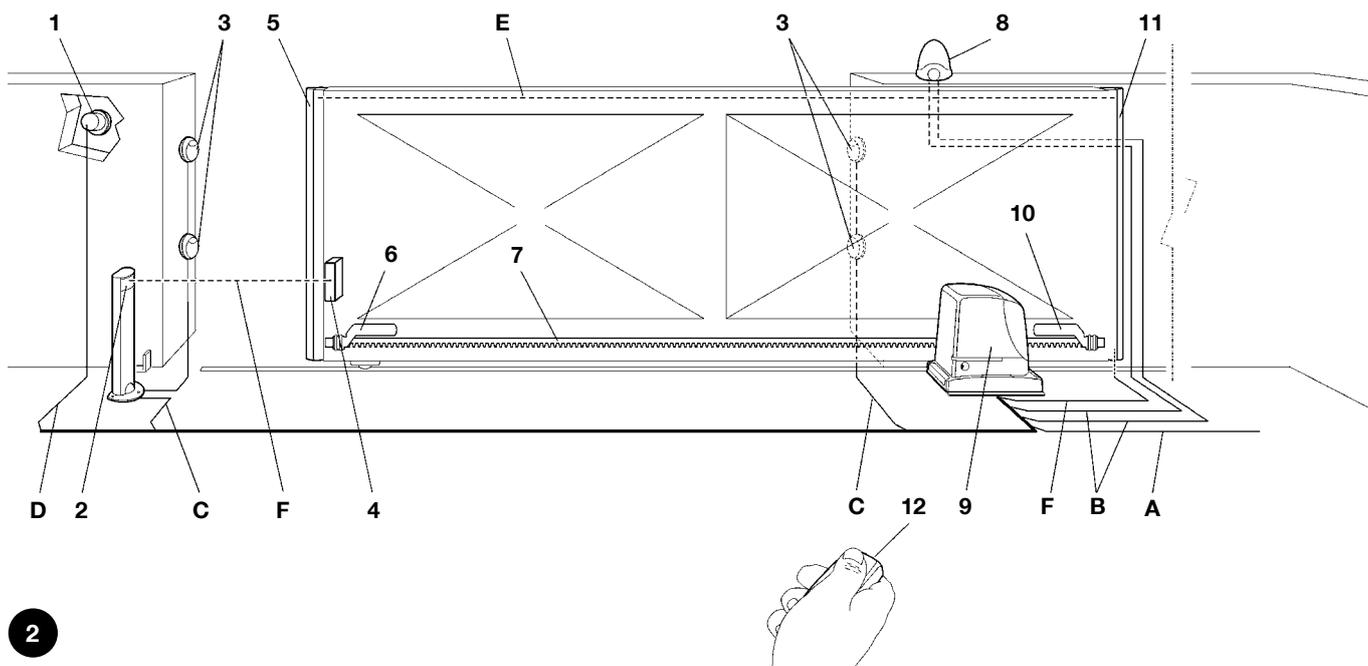
Tabel 4: schatting van de levensduur in verhouding tot de zwaarte-index van de manoeuvre

Zwaarte-index %	Run		Levensduur in cycli
	1800	2500	
Gewicht van de vleugel kg			
Tot 500	5	5	
500 ÷ 900	10	10	
900 ÷ 1200	20	20	
1200 ÷ 1500	30	30	
1500 ÷ 1800	40	40	
1800 ÷ 2200	-	50	
2200 ÷ 2500	-	60	
Lengte van de vleugel meter			
Tot 6	5	5	
6 ÷ 9	10	10	
9 ÷ 12	15	15	
12 ÷ 15	25	25	
15 ÷ 18	-	35	
Andere vermoeidheidselementen (in aanmerking te nemen als de mogelijkheid, dat dat gebeurt groter is dan 10%)			
Omgevingstemperatuur hoger dan 40°C of lager dan 0°C of vochtigheidsgraad boven de 80%	10	10	
Aanwezigheid stof of zand	15	15	
Aanwezigheid zoute omgeving	20	20	
Onderbreking manoeuvre door Foto	10	10	
Onderbreking manoeuvre door Alt	20	20	
Snelheid hoger dan "L4 snel"	10	10	
Totale zwaarte-index %:			

N.B.: als de zwaarte-index de 100% overschrijdt, betekent dit dat de omstandigheden buiten de aanvaardbare grenzen vallen; er wordt aangeraden een zwaarder model te gebruiken.

2.2) Voorbeeld van een installatie

Op afbeelding 2 vindt u een typische installatie van een schuifpoort met toepassing van RUN



2

- | | |
|-------------------------------------|---|
| 1 Sleutelschakelaar | 7 Tandheugel |
| 2 Ontvanger FT210B | 8 Knipperlicht met ingebouwde antenne |
| 3 Fotocellen | 9 RUN |
| 4 Zender FT210B | 10 Beugel voor eindschakelaar "Dicht" |
| 5 Primaire mobiele contactlijst | 11 Secundaire mobiele contactlijst (apart verkrijgbaar) |
| 6 Beugel voor eindschakelaar "Open" | 12 Radiozender |

2.3) Lijst kabels

Op de typische installatie op afbeelding 2 worden ook de kabels aangegeven die noodzakelijk zijn voor de aansluiting van de verschillende inrichtingen; in tabel 5 worden de kenmerken van de kabels aangegeven.

⚠ De gebruikte kabels moeten geschikt zijn voor het type installatie; zo bevelen we bijvoorbeeld een kabel van het type H03VV-F aan, wanneer die binnenshuis gebruikt wordt of van het type H07RN-F wanneer ze buitenshuis gebruikt wordt.

Tabel 5: lijst kabels

Aansluiting	Type kabel	Maximaal toegestane lengte
A: Toevoerleiding elektrische stroom	1 kabel 3x1,5mm ²	30m (opmerking 1)
B: Knipperlicht met antenne	1 kabel 2x0,5mm ²	20m
	1 afgeschermd kabel type RG58	20m (aanbevolen lengte minder dan 5m)
C: Fotocellen	1 kabel 2x0,5mm ²	30m (opmerking 2)
D: Sleutelschakelaar	2 kabels 2x0,5mm ² (opmerking 3)	50m
E: Verbinding tussen de 2 mobiele contactlijsten	1 kabel 2x0,5mm ² (opmerking 4)	20m
F: Mobiele contactlijsten	1 kabel 2x0,5mm ² (opmerking 5)	30m

Opmerking 1: als de voedingskabel een lengte van meer dan 30 m heeft, is er een kabel met een grotere doorsnede nodig, bijvoorbeeld 3x2,5mm² en dient er aarding in de nabijheid van de automatisering plaats te vinden.

Opmerking 2: als de kabel "BLUEBUS" langer dan 30 m is, maar niet langer dan 50 m, is er een kabel 2x1mm² nodig.

Opmerking 3: de twee kabels 2x0,5mm² kunnen vervangen worden door één enkele kabel 4x0,5mm².

Opmerking 4: als er meer dan één lijst is, gelieve u de paragraaf "7.3.2 Ingang STOP" te raadplegen voor het soort aanbevolen aansluiting

Opmerking 5: voor de aansluiting van de contactlijsten op deuren dient u de nodige maatregelen te nemen die ook aansluiting bij de in beweging zijnde vleugel mogelijk maken; op de afbeelding ziet u toepassing van FT210B.

3) Installatie

⚠ De installatie van RUN dient door gekwalificeerd personeel uitgevoerd te worden waarbij de wetten, voorschriften en regels en wat in deze aanwijzingen staat, in acht worden genomen.

3.1) Controles vooraf

Voordat u met de installatie van RUN begint, dient u onderstaande controles uit te voeren:

- Vergewis u ervan dat al het te gebruiken materiaal in een optimale staat is en geschikt is voor gebruik en conform de voorschriften.
- Controleer of de structuur van de poort ervoor geschikt is geautomatiseerd te worden.
- Controleer of kracht en afmetingen van de vleugel binnen de gebruikslimieten zoals die in paragraaf "2.1 Gebruikslimieten" zijn aangegeven, vallen.
- Vergewis u ervan door de waarden uit hoofdstuk "8 Technische gegevens" te vergelijken, dat de benodigde kracht om de vleugel in beweging te brengen, kleiner is dan de helft van het "Maximale koppel" en dat de benodigde kracht om de vleugel te laten bewegen als deze eenmaal loopt, kleiner is dan de helft van het "Nominale koppel"; het is raadzaam een marge van 50% op deze krachten aan te houden, omdat slechte weersomstandigheden de wrijving kunnen verhogen.
- Controleer of er over de gehele loop van de poort, zowel bij sluiting als opening, geen punten met een grotere wrijving zijn.
- Controleer dat er geen gevaar bestaat dat de vleugel ontspoord en uit de geleiderails loopt.
- Controleer of de mechanische stops voorbij het loopgebied van de poort sterk genoeg zijn waarbij u erop dient te letten dat er geen vervormingen ontstaan ook als de vleugel hard op de stop zou slaan.
- Controleer dat de vleugel goed in evenwicht is; dat wil zeggen de vleugel niet in beweging mag komen, wanneer de manoeuvre op een willekeurige stand onderbroken wordt.
- Controleer dat er op de plaats van bevestiging van de reductie-

motor geen wateroverlast is; monteer de reductiemotor eventueel hoog genoeg boven de grond.

- Kies de plaats van bevestiging van de reductiemotor zo, dat deze gemakkelijk ontgrendeld en gemakkelijk en veilig bewogen kan worden.
- Controleer of de punten van bevestiging van de diverse inrichtingen zo gekozen zijn dat er niet tegen aan gestoten kan worden en of de bevestigingsvlakken stevig genoeg zijn.
- Zorg ervoor dat er geen enkel deel van het automatisme in water of een andere vloeistof terecht kan komen.
- Houd alle onderdelen van RUN uit de buurt van relevante warmtebronnen en open vuur. Breng ze ook niet in ruimten waar ontploffingsgevaar bestaat of waar de omgeving bijzonder zuur of zout zijn. Anders zou RUN schade kunnen oplopen of zouden er storingen of gevaarlijke situaties kunnen ontstaan.
- Indien er in de vleugel een kleinere toegangsdeur is, dient u zich ervan te vergewissen dat deze de normale loop niet belemmert, en indien dit wel het geval is, voor een adequate blokkering te zorgen.
- Sluit de besturingseenheid op een leiding van de elektrische stroomvoorziening aan welke correct geaard is.
- De leiding van de elektrische stroomvoorziening dient door een adequate thermomagnetische en differentiaalschakelaar beveiligd te zijn.
- Op de toevoerlijn van de stroom van het elektriciteitsnet dient een inrichting te komen die de stroomtoevoer kan onderbreken (met overspanningscategorie III, d.w.z. met een minimumafstand tussen de contacten van tenminste 3,5 mm) of ander gelijkwaardig systeem, zoals bijvoorbeeld een stopcontact met een stekker. Als die onderbrekingsinrichting van de stroomtoevoer zich niet in de nabijheid van de automatisering bevindt, dient er een blokkeringssysteem te zijn tegen het per ongeluk of onbevoegd inschakelen.

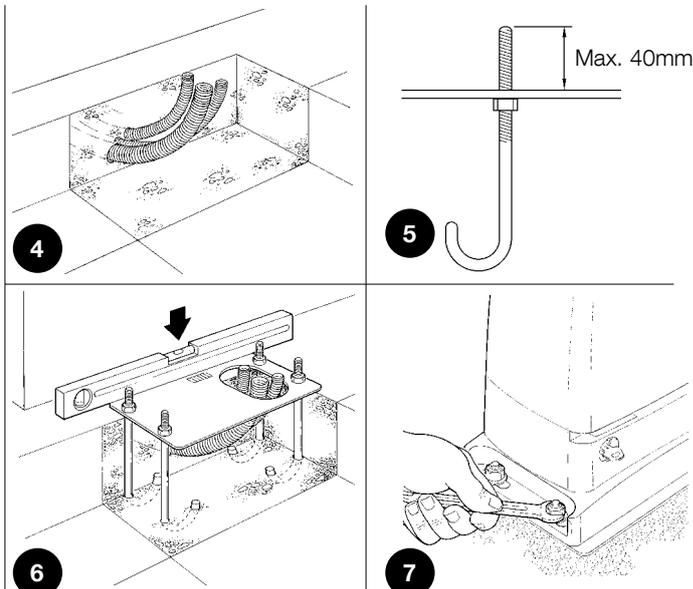
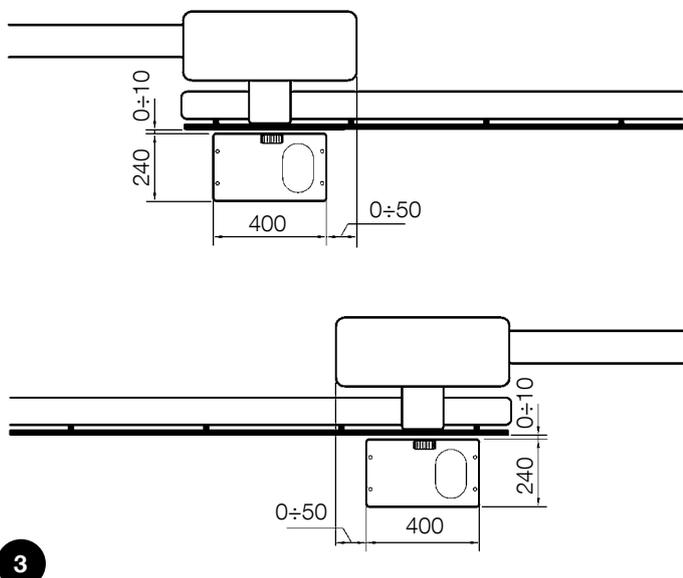
3.2) Bevestiging van de reductiemotor

Als er al een bevestigingsvlak aanwezig is, dient de reductiemotor daar rechtstreeks op bevestigd te worden met bijvoorbeeld expansiepluggen. Anders dient u voor het bevestigen van de reductiemotor als volgt te werk te gaan:

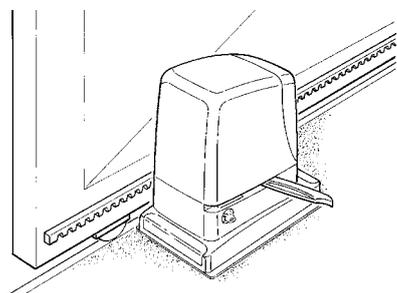
1. Maak een funderingsput met de juiste afmetingen en gebruik daarbij als aanwijzing de op afbeelding 3 aangegeven waarden.
2. Zorg voor één of meer buizen waar de elektriciteitskabels doorheen kunnen lopen zoals dat op afbeelding 4 te zien is.
3. Monteer de vier verankeringbouten op de funderingsplaat waarbij u een moer onder en een moer boven de plaat aanbrengt; de

moer onder de plaat dient aangedraaid te worden zoals u op afbeelding 5 kunt zien, zodat het deel met schroefdraad ongeveer 40 mm boven de plaat uit steekt.

4. Stort het cement en voordat dat hard wordt, dient u de funderingsplaat volgens de op afbeelding 3 aangegeven waarden aan te brengen; controleer dat die geheel evenwijdig aan de vleugel loopt en waterpas is (afb. 6). Wacht tot het beton helemaal uitgehard is.
5. Verwijder de 4 bovenste moeren van de plaat, zet er de reductiemotor op; controleer dat die geheel evenwijdig aan de vleugel is en draai vervolgens de 4 meegeleverde moeren en borgringen lichtjes vast zoals op afbeelding 7 te zien is.



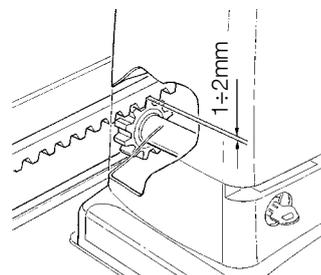
6. Ontgrendel de reductiemotor zoals dat in de paragraaf "Ontgrendeling en handmatige manoeuvre" in het hoofdstuk "Aanwijzingen en aanbevelingen bestemd voor de gebruiker van de reductiemotor RUN" aangegeven is.
7. Open de vleugel helemaal, laat het eerste gedeelte van de tandheugel op het rondsel rusten en controleer of het begin van de tandheugel overeenkomt met het begin van de vleugel zoals dat op afbeelding 8 te zien is. Controleer of er tussen rondsel en



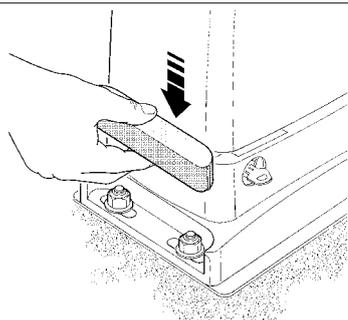
8

tandheugel een speling van 1÷2 mm is, en bevestig de tandheugel vervolgens met de juiste middelen op de vleugel.

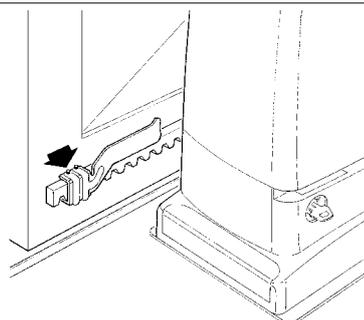
- ⚠ Om te voorkomen dat het gewicht van de vleugel op de reductiemotor komt te rusten is het belangrijk dat er tussen de tandheugel en het rondsel van een speling van 1÷2 mm is zoals u op afbeelding 9 kunt zien.**



9



10



11

8. Verschuif de vleugel en gebruik bij het bevestigen van de andere elementen steeds het rondsel als uitgangspunt.
9. Zaag het overgebleven deel aan het andere uiteinde van de tandheugel af.
10. Probeer nu de vleugel verschillende malen in de openings- en sluitrichting te verschuiven en controleer of de tandheugel recht over het rondsel loopt met een foutuitlijning van ten hoogste 5 mm. En dat de speling van 1÷2 mm tussen rondsel en tandheugel daadwerkelijk aanwezig is.
11. Draai de bevestigingsmoeren van de reductiemotor krachtig aan en verzeker u er zo van dat deze stevig vast op de grond zit; bedek de bevestigingsmoeren met de daarvoor bestemde kapjes zoals op afbeelding 10 te zien is.
12. Bevestig de beugels voor de eindaanslagen zoals hieronder beschreven wordt (voor de uitvoeringen RUN1800P en RUN2500P

dient u de beugels te bevestigen zoals in paragraaf "3.3 Bevestiging van de beugels voor de eindaanslagen in de uitvoeringen met inductieve naderingsschakelaar" beschreven is):

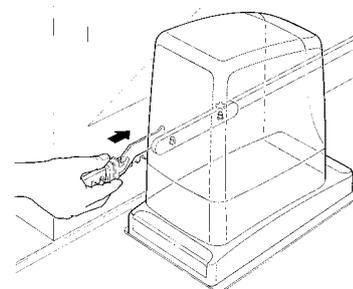
- Breng de vleugel handmatig in de openingsstand en laat haar op een afstand van tenminste 2 - 3 cm van de mechanische stop tot stilstand komen.
 - Verschuif de beugel op de tandheugel in de openingsrichting totdat de eindaanslag in werking treedt. Verschuif de beugel nog tenminste 2 cm en zet de beugel vervolgens met de bijbehorende pennen op de tandheugel vast, zoals dat op afbeelding 11 te zien is.
 - Doe hetzelfde voor de eindaanslag sluiting.
13. Vergrendel de reductiemotor zoals in de paragraaf "Ontgrendeling en handmatige manoeuvre" in het hoofdstuk "Aanwijzingen en aanbevelingen bestemd voor de gebruiker" aangegeven is.

3.3) Bevestiging van de beugels voor de eindaanslag in de uitvoeringen met inductieve naderingsschakelaar als eindschakelaar

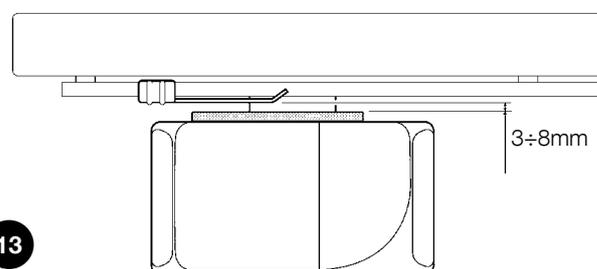
Voor de uitvoeringen RUN1800P en RUN2500P die een inductieve naderingsschakelaar als eindschakelaar toepassen, dient u de beugels voor de eindaanslagen als volgt te bevestigen.

1. Breng de vleugel handmatig in de openingsstand en laat haar op een afstand van tenminste 2 - 3 cm van de mechanische stop tot stilstand komen.
2. Verschuif de beugel op de tandheugel in de openingsrichting totdat het desbetreffende ledlampje uit gaat, zoals dat op afbeelding 12 te zien is. Verschuif de beugel nog tenminste 2 cm en zet de beugel vervolgens met de bijbehorende pennen op de tandheugel vast.
3. Breng de vleugel handmatig in de sluitstand en laat haar op een afstand van tenminste 2 - 3 cm van de mechanische stop tot stilstand komen.
4. Verschuif de beugel op de tandheugel in de sluitrichting totdat het desbetreffende ledlampje uit gaat. Verschuif de beugel nog tenminste 2 cm en zet de beugel vervolgens met de bijbehorende pennen op de tandheugel vast.

- ⚠ Bij de inductieve naderingsschakelaar als eindschakelaar ligt de optimale afstand van de beugel tussen de 3 en 8 mm, zoals dat op afbeelding 13 is aangegeven.**



12



13

3.4) Installatie van de verschillende inrichtingen

Installeer de andere inrichtingen in overeenstemming met de daarop betrekking hebbende aanwijzingen. Controleer in paragraaf "3.6 Beschrijving van de elektrische aansluitingen" en op afbeelding 2 de inrichtingen die op de RUN kunnen worden aangesloten.

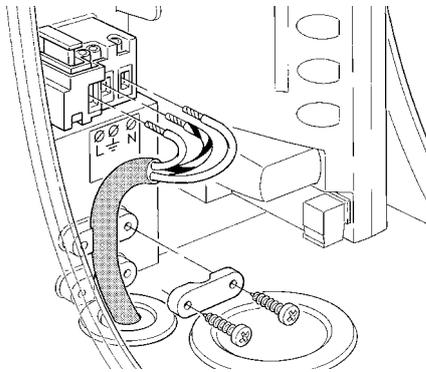
3.5) Elektrische aansluitingen

⚠ Bij het uitvoeren van elektrische aansluitingen mag de installatie absoluut niet onder spanning staan.

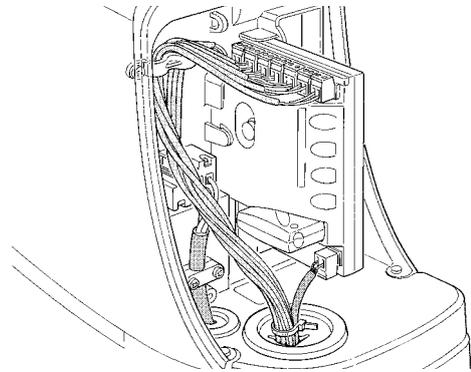
1. Om de beschermingsplaat te verwijderen en toegang tot de elektronische besturingseenheid van RUN te verkrijgen dient u de schroef aan de zijkant weg te halen en de plaat weg te halen door die naar boven toe weg te trekken.
2. Verwijder de twee rubber membranen, die de opening waar de kabels doorheen gevoerd moeten worden, afsluiten. Leid de voedingskabel, alleen, door de kleinste opening en alle aansluitingskabels naar de verschillende inrichtingen door de grootste opening. Laat de kabels ongeveer 20÷30 cm langer laat dan noodzakelijk is. Zie tabel 5 voor het type kabels en afbeelding 2 voor de aansluitingen.
3. Bind alle kabels die door de grootste opening de reductiemotor binnenkomen met een bandje samen en plaats dat bandje eventjes onder de boring waar de kabels binnenkomen. Snijd in het grootste rubber membraan een opening waarvan de diameter iets kleiner is

dan die van de samengebundelde kabels en schuif het membraan over de kabels tot het bandje; zet vervolgens het membraan weer terug in de kabeldoorgang. Breng een tweede bandje net boven het membraan aan om daar de kabels bij elkaar te houden.

4. Snijd in het kleinste membraan een opening die iets kleiner is dan de voedingskabel en schuif het membraan over de kabel tot dat weer op zijn plaats zit.
5. Sluit de voedingskabel op het daarvoor bestemde klemmetje aan, zoals dat op afbeelding 14 te zien is, en zet daarna de kabel met een bandje bij de eerste kabeling vast.
6. Voer de aansluiting van de andere kabels volgens het schema op afbeelding 16 uit. Voor nog meer gemak zijn de klemmetjes uitneembaar.
7. Na afloop van de aansluitingen dient u de kabels die u bij de tweede ring van de kabelhouder gebundeld hebt vast te zetten met bandjes, terwijl het resterende deel van de antennekabel aan de andere kabels met een ander bandje wordt vastgezet zoals u op afbeelding 15 kunt zien.

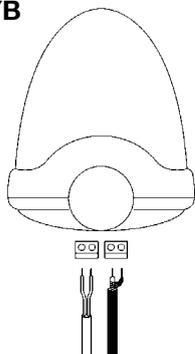


14



15

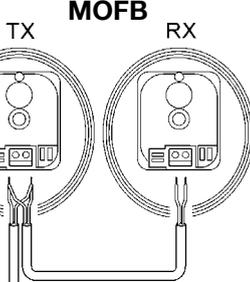
LUCYB



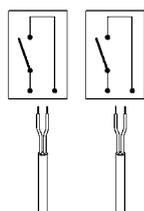
S.C.A.

24v 4w

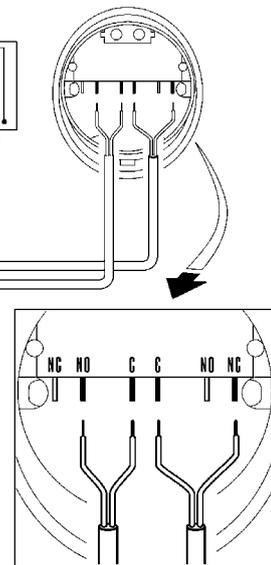
MOFB



OPEN CLOSE



MOSE



16

Voor aansluiting van 2 motoren op tegenovergestelde vleugels gelieve u paragraaf "7.3.5 RUN in modus Slave" te raadplegen.

3.6) Beschrijving van de elektrische aansluitingen

In deze paragraaf vindt u een beknopte beschrijving van de elektrische aansluitingen; verdere informatie in paragraaf "7.3 Bijplaatsen of wegnemen van inrichtingen".

FLASH: uitgang voor één of twee knipperlichten van het type "LUCYB" of dergelijke met één enkele lamp 12V van maximaal 21W.

S.C.A.: uitgang "Controlelampje Poort Open"; het is mogelijk hierop een signaleringslamp van 24V en maximaal 4W aan te sluiten. Deze uitgang kan ook voor andere functies geprogrammeerd worden; zie paragraaf "7.2.3 Functies tweede niveau".

BLUEBUS: op dit klemmetje kunnen compatibele inrichtingen aangesloten worden; ze worden allemaal parallel aangesloten met twee draden waarover zowel de elektrische stroomvoorziening als de communicatiesignalen lopen. Verdere informatie over BlueBUS vindt u in paragraaf "7.3.1 BlueBUS".

STOP: ingang voor inrichtingen die de lopende manoeuvre kunnen blokkeren of eventueel kunnen onderbreken; door het uitvoeren van

de juiste handelingen kunt u op de ingang STOP contacten van het type "Normaal Gesloten", type "Normaal Open" of inrichtingen met een constante weerstand aansluiten. Meer informatie over STOP vindt u in paragraaf "7.3.2 Ingang STOP".

P.P.: ingang voor inrichtingen die de manoeuvre in de modus Stap-voor-Stap aansturen; het is mogelijk contacten van het type "Normaal Open" aan te sluiten.

OPEN: ingang voor inrichtingen die alleen de openingsmanoeuvre aansturen; het is mogelijk contacten van het type "Normaal Open" aan te sluiten.

CLOSE: ingang voor inrichtingen die alleen de sluitmanoeuvre aansturen; het is mogelijk contacten van het type "Normaal Open" aan te sluiten.

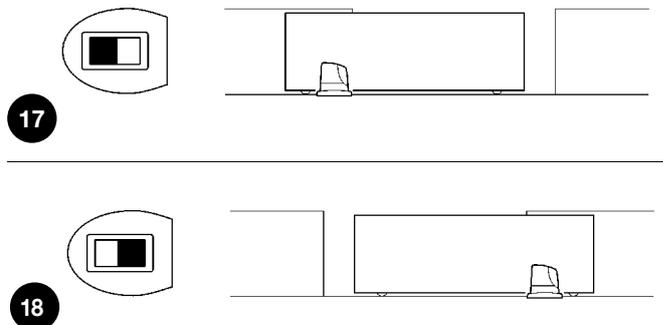
ANTENNE: ingang voor aansluiting van de antenne voor de radio-ontvanger. (De antenne is in LUCY B ingebouwd).

4) Eindcontroles en start

Alvorens met de fase van eindcontroles en de start van de automatisering te beginnen is het raadzaam de wagen los te haken en de vleugel halverwege te zetten zodat deze vrijelijk zowel open als dicht kan gaan.

4.1) Keuze van de richting

Afhankelijk van de plaats van de reductiemotor ten opzichte van de vleugel dient u de richting voor de openingsmanoeuvre te kiezen; indien de vleugel om open te gaan naar links moet bewegen, dient u de keuzeschakelaar naar links te verschuiven zoals op afbeelding 17 te zien is, als de vleugel om open te gaan naar rechts moet bewegen dient u de keuzeschakelaar naar rechts te verplaatsen zoals u op afbeelding 18 kunt zien.



4.2) Aansluiting op de stroomvoorziening

⚠ De aansluiting van de stroomvoorziening naar de RUN dient door ervaren, deskundig personeel in het bezit van de vereiste kenmerken uitgevoerd te worden onder volledige inachtneming van wetten, voorschriften en reglementen.

Zodra de RUN onder spanning staat, is het raadzaam enkele eenvoudige controles uit te voeren:

1. Controleer dat het ledlampje BlueBUS regelmatig knippert met een frequentie van één knippering per seconde.
2. Controleer of de ledlampjes op de fotocellen (zowel op TX als op RX) knipperen; het is niet van belang hoe ze knipperen want dat hangt van andere factoren af.

3. Controleer of het knipperlicht dat op de uitgang FLASH is aangesloten en het controlelampje dat op de uitgang S.C.A. is aangesloten, uit zijn

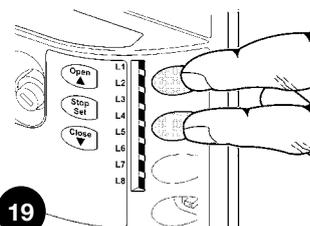
Als dit alles niet gebeurt, dient u onmiddellijk de stroomtoevoer naar de besturingseenheid af te sluiten en de elektrische aansluitingen nauwkeuriger te controleren.

Meer nuttige informatie voor het opsporen van storingen vindt u in paragraaf "7.6 Oplossing van problemen".

4.3) Herkennen van de inrichtingen

Nadat de installatie van stroom is voorzien dient de besturingseenheid de op de ingangen BlueBUS en STOP aangesloten inrichtingen te herkennen. Voor deze fase knipperen de ledlampjes L1 en L2 om aan te geven dat de procedure voor het herkennen van de inrichtingen moet worden uitgevoerd.

1. Druk op de toetsen **[▲]** en **[Set]** en houd die ingedrukt
2. Laat de toetsen los wanneer de ledlampjes L1 en L2 heel snel beginnen te knipperen (na ongeveer 3s)
3. Wacht een paar seconden totdat de besturingseenheid gereed is met het herkennen van de inrichtingen
4. Nadat de inrichtingen herkend zijn moet het ledlampje STOP blijven branden; de ledlampjes L1 en L2 zullen uit gaan (eventueel zullen de ledlampjes L3 en L4 beginnen te knipperen)

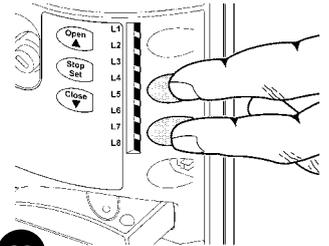


De fase van het herkennen van aangesloten inrichtingen kan op elk gewenst moment herhaald worden ook na de installatie, bijvoorbeeld als er een inrichting toegevoegd mocht worden; voor het uitvoeren van een nieuwe herkenningsprocedure gelieve u paragraaf "7.3.6 Herkennen van andere inrichtingen" te raadplegen.

4.4) Herkennen van de vleugellengte

Nadat de inrichtingen herkend zijn zullen de ledlampjes L3 en L4 beginnen te knipperen; dit betekent dat de besturingseenheid de lengte van de vleugel moet herkennen (de afstand van de eindaanslag sluitstand tot de eindaanslag openingsstand); deze maat is nodig voor het berekenen van de punten van vertraging en het punt van gedeeltelijke opening.

1. Druk op de toetsen **[▼]** en **[Set]** en houd die ingedrukt
2. Laat de toetsen los wanneer de manoeuvre van start gaat (na ongeveer 3s)
3. Controleer of deze manoeuvre een openingsmanoeuvre is; zo niet druk dan op de toets **[STOP]** en controleer nog aandachtiger de paragraaf "4.1 Keuze van de richting"; herhaal dit van punt 1.
4. Wacht dat de besturingseenheid een complete openingsmanoeuvre uitvoert totdat de eindaanslag opening bereikt is; onmiddellijk daarna begint de sluitmanoeuvre.
5. Wacht dat de besturingseenheid de sluitmanoeuvre volledig uitvoert.



20

Indien dit niet allemaal mocht gebeuren dient u onmiddellijk de stroomvoorziening naar de besturingseenheid te onderbreken en de elektrische aansluitingen nog beter te controleren. Verdere nuttige informatie vindt u in het hoofdstuk "7.6 Oplossen van problemen".

4.5) Controle van de manoeuvre van de poort

Na het herkennen van de lengte van de vleugel is het raadzaam enkele manoeuvres uit te voeren om te controleren of de poort correct beweegt.

1. Druk op de toets **[Open]** om de instructie voor de manoeuvre "Open" te geven; controleer of de openingsmanoeuvre van de poort regelmatig verloopt zonder verandering van snelheid; pas wanneer de vleugel tussen de 70 en 50 cm van de eindaanslag van de openingsstand verwijderd is, zal hij langzamer moeten gaan lopen en tot stilstand komen op 2÷3 cm vanaf de mechanische stop openingsstand.
2. Druk op de toets **[Close]** om de instructie voor de manoeuvre "Sluit" te geven; controleer of de sluitmanoeuvre van de poort regelmatig verloopt zonder verandering van snelheid; pas wanneer de vleugel tussen de 70 en 50 cm van de eindaanslag van de sluitstand

verwijderd is, zal hij langzamer moeten gaan lopen en tot stilstand komen op 2÷3 cm vanaf de mechanische stop sluitstand.

3. Controleer dat het knipperlicht tijdens de manoeuvres met een frequentie van 0,5s aan en 0,5s uit knippert. Indien aanwezig, dient u ook de knipperingen te controleren van het controlelampje dat op het klemmetje S.C.A is aangesloten: dit knippert langzaam bij het openen, snel bij het sluiten.
4. Voer meerdere openings- en sluitmanoeuvres uit om te beoordelen of er eventuele montage- of afstellingsdefecten zijn, of andere onregelmatigheden zijn, zoals punten met een grotere wrijving.
5. Controleer dat de reductiemotor RUN, de tandheugel en de beugels van de eindaanslagen solide, stevig en voldoende duurzaam bevestigd zijn, ook wanneer er zich een plotselinge snelheidstoename of -afname in de beweging van de poort voordoet.

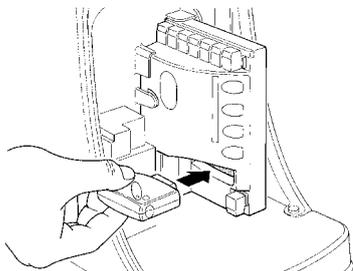
4.6) Vooraf ingestelde functies

De besturingseenheid van RUN beschikt over enkele programmeerbare functies; in de fabriek worden deze functies in een configuratie afgesteld die voor het merendeel van de automatiseringen optimaal

is; in ieder geval kunnen de functies op elk gewenst moment via de juiste programmeringsprocedure gewijzigd worden; raadpleeg hiervoor paragraaf "7.2 Programmering".

4.7) Radio-ontvanger

Voor het aansturen op afstand van RUN, is er op de besturingseenheid een plug-in SM voor radio-ontvangers van het type SMXI of SMXIS die apart leverbaar zijn. Voor het aanbrengen van de radio-ontvanger dient u de stroomtoevoer naar de RUN te onderbreken en te werk te gaan zoals dat op afbeelding 21 wordt aangegeven. In tabel 6 wordt de koppeling tussen de uitgang van de radio-ontvangers SMXI e SMXIS en de instructie die RUN zal uitvoeren, beschreven:



21

Raadpleeg voor verdere informatie de handleiding van de radio-ontvanger.

Tabel 6: instructies met de ontvanger SMXI of SMXIS

Uitgang 1	Instructie "P.P." (Stap-voor-Stap)
Uitgang 2	Instructie "Voetgangersopening"
Uitgang 3	Instructie "Open"
Uitgang 4	Instructie "Sluit"

5) Eindtest en inbedrijfstelling

Dit is de belangrijkste fase bij de aanleg van de automatisering ten einde een zo groot mogelijke veiligheid te garanderen. De eindtest kan ook als periodieke controle voor de verschillende inrichtingen van de automatisering gebruikt worden.

⚠ De eindtest van de gehele installatie moet door vakbekwaam en deskundig personeel uitgevoerd worden. Dat moet ook bepalen welke tests in functie van de bestaande risico's noodzakelijk zijn en controleren of de wettelijke voorschriften, regelgeving en regels en met name alle vereisten van norm EN 12445, die de testmethodes voor de controle van automatiseringen voor poorten bepaalt, in acht genomen zijn.

5.1) Eindtest

Voor elk afzonderlijk onderdeel van het automatisme, zoals bijvoorbeeld contactlijsten, fotocellen, noodstop, etc. is een specifieke fase in de eindtest vereist; voor deze inrichtingen zullen de procedures uit de desbetreffende handleidingen met aanwijzingen gevolgd moeten worden. Voor de eindtest van RUN dient u onderstaande reeks handelingen uit te voeren:

1. Controleer dat de voorschriften in deze handleiding en met name die vervat in hoofdstuk 1 "Aanbevelingen" nauwkeurig in acht genomen worden;
2. Ontgrendel de reductiemotor zoals dat in de paragraaf "Ontgrendeling en handmatige verplaatsing" is aangegeven in het hoofdstuk "Aanwijzingen en aanbevelingen bestemd voor de gebruiker van de reductiemotor RUN".
3. Controleer of het mogelijk is de vleugel handmatig te openen en te sluiten met een kracht die niet groter is dan 390N (ongeveer 40kg).
4. Vergrendel de reductiemotor.
5. Voer met behulp van de bedienings- of uitschakelingorganen

(sleutelschakelaar, bedieningstoetsen of radiozenders), tests voor het doen sluiten, openen en stoppen van de poort uit en verifieer of de manoeuvre uitgevoerd wordt zoals dat voorzien is.

6. Controleer één voor één of alle veiligheidsinrichtingen in de installatie (focellen, contactlijsten, noodstops, etc.) goed werken en verifieer dat de poort zich zo gedraagt als dat voorzien is. Telkens wanneer een van deze inrichtingen in werking treedt, dient het ledlampje "Blue-BUS" op de besturingseenheid 2 maal snel te knipperen ter bevestiging van het feit dat de besturingseenheid de gebeurtenis herkent.
7. Als gevaarlijke situaties als gevolg van de beweging van de vleugel opgeheven zijn door middel van beperking van de stootkracht, dient u deze kracht te meten volgens de voorschriften van de norm EN 12445. Als afstelling van de "Gevoeligheid van het systeem voor obstakeldetectie" en de aansturing van het "Motor-koppel" gebruikt worden als hulpmiddel voor het systeem om de stootkracht terug te brengen, probeer dan die instelling te vinden, welke de beste resultaten oplevert.

5.2) Inbedrijfstelling

Inbedrijfstelling kan alleen plaatsvinden nadat alle fasen van de eindtest van RUN en de andere aanwezige inrichtingen met succes zijn afgesloten. Gedeeltelijke inbedrijfstelling of inbedrijfstelling in "tijdelijke" situaties is niet toegestaan.

1. Maak een technisch dossier van de automatisering en bewaar dat tenminste 10 jaar, dat tenminste bestaat uit: de overzichtstekening van de automatisering, het elektrisch bedradingsschema, een analyse van de risico's en de toegepaste oplossing daarvoor, de conformiteitsverklaringen van alle fabrikanten voor alle gebruikte inrichtingen (gebruik voor RUN de bijgevoegde EG-Verklaring van overeenstemming); kopie van de gebruiksaanwijzingen en het onderhoudsplan van de automatisering.
2. Breng een plaatje op de poort aan met daarop tenminste de volgende gegevens: type automatisering, naam en adres van de fabrikant (verantwoordelijk voor de "inbedrijfstelling"), serienummer, bouwjaar en "CE"-keurmerk.

3. Breng in de nabijheid van de poort een niet te verwijderen etiket of plaatje aan waarop de handelingen zijn aangegeven voor het ontgrendelen en handmatig bewegen van de poort
4. Stel de conformiteitsverklaring voor de automatisering op en geef ze aan de eigenaar van de automatisering.
5. Maak de handleiding "Aanwijzingen en aanbevelingen voor het gebruik van de automatisering" en geef die aan de eigenaar van de automatisering.
6. Stel een onderhoudsplan (met daarin de voorschriften voor het onderhoud van alle inrichtingen van de automatisering) op en geef dit aan de eigenaar van de automatisering.
7. Informeer vóór de inbedrijfstelling van de automatisering de eigenaar uitvoerig en schriftelijk (bijvoorbeeld in de handleiding met aanwijzingen en aanbevelingen voor het gebruik van de automatisering) over de nog aanwezige gevaren en risico's.

6) Onderhoud en afvalverwerking

In dit hoofdstuk vindt u de benodigde informatie voor uitvoering van het onderhoudsplan en de afvalverwerking van RUN.

6.1) Onderhoud

Om de veiligheid op een constant niveau te houden en een zo lang mogelijke levensduur van de gehele automatisering te waarborgen is regelmatig onderhoud vereist; hiervoor beschikt RUN over een teller voor de manoeuvres en een systeem dat signaleert dat het tijd voor onderhoud is; zie paragraaf "7.4.4 Onderhoudswaarschuwing".

⚠ Het onderhoud moet uitgevoerd worden met volledige inachtneming van de veiligheidsvoorschriften van deze handleiding en volgens de van kracht zijnde wettelijke voorschriften en regelgeving.

Volg voor de andere inrichtingen die niet tot de RUN behoren de

aanwijzingen van het desbetreffende onderhoudsplan daarvoor op

1. Voor RUN is een geprogrammeerde onderhoudsbeurt vereist die op zijn minst binnen 6 maanden of 20.000 manoeuvres na de vorige onderhoudsbeurt uitgevoerd moet worden
2. Koppel alle bronnen van elektrische stroomvoorziening los
3. Controleer alle materialen waaruit de automatisering bestaat op kwaliteitsvermindering en let daarbij met name op aantasting of roestvorming van de structurele delen; vervang die delen welke onvoldoende garantie bieden.
4. Controleer de staat van slijtage van alle bewegende delen: rondsel, tandheugel en alle delen van de poort; vervang de versleten onderdelen.
5. Sluit de elektrische stroomvoorziening weer aan en voer alle test en controles uit zoals die in paragraaf "5.1 Eindtest" voorzien zijn.

6.2) Afvalverwerking

Wanneer de levensduur van dit product ten einde is, dienen, zoals dit ook bij de installatiewerkzaamheden het geval is, de ontmantelingwerkzaamheden door gekwalificeerd personeel uitgevoerd te worden. Dit product bestaat uit verschillende soorten materialen, waarvan sommige gerecycleerd kunnen worden. Win inlichtingen over de methoden van hergebruik of afvalverwerking in en houd u aan de plaatselijk van kracht zijnde voorschriften.

⚠ Sommige elektronische onderdelen zouden vervuilde of gevaarlijke stoffen kunnen bevatten; als die in het milieu terecht zouden komen zouden ze schadelijke gevolgen voor het milieu en de menselijke gezondheid kunnen veroorzaken.

Zoals u kunt zien aan het symbool op afbeelding 22 is het verboden dit product met het gewone huisvuil weg te gooien. Scheid uw afval voor verwerking op een manier zoals die in de plaatselijke regelgeving voorzien is; of lever het product bij uw leverancier in wanneer u een nieuw gelijksoortig product koopt.



De plaatselijke regelgeving kan in zware straffen voorzien in geval van illegale dumping van dit product.

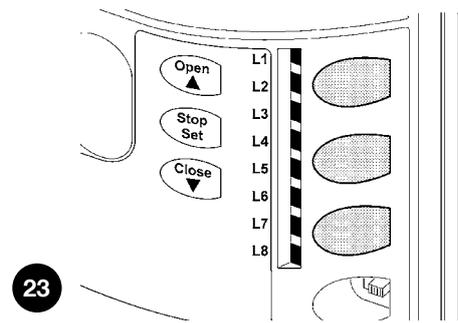
7) Verdere details

In dit hoofdstuk worden de mogelijkheden ten aanzien van programmering, aanpassing aan de persoonlijke behoeften van de gebruiker, diagnostiek en opsporing van storingen met betrekking tot RUN behandeld.

7.1) Programmeertoetsen

Op de besturingseenheid van RUN bevinden zich 3 toetsen die gebruikt kunnen worden zowel om de besturingseenheid tijdens de tests aan te sturen als voor het programmeren:

Open ▲	Met de toets "OPEN" kunt u het openen van de poort aansturen of het punt van programmering naar boven verplaatsen
Stop Set	Met de toets "STOP" kunt u de manoeuvre onderbreken; als u hem langer dan 5 seconden ingedrukt houdt kunt u de programmering binnengaan.
Close ▼	Met de toets "CLOSE" kunt u het sluiten van de poort aansturen of het punt van programmering naar beneden verplaatsen



7.2) Programmering

Op de besturingseenheid van RUN zijn enkele programmeerbare functies beschikbaar; instelling van deze functies vindt plaats met behulp van 3 toetsen op de besturingseenheid: [▲] [Set] [▼] en worden via 8 ledlampjes: L1...L8 zichtbaar gemaakt.

De programmeerbare functies welke op RUN beschikbaar zijn, zijn over 2 niveaus verdeeld:

Eerste niveau: functies instelbaar in modus ON-OFF (actief of niet actief); in dit geval geeft elk ledlampje L1...L8 een functie aan; als het aan is, is de functie actief, als het uit is, is de functie niet actief; zie tabel 7.

Tweede niveau: parameters die instelbaar zijn op een schaal met waarden van 1 tot 8; in dit geval geeft elk ledlampje L1...L8 de waarde aan die uit 8 mogelijkheden is gekozen; zie tabel 9.

7.2.1) Functies eerste niveau (functies ON-OFF)

Tabel 7: lijst programmeerbare functies: eerste niveau

Led	Functie	Beschrijving
L1	Automatische sluiting	Met deze functie is een automatische sluiting van de poort mogelijk na afloop van de geprogrammeerde pauzeduur; in de fabriek is de Pauzeduur afgesteld op 30 seconden maar dit kan gewijzigd worden in 5, 15, 30, 45, 60, 80, 120 of 180 seconden. Als de functie niet actief is, werkt de poort "semi-automatisch".
L2	Terugloop na Foto	Met deze functie is het mogelijk de poort zo lang open te houden als nodig is om er doorheen te gaan; door het in werking treden van "Foto" gaat de poort automatisch weer dicht na een pauzeduur van 5s (onafhankelijk van de geprogrammeerde waarde). Dit verandert al naar gelang de functie "Automatische Sluiting" al dan niet actief is. Wanneer "Automatische Sluiting" niet actief is: De poort gaat steeds helemaal open (ook als Foto eerder vrij komt). Bij het vrijkomen van Foto gaat de poort automatisch weer dicht na een pauze van 5s. Wanneer "Automatische Sluiting" actief is: de openingsmanoeuvre wordt onmiddellijk na het vrijkomen van de fotocellen onderbroken en de poort gaat automatisch weer dicht na een pauze van 5s. De functie "Terugloop na Foto" wordt altijd uitgeschakeld wanneer een manoeuvre met een instructie "Stop" onderbroken is. Als de functie "Terugloop na Foto" niet actief is, zal de pauzeduur overeenkomen met de geprogrammeerde pauzeduur of er zal de poort niet automatisch dicht gaan als de functie niet actief is.
L3	Sluit altijd	De functie "Sluit altijd" treedt in werking, waarbij een sluiting veroorzaakt wordt, wanneer bij terugkeer van de stroom wordt geconstateerd dat de poort open is. Om veiligheidsredenen wordt deze manoeuvre voorafgegaan door een voorwaarschuwing van 5s. Als de functie niet actief is zal bij terugkeer van de stroom de poort blijven staan.
L4	Snelheidsafname	Wanneer u deze functie activeert, vindt er snelheidsafname aan het einde van de openings- en sluit manoeuvre plaats. De mate van snelheidsafname is ongeveer 60% van de nominale snelheid. Let op! tijdens de snelheidsafname ontwikkelt de motor slechts de helft van het nominale koppel; het is dus niet mogelijk de functie snelheidsafname toe te passen op zware poorten of op poorten die het maxi male koppel vereisen. Als de snelheidsafname niet actief is zal de snelheid tijdens de gehele manoeuvre constant zijn.
L5	Start	Met het activeren van deze functie wordt de geleidelijke toename van de snelheid aan het begin van de manoeuvre uitgeschakeld; hierdoor is het mogelijk de grootste kracht bij het starten te hebben en dit is nuttig wanneer er een grote statische weerstand is, bijvoorbeeld in geval van sneeuw of ijs die een belemmering voor de vleugel zijn. Als de start niet actief is, begint de manoeuvre met een geleidelijke toename van de snelheid
L6	Voorwaarschuwing	Met de functie voorwaarschuwing wordt er een pauze van 3s aangehouden tussen het moment waarop het knipperlicht gaat branden en de manoeuvre begint om van te voren voor een gevaarlijke situatie te waarschuwen. Als de voorwaarschuwing niet actief is, zal het knipperlicht tegelijk met het begin van de manoeuvre aan gaan.
L7	"Sluit" wordt "Open gedeeltelijk"	Door deze functie te activeren, activeren alle instructies "Sluit" (ingang "CLOSE" of radio-instructie "Sluit") een manoeuvre van gedeeltelijke opening (zie led L6 op tabel 9).
L8	Modus "Slave" (slaaf)	Door deze functie te activeren wordt RUN "Slave" (slaaf): zo is het mogelijk de werking van 2 motoren op tegenoverliggende vleugels te synchroniseren waarbij één motor als Master werkt en één als Slave; voor meer details gelieve u paragraaf "7.3.5 RUN in modus "Slave" te raadplegen.

Bij normaal functioneren van RUN zijn de ledlampjes L1...L8 aan of uit op basis van de status van de functie waaraan zij gekoppeld zijn, bijvoorbeeld L1 is aan, als de functie "Automatisch sluiten" actief is.

7.2.2 Programmering eerste niveau (functies ON-OFF)

In de fabriek worden alle functies van het eerste niveau op "OFF" gezet, maar dat kan op elk gewenst moment veranderd worden zoals in tabel 8 is aangegeven. Let bij het uitvoeren van deze procedure goed op, want er is een tijdlimiet van 10s tussen het moment waarop u op de ene toets en vervolgens op de andere drukt; wanneer deze limiet overschreven wordt, zal de procedure automatisch beëindigd worden waarbij de wijzigingen die tot dat moment aangebracht zijn, in het geheugen worden opgeslagen.

Tabel 8: voor het wijzigen van de functies ON-OFF		Voorbeeld
1.	Druk op de toets [Set] en houd die ongeveer 3s ingedrukt	 3s
2.	Laat de toets [Set] los wanneer het ledlampje L1 begint te knipperen	
3.	Druk op de toets [▲] of [▼] om het knipperende ledlampje te verplaatsen op het ledlampje dat de te wijzigen functie vertegenwoordigt	
4.	Druk op de toets [Set] om de status van de functie te wijzigen (kort knipperen = OFF; lang knipperen = ON)	
5.	Wacht 10s om de programmering wegens het verstrijken van de maximale tijdsduur te verlaten	 10s

N.B.: de punten 3 en 4 kunnen tijdens dezelfde programmeringsfase herhaald worden om andere functies op ON of OFF te zetten

7.2.3 Functies tweede niveau (instelbare parameters)

Tabel 9: lijst programmeerbare functies: tweede niveau				
Led ingang	Parameter	Led (niveau)	waarde	Beschrijving
L1	Pauzeduur	L1	5 seconden	Stelt de pauzeduur af, dat wil zeggen de tijd die er verstrijkt voordat de poort weer automatisch dicht gaat. Dit werkt alleen als de functie automatisch sluiten actief is.
		L2	15 seconden	
		L3	30 seconden	
		L4	45 seconden	
		L5	60 seconden	
		L6	80 seconden	
		L7	120 seconden	
		L8	180 seconden	
L2	Functie P.P.	L1	Open - stop - sluit - stop	Stelt de reeks instructies af die gekoppeld zijn aan de ingang P.P of aan de eerste radio-instructie.
		L2	Open - stop - sluit - open	
		L3	Open - sluit - open - sluit	
		L4	Woonblok	
		L5	Woonblok 2 (langer dan 2" veroorzaakt een stop)	
		L6	Stap-voor-stap 2 (korter dan 2" veroorzaakt een gedeeltelijke opening)	
		L7	Iemand aanwezig	
		L8	Opening "semi-automatisch", sluiting "iemand aanwezig"	
L3	Gevoeligheid obstakel-detectie	L1	Uiterst hoge gevoeligheid (lichte poorten)	Stelt de gevoeligheid van het systeem voor obstakeldetectie af. Let erop dat de gevoeligheid ook beïnvloed wordt door de kracht van de motor (zie L5); de aansturing van de kracht van de motor dient als eerste afgesteld te worden; pas daarna kan de gevoeligheid van het systeem voor obstakeldetectie afgesteld worden.
		L2	Zeer hoge gevoeligheid	
		L3	Hoge gevoeligheid	
		L4	Gemiddelde gevoeligheid	
		L5	Middellage gevoeligheid	
		L6	Lage gevoeligheid	
		L7	Zeer lage gevoeligheid	
		L8	Uiterst lage gevoeligheid (zware poorten)	
L4	Uitgang S.C.A.	L1	Functie "Controlelampje Poort Open"	Stelt de aan de uitgang S.C.A. gekoppelde functie af (welke functie ook aan de uitgang gekoppeld is, levert ze, indien actief, een spanning van 24V -30 +50% met een maximumvermogen van 4W).
		L2	Actief bij gesloten vleugel	
		L3	Actief bij open vleugel	
		L4	Actie met radio-uitgang 2	
		L5	Actie met radio-uitgang 3	
		L6	Actie met radio-uitgang 4	
		L7	Controlelampje onderhoud	
		L8	Elektrisch slot	
L5	Aansturing motorkracht	L1	Continu op 40%	Stelt nadat de motor gestart is, de kracht van de motor af op basis van het gewicht van de poort. Het controlesysteem meet ook de omgevingstemperatuur en verhoogt automatisch de kracht wanneer de temperatuur bijzonder laag is.
		L2	Continu op 50%	
		L3	Continu op 60%	
		L4	Continu op 80%	
		L5	Continu op 100%	
		L6	Semi-automatisch 1=40÷100%(1)	
		L7	Semi-automatisch 2=60÷100%(1)	
		L8	Automatisch = 0÷100% (2)	

Led ingang	Parameter	Led (niveau)	waarde	Beschrijving
L6	Gedeeltelijke opening	L1	0,5 mt	Stelt de mate van gedeeltelijke opening af. De gedeeltelijke opening kan met een 2de radio-instructie of met "SLUIT" worden aangestuurd; als die functie er is, wordt "Sluit" "Open gedeeltelijk".
		L2	1 mt	
		L3	1,5 mt	
		L4	2 mt	
		L5	2,5 mt	
		L6	3 mt	
		L7	3,4 mt	
		L8	4 mt	
L7	Onderhoudswaarschuwing	L1	Automatisch (op basis van de zwaarte van de manoeuvres)	Stelt het aantal manoeuvres af waarna het verzoek voor onderhoud van de automatisering gesignaleerd moet worden (zie paragraaf "7.4.4 Onderhoudswaarschuwing").
		L2	2.000	
		L3	4.000	
		L4	7.000	
		L5	10.000	
		L6	15.000	
		L7	20.000	
		L8	30.000	
L8	Lijst anomalieën	L1	Uitkomst 1 ^{ste} manoeuvre (de meest recente)	Hiermee kan het type anomalieën dat tijdens de laatste 8 manoeuvres opgetreden is, geverifieerd worden (zie paragraaf "7.6.1 Historie anomalieën").
		L2	Uitkomst 2 ^{de} manoeuvre	
		L3	Uitkomst 3 ^{de} manoeuvre	
		L4	Uitkomst 4 ^{de} manoeuvre	
		L5	Uitkomst 5 ^{de} manoeuvre	
		L6	Uitkomst 6 ^{de} manoeuvre	
		L7	Uitkomst 7 ^{de} manoeuvre	
		L8	Uitkomst 8 ^{ste} manoeuvre	

Opmerking: "■" dit geeft de fabrieksinstelling weer.

Opmerking (1): Stelt automatisch de benodigde kracht af waarbij een minimumniveau gegarandeerd blijft.

Opmerking (2): Stelt automatisch de benodigde kracht af.

Alle parameters kunnen naar believen zonder enige contra-indicatie worden afgesteld; alleen het afstellen van de "Gevoeligheid van het systeem voor obstakeldetectie" en de "Aansturing motorkracht" zou enige nadere aandacht kunnen vereisen:

- Het is ten sterkste af te raden hoge krachtwaarden te gebruiken om het feit te compenseren dat de vleugel punten met een hoge wrijvingswaarde heeft; een te grote kracht kan afbreuk doen aan de werking van het veiligheidssysteem of schade aan de vleugel toebrengen.
- Als de controle van de "Gevoeligheid van het systeem voor obstakeldetectie" gebruikt wordt als hulpmiddel voor het systeem de stootkracht bij botsing te beperken dient na elke afstelling de kracht opnieuw gemeten te worden, zoals de norm EN 12445 dat voorschrijft.
- Slijtage en weersinvloeden zijn van invloed op de manoeuvre van de poort; zo af en toe dient de afstelling van de kracht opnieuw gecontroleerd te worden.

7.2.4) Programmering tweede niveau (instelbare parameters)

In de fabriek worden alle instelbare parametersfuncties ingesteld zoals in tabel 9 wordt aangegeven met: "■" maar die kunnen op elk gewenst moment worden gewijzigd zoals in tabel 10 is aangegeven. Let bij het uitvoeren van deze procedure goed op, want er is een tijdlimiet van 10s tussen het moment waarop u op de ene toets en vervolgens op de andere drukt; wanneer deze limiet overschreven wordt zal de procedure automatisch beëindigd worden waarbij de wijzigingen dit tot dat moment aangebracht zijn, in het geheugen worden opgeslagen.

Tabel 10: voor het wijzigen van instelbare parameters		Voorbeeld
1.	Druk op de toets [Set] en houd die ongeveer 3s ingedrukt	 3s
2.	Laat de toets [Set] los wanneer het ledlampje L1 begint te knipperen	 L1 
3.	Druk op de toetsen [▲] of [▼] om het knipperende ledlampje te verplaatsen op het "ledlampje ingang" dat de te wijzigen parameter vertegenwoordigt	  of   
4.	Druk op de toets [Set] en houd die ingedrukt; de toets [Set] dient tijdens de stappen 5 en 6 voortdurend ingedrukt te blijven	
5.	Wacht ongeveer 3s waarna dat ledlampje zal gaan branden dat het actuele niveau van de te wijzigen parameter vertegenwoordigt	
6.	Druk op de toetsen [▲] of [▼] om het ledlampje dat de waarde van de parameter vertegenwoordigt, te verplaatsen.	  of   
7.	Laat de toets [Set] los	
8.	Wacht 10s om de programmering wegens het verstrijken van de maximale tijdsduur te verlaten.	 10s

N.B.: de punten 3 tot 7 kunnen tijdens dezelfde programmeringsfase herhaald worden om nog meer parameters in te stellen

7.2.5 Voorbeeld van programmering van het eerste niveau (functies ON-OFF)

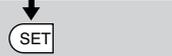
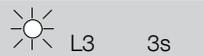
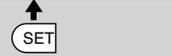
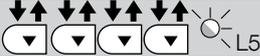
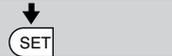
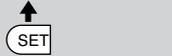
Als voorbeeld wordt de reeks handelingen gegeven die noodzakelijk is voor het wijzigen van de fabrieksinstelling van de functies voor het activeren van de functies "Automatisch Sluiten" (L1) en "Sluit altijd" (L3).

	Voorbeeld
1. Druk op de toets [Set] en houd die ongeveer 3s ingedrukt	
2. Laat de toets [Set] los wanneer het ledlampje L1 begint te knipperen	
3. Druk één maal op toets [Set] om de status van de aan L1 gekoppelde functie (Automatische Sluiting) te wijzigen; nu zal het ledlampje L1 met lange knipperingen gaan knipperen	
4. Druk 2 maal op toets [▼] om het knipperende ledlampje op het ledlampje L3 te verplaatsen	
5. Druk één maal op de toets [Set] om de status van de aan L3 gekoppelde functie (Sluit altijd) te wijzigen; nu zal het ledlampje L3 met lange knipperingen gaan knipperen	
6. Wacht 10s om de programmering wegens het verstrijken van de maximale tijdsduur te verlaten.	

Na deze handelingen moeten de ledlampjes L1 en L3 blijven branden om aan te geven dat de functies "Automatisch Sluiten" en "Sluit altijd" actief zijn.

7.2.6 Voorbeeld van programmering tweede niveau (instelbare parameters)

Als voorbeeld geven wij de reeks handelingen die nodig is om de fabrieksinstelling van de parameters te wijzigen en de de "Pauzeduur" op 60s (ingang op L1 en niveau op L5) te verlengen "Motorkracht" voor lichte poorten te verminderen (ingang op L5 en niveau op L3)

	Voorbeeld
1. Druk op de toets [Set] en houd die ongeveer 3s ingedrukt	
2. Laat de toets [Set] los wanneer het ledlampje L1 begint te knipperen	
3. Druk op de toets [Set] en houd die ingedrukt; de toets [Set] dient tijdens de stappen 4 en 5 ingedrukt te blijven	
4. Wacht ongeveer 3s tot het ledlampje L3 gaat branden dat het actuele niveau van de "Pauzeduur" vertegenwoordigt	
5. Druk 2 maal op de toets [▼] om het brandende ledlampje naar L5 te verplaatsen dat de nieuwe waarde van de "Pauzeduur" vertegenwoordigt	
6. Laat de toets [Set] los	
7. Druk 4 maal op de toets [▼] om het knipperende ledlampje naar het ledlampje L5 te verplaatsen	
8. Druk op de toets [Set] en houd die ingedrukt; de toets [Set] dient tijdens de stappen 9 en 10 ingedrukt te blijven	
9. Wacht ongeveer 3s tot het ledlampje L5 gaat branden dat het actuele niveau van de "Motorkracht" vertegenwoordigt.	
10. Druk 3 maal op de toets [▲] om het brandende ledlampje naar het ledlampje L3 te verplaatsen dat de nieuwe waarde van de "Motorkracht" vertegenwoordigt.	
11. Laat de toets [Set] los	
12. Wacht 10s om de programmering wegens het verstrijken van de maximale tijdsduur te verlaten	

7.3) Bijplaatsen of wegnemen van inrichtingen

U kunt op elk gewenst moment een inrichting aan een automatisering met RUN toevoegen of er een uit verwijderen. Met name op "BlueBUS" en de ingang "STOP" kunnen verschillende soorten inrichtingen worden aangesloten zoals dat in de volgende paragrafen aangegeven is.

Nadat er inrichtingen zijn toegevoegd of verwijderd, is het noodzakelijk een herkenningsprocedure voor inrichtingen uit te voeren zoals dat in paragraaf "7.3.6 Herkennen van andere inrichtingen" beschreven is.

7.3.1) BlueBUS

BlueBUS is een techniek waarbij het mogelijk is alle compatibele inrichtingen slechts met twee draden aan te sluiten waarover zowel de elektrische stroom als de communicatiesignalen lopen. Alle inrichtingen worden parallel aangesloten op dezelfde 2 draden van BlueBUS en zonder dat daarbij de polariteit in acht genomen moet worden; elke inrichting wordt afzonderlijk herkend omdat die tijdens de installering een eenduidig adres wordt toegekend.

Op BlueBUS kunnen bijvoorbeeld fotocellen, veiligheidsinrichtingen,

bedieningstoetsen, signaleringslampjes etc aangesloten worden. De besturingseenheid van RUN herkent alle aangesloten inrichtingen één voor één via een adequate herkenningsprocedure en is in staat om met de grootst mogelijke zekerheid alle eventuele anomalieën te detecteren. Om deze reden is het telkens wanneer er een op BlueBUS aangesloten inrichting toegevoegd of verwijderd wordt, noodzakelijk de herkenningsprocedure in de besturingseenheid uit te voeren zoals dat in paragraaf "7.3.6 Herkennen van andere inrichtingen" beschreven is.

7.3.2 Ingang STOP

STOP is de ingang die onmiddellijke onderbreking de manoeuvre veroorzaakt (met een kortstondige omkering). Op deze ingang kunnen de inrichtingen met uitgang met normaal open contacten "NA" aangesloten worden, maar ook inrichtingen met normaal gesloten contacten "NC" of inrichtingen met een uitgang met constante weerstand 8,2kΩ, zoals bijvoorbeeld de contactlijsten.

Zoals voor BlueBUS, herkent de besturingseenheid het soort inrichting dat tijdens de herkenningsfase op de ingang STOP is aangesloten (zie paragraaf "7.3.6 Herkennen van andere inrichtingen"); daarna wordt er een STOP veroorzaakt indien er zich een wijziging ten opzichte van de herkende staat voordoet.

Door het uitvoeren van de juiste handelingen kunt u op de STOP-ingang meer dan één inrichting aansluiten, ook al zijn die niet van het hetzelfde type:

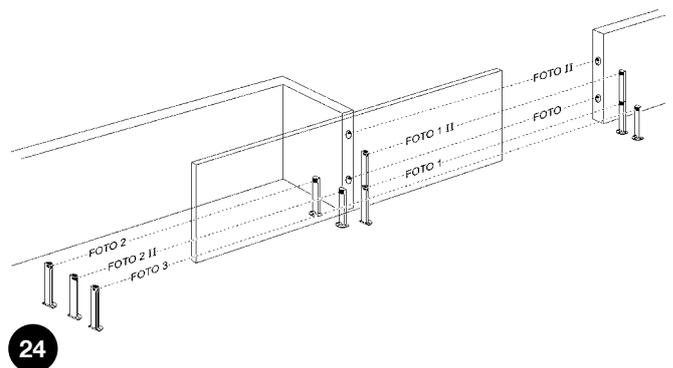
- Er kunnen meerdere NO inrichtingen parallel op elkaar aangesloten worden zonder beperking van het aantal daarvan.

- Er kunnen meerdere NC inrichtingen serieel op elkaar aangesloten worden zonder beperking van het aantal daarvan.
- 2 inrichtingen met een uitgang met constante weerstand 8,2kΩ kunnen parallel geschakeld worden; als er meer dan 2 inrichtingen zijn via een „cascadeschakeling“ op één enkele eindweerstand van 8,2kΩ aangesloten worden.
- Een combinatie NA en NC is mogelijk door de 2 contacten parallel te schakelen en met contact NC serieel een weerstand van 8,2kΩ te verbinden (en dus is ook de combinatie van de 3 inrichtingen mogelijk: NO, NC en 8,2kΩ).

⚠ Indien de ingang STOP gebruikt wordt om inrichtingen met een veiligheidsfunctie aan te sluiten, garanderen alleen die inrichtingen welke een uitgang met een constante weerstand van 8,2kΩ hebben, de veiligheids categorie 3 tegen storingen volgens de norm EN 954-1.

7.3.3 Fotocellen

Het systeem "BlueBUS" biedt de mogelijkheid de besturingseenheid via adressering met speciale jumpers de fotocellen te laten herkennen en de correcte detectiefunctie toe te kennen. Adressering dient zowel op TX als op RX uitgevoerd te worden (waarbij de jumpers op dezelfde manier geplaatst moeten worden); hierbij dient u na te gaan of er geen andere stellen fotocellen met hetzelfde adres bestaan. In een automatische voor schuifpoorten met RUN is het mogelijk de fotocellen te installeren zoals dat op afbeelding 24 is aangegeven. Na het installeren of verwijderen van fotocellen dient er een herkeningsprocedure in de besturingseenheid uitgevoerd te worden zoals dat in paragraaf "7.3.6 Herkennen van andere inrichtingen" beschreven is.



Tabel 13: adressen van de fotocellen

Fotocel	Jumpers	Fotocel	Jumpers
FOTO Fotocel buitenzijde h = 50 die bij het sluiten in werking treedt		FOTO 2 Fotocel buitenzijde die bij het openen in werking treedt	
FOTO II Fotocel buitenzijde h = 100 die bij het sluiten in werking treedt		FOTO 2 II Fotocel binnenzijde die bij het openen in werking treedt	
FOTO 1 Fotocel binnenzijde h = 50 die bij het sluiten in werking treedt		FOTO 3 Eén enkele fotocel die het gehele automatische dekt	
FOTO 1 II Fotocel binnenzijde h = 100 die bij het sluiten in werking treedt		⚠ Installatie van FOTO 3 samen met FOTO II vereist dat de plaats van de elementen waaruit de fotocel bestaat (TX - RX) zodanig is als in de handleiding met aanwijzingen voor de fotocellen aangegeven is.	

7.3.4 Fotosensor FT210B

De fotosensor FT210B verenigt in één enkele inrichting een systeem voor krachtbeperking (type C volgens de norm EN12453) en een detectie-inrichting voor obstakels op de optische as tussen de zender TX en de ontvanger RX (type D volgens de norm EN12453). In de fotosensor FT210B worden de signalen van de status van de contactlijst via de straal van de fotocel verzonden waarbij de 2 systemen in één enkele inrichting geïntegreerd worden. Het zenderdeel op de mobiele vleugel wordt door batterijen van stroom voorzien waardoor lelijke koppelingssystemen vermeden worden; speciale circuits verminderen het verbruik van de batterij zodat er een levensduur van maximaal 15 jaar gegarandeerd kan worden (zie de details van deze schatting in de aanwijzingen voor dit product).

Eén enkele inrichting FT210B in combinatie met een contactlijst (voorbeeld TCB65) maakt het mogelijk het veiligheidsniveau van de "primaire contactlijst" te bereiken dat de norm EN12453 voor elk "type gebruik" en "type activering" vereist.

De fotosensor FT210B gecombineerd met contactlijsten "op een weerstand" (8,2Kohm), is veilig voor wat betreft een afzonderlijk defect (categorie 3 volgens EN 954-1). De inrichting beschikt over een speciaal circuit ter voorkoming van botsingen dat interferentie met andere detectie-inrichtingen voorkomt ook al zijn die niet gesynchroniseerd, en biedt de mogelijkheid andere fotocellen bij te plaatsen; bijvoorbeeld indien er zware voertuigen door de poort gaan, waar normaal gesproken een tweede fotocel op een hoogte van 1 m van de grond geplaatst wordt.

Voor verdere informatie omtrent de manier van aansluiten en adresseren gelieve u de handleiding met aanwijzingen voor FT210B te raadplegen.

7.3.5) RUN in modus "Slave"

Bij een juiste programmering en aansluiting kan RUN in de modus "Slave" (slaaf) werken; deze werkingsmodus wordt gebruikt indien het nodig is 2 tegenover elkaar geplaatste vleugels te automatiseren en u wilt dat deze vleugels synchroon lopen. In deze modus functioneert één RUN als Master (meester) dat wil zeggen hij stuurt de manoeuvres aan, terwijl de tweede RUN als Slave functioneert, dat wil zeggen de door de Master verstuurde instructies uitvoert (alle RUN verlaten de fabriek als Master).

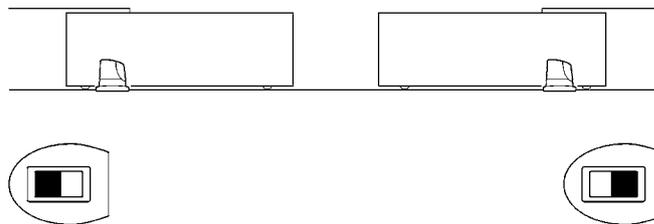
Voor het configureren van RUN als Slave dient u de functie van het eerste niveau "Modus Slave" te activeren (zie tabel 7).

De koppeling tussen de RUN Master en de RUN Slave vindt via BlueBUS plaats.

⚠ In dit geval dient de polariteit in de koppeling tussen de twee RUN gevolgd te worden zoals dat op afbeelding 26 te zien is (voor de andere inrichtingen geldt nog steeds dat er niet op de polariteit hoeft te worden gelet).

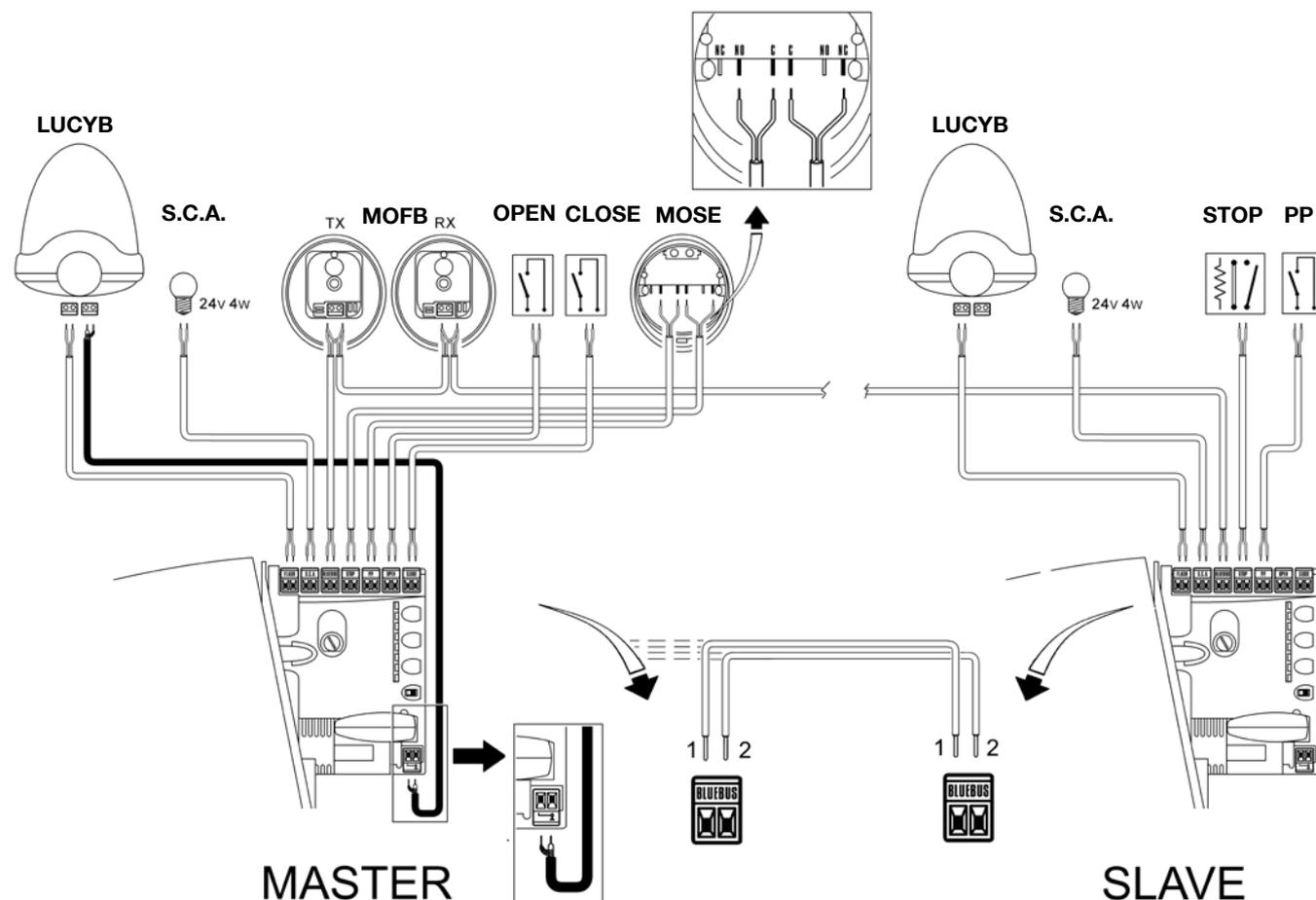
Voor het installeren van 2 RUN in modus Master en Slave dient u de volgende handelingen uit te voeren:

- Installeer de 2 motoren zoals dat op afbeelding 25 te zien is. Het is niet van belang welke motor als Master en welke als Slave werkt; bij de keuze hiervan dient u rekening te houden met het gemak van de aansluitingen en het feit dat de instructie Stap-voor-Stap op de Slave alleen de algehele opening van de vleugel Slave mogelijk maakt.



25

- Sluit de 2 motoren aan zoals dat op afbeelding 26 te zien is.
- Selecteer de richting van de openingsmanoeuvre van de 2 motoren zoals dat op afbeelding 25 aangegeven is (zie ook paragraaf "4.1 Keuze van de richting").
- Breng de 2 motoren onder spanning.
- Programmeer in de RUN Slave de functie "Modus Slave" (zie tabel 7).
- Voer de herkenningsprocedure van de inrichtingen op RUN Slave uit (zie paragraaf "4.3 Herkennen van de inrichtingen").
- Voer de herkenningsprocedure van de inrichtingen op RUN Master uit (zie paragraaf "4.3 Herkennen van de inrichtingen").
- Voer de herkenningsprocedure van de vleugellengte op RUN Master uit (zie paragraaf "4.4 Herkennen van de vleugellengte").



26

Bij het koppelen van 2 RUN in de modus Master-Slave dient u op het volgende te letten:

- Alle inrichtingen dienen op RUN Master aangesloten te worden (zoals op afb. 26) met inbegrip van de radio-ontvanger.
- Er wordt geen enkele programmering op RUN Slave in acht genomen (programmering op RUN Master heeft voorrang) met uitzondering van die welke u in tabel 14 vindt.

Tabel 14: programmering op RUN Slaves onafhankelijk van RUN Master

Funcities van het eerste niveau (funcities ON - OFF)	Funcities van het tweede niveau (instelbare parameters)
Stand-by	Gevoeligheid van het systeem voor obstakeldetectie
Start	Uitgang SCA
Modus Slave	Aansturing motorkoppel
	Lijst anomalieën

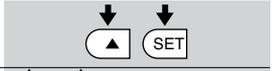
In de Slave is het mogelijk aan te sluiten:

- een eigen knipperlicht (Flash)
- een eigen Controlelampje Poort Open (S.C.A.)
- een eigen contactlijst (Stop)
- een eigen aansturinginrichting (P.P.) die de algehele opening alleen van de vleugel Slave aanstuurt
- In de Slave worden de ingangen Open en Close niet gebruikt

7.3.6) Herkennen van andere inrichtingen

Normaal gesproken vindt de herkenningsprocedure van de op BlueBUS en de ingang STOP aangesloten inrichtingen tijdens de installatiefase plaats; als er echter inrichtingen worden bijgeplaatst of verwijderd is het mogelijk de herkenningsfase opnieuw uit te voeren zoals dat in tabel 15 is weergegeven.

Tabel 15: voor het herkennen van andere inrichtingen

	Voorbeeld
1. Druk op de toetsen [▲] en [Set]	
2. Laat de toetsen los wanneer de ledlampjes L1 en L2 zeer snel beginnen te knipperen (na ongeveer 3s)	
3. Wacht enkele seconden totdat de besturingseenheid het herkennen van de inrichtingen beëindigd heeft	
4. Na afloop van de herkenningsprocedure zullen de ledlampjes L1 en L2 ophouden te knipperen, terwijl het ledlampje STOP moeten blijven branden en de ledlampjes L1...L8 zullen gaan branden op basis van de status van de funcities ON-OFF die zij vertegenwoordigen.	

⚠ Nadat er inrichtingen toegevoegd of verwijderd zijn is het noodzakelijk opnieuw de eindtest van de automatisering uit te voeren en wel volgens wat er in in paragraaf "5.1 Eindtest" aangegeven is".

7.4) Speciale funcities

7.4.1) Functie "Open altijd"

De functie "Open Altijd" is een eigenschap van de besturingseenheid waardoor het mogelijk is altijd een openingsmanoeuvre aan te sturen wanneer de instructie "Stap-voor-Stap" langer dan 2 seconden duurt; dit is met name nuttig bij het aansluiten van het contact van een

tijdschakelklok op het klemmetje P.P. om de poort tijdens een bepaald tijdsbestek open te houden. Deze eigenschap is geldig ongeacht de programmering van de ingang PP, met uitzondering van de programmering als "Sluit", zie parameter "Functie PP" in tabel 9.

7.4.2) Functie "Beweeg in ieder geval"

Mocht de een of andere veiligheidsinrichting niet correct werken of buiten gebruik zijn, dan is het toch mogelijk de poort in de modus "Iemand aanwezig" aan te sturen en te manoeuvreren.

Zie voor de details de paragraaf "Bediening terwijl de veiligheidsinrichtingen buiten gebruik zijn" in de bijlage "Aanwijzingen en aanbevelingen bestemd voor de gebruiker van de reductiemotor RUN".

7.4.3) Controlesysteem voor verwarming en afkoeling

RUN beschikt over een geraffineerd controlesysteem voor de temperatuur van de motor. De interne temperatuur van RUN wordt met een specifieke sensor gemeten en gebruikt om het systeem voor klimaatregeling aan te sturen. Dit systeem kan de motor verwarmen wanneer de

buitentemperatuur onder de drempel van ongeveer 0°C komt, (als de functie "Verwarming" geactiveerd is met behulp van "OperaView", de inrichting voor het programmeren op afstand); of afkoeling van de motor bespoedigen wanneer de temperatuur de 40°C overschrijdt.

7.4.4) Onderhoudswaarschuwing

RUN biedt de gebruiker de mogelijkheid te waarschuwen wanneer er een onderhoudscontrole van de automatisering dient te worden uitgevoerd. Het aantal manoeuvres waarna signalering plaatsvindt, kan uit 8 niveaus geselecteerd worden en wel via de instelbare parameter "Onderhoudswaarschuwing" (zie tabel 9). Het niveau 1 van afstelling is "automatisch" en houdt rekening met de zwaarte van de manoeuvres, dat wil zeggen de belasting en de duur van de manoeuvre, terwijl de

andere afstellingen op basis van het aantal manoeuvres vastgesteld zijn. Signalering van het verzoek om onderhoud vindt plaats via het knipperlicht Flash of op de lamp die op de uitgang S.C.A. is aangesloten wanneer die geprogrammeerd is als "Controlelampje Onderhoud" (zie tabel 9). Op basis van het aantal uitgevoerde manoeuvres ten opzichte van de geprogrammeerde limiet signaleren het knipperlicht Flash en het controlelampje onderhoud wat in tabel 16 aangegeven is.

Tabel 16: Onderhoudswaarschuwing met Flash en controlelampje onderhoud

Aantal manoeuvres	Signalering op Flash	Signalering op het controlelampje onderhoud
Minder dan 80% van de limiet	Normaal (0,5s aan, 0,5s uit)	Blijft ongeveer 2s branden bij het begin van de openingsmanoeuvre
Tussen 81 en 100% van de limiet	Blijft aan het begin van de manoeuvre ongeveer 2s branden en gaat daarna normaal verder	Knippert zolang de manoeuvre duurt
Meer dan 100% van de limiet	Blijft aan het begin en einde van de manoeuvre ongeveer 2s branden en gaat daarna normaal verder	Knippert altijd.

Controle van het aantal uitgevoerde manoeuvres

Met de functie "Onderhoudswaarschuwing" is het mogelijk het aantal uitgevoerde manoeuvres te controleren weergegeven in een percentage van de ingevoerde limiet. Om dit te controleren gaat u te werk zoals dat in tabel 17 beschreven is.

Tabel 17: controle van het aantal uitgevoerde manoeuvres		Voorbeeld
1.	Druk op de toets [Set] en houd die ongeveer 3s ingedrukt	
2.	Laat de toets [Set] los wanneer het ledlampje begint te knipperen	
3.	Druk op de toetsen [▲] of [▼] om het brandende ledlampje naar L7 te verplaatsen, dat wil zeggen het "ledlampje ingang" voor de parameter "Onderhoudswaarschuwing"	
4.	Druk op de toets [Set] en houd die ingedrukt; de toets [Set] moet tijdens alle stappen 5, 6 en 7 ingedrukt gehouden worden	
5.	Wacht ongeveer 3s; daarna zal het ledlampje gaan branden dat het actuele niveau van de parameter "Onderhoudswaarschuwing" vertegenwoordigt	
6.	Druk op de toetsen [▲] en [▼] en laat ze onmiddellijk los.	
7.	Het ledlampje dat behoort bij het geselecteerde niveau zal enkele malen knipperen. Het aantal knipperingen identificeert het percentage uitgevoerde manoeuvres (in veelvoud van 10%) ten opzichte van de ingestelde limiet. Bijvoorbeeld: als de onderhoudswaarschuwing op L5 is ingesteld, dat wil zeggen, dat 10% met 1000 manoeuvres overeenkomt; als het ledlampje 4 maal knippert, betekent dit dat de 40% van de manoeuvres bereikt is (dat wil zeggen tussen 4000 en 4999 manoeuvres). Als er nog geen 10% van de manoeuvres bereikt is zal het ledlampje helemaal niet gaan knipperen.	
8.	Laat de toets [Set] los.	

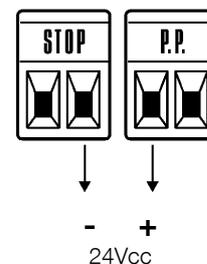
Terugstelling teller manoeuvres

Na het onderhoud op de installatie verricht te hebben dient u de teller manoeuvres terug te stellen. Ga te werk zoals dat in tabel 18 beschreven is.

Tabel 18: terugstelling teller manoeuvres		Voorbeeld
1.	Druk op de toets [Set] en houd die ongeveer 3s ingedrukt	
2.	Laat de toets [Set] los wanneer het ledlampje L1 begint te knipperen	
3.	Druk op de toetsen [▲] of [▼] om het brandende ledlampje naar L7 te verplaatsen, dat wil zeggen het "ledlampje ingang" voor de parameter "Onderhoudswaarschuwing"	
4.	Druk op de toets [Set] en houd die ingedrukt; de toets [Set] moet ingedrukt gehouden worden tijdens alle stappen 5 en 6	
5.	Wacht ongeveer 3s; daarna zal het ledlampje gaan branden dat het actuele niveau van de parameter "Onderhoudswaarschuwing" vertegenwoordigt	
6.	Druk op de toetsen [▲] en [▼] en houd die tenminste 5 seconden ingedrukt, laat vervolgens de 2 toetsen los. Het ledlampje dat bij het geselecteerde niveau behoort zal een aantal malen snel knipperen om aan te geven dat de teller van de manoeuvres teruggesteld is.	
7.	Laat de toets [Set] los.	

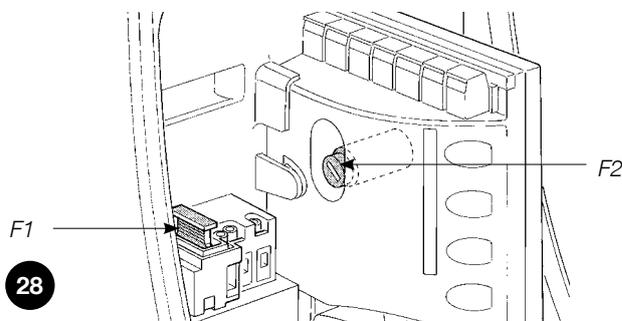
7.5) Aansluiting van andere inrichtingen

Mocht het nodig zijn externe inrichtingen zoals bijvoorbeeld een lezer voor transponderkaarten of het lampje van de verlichting van de sleutelschakelaar van stroom te voorzien, dan kunt u de stroom aansluiten zoals op afbeelding 27 te zien is. De spanning van de stroomtoevoer is 24Vcc -30% ÷ +50% met maximale beschikbare stroom van 100mA.



7.6) Oplossen van problemen

In tabel 19 kunt u nuttige aanwijzingen vinden om eventuele storingen te verhelpen die u tijdens de installatie of bij een eventueel defect tegen kunt komen.



Tabel 19: opsporen van storingen

Symptomen	Aanbevolen controles
De radiozender stuurt de poort niet aan en het ledlampje op de zender gaat niet branden.	Controleer of de batterijen van de zender leeg zijn; vervang ze zo nodig
De radiozender stuurt de poort niet aan, maar het ledlampje op de zender gaat branden	Controleer of de zender correct in het geheugen van de radio-ontvanger is opgeslagen
Er wordt geen enkele manoeuvre aangestuurd en het ledlampje "BlueBUS" knippert niet	Controleer of de stroomvoorziening naar de RUN de spanning van het elektriciteitsnet heeft. Vergewis u ervan dat de zekeringen niet onderbroken zijn; zo ja, dan dient u de oorzaak van de storing op te sporen en ze met andere met dezelfde stroomwaarde en kenmerken te vervangen.
Er wordt geen enkele manoeuvre aangestuurd en het knipperlicht is uit	Controleer of de instructie daadwerkelijk ontvangen is. Als de instructie de ingang PP bereikt, moet het ledlampje "PP" gaan branden; als daarentegen de radiozender gebruikt wordt, moet het ledlampje "BluBus" tweemaal snel knipperen
Er wordt geen enkele manoeuvre aangestuurd en het knipperlicht knippert enkele malen	Tel het aantal malen dat dat licht knippert en controleer aan de hand van de gegevens in tabel 21
De manoeuvre gaat van start, maar onmiddellijk daarna vindt er een terugloop plaats	De geselecteerde gevoeligheid van het systeem voor obstakeldetectie zou te hoog kunnen zijn voor het type poort. Controleer of er obstakels zijn en selecteer eventuele een lagere gevoeligheid.
De manoeuvre wordt regelmatig uitgevoerd maar het knipperlicht SCA werkt niet	Controleer of er tijdens de manoeuvre spanning op het klemmetje FLASH van het knipperlicht staat (daar het niet ononderbroken werkt, is de waarde van de spanning niet beduidend: ongeveer 10-30Vcc); als er spanning aanwezig is, is het probleem te wijten aan de lamp die vervangen zal moeten worden met een lamp met dezelfde kenmerken; als er geen spanning aanwezig is, zou er zich een overbelasting op de uitgang FLASH voorgedaan kunnen hebben; verifieer of er geen kortsluiting in de kabel is.
De manoeuvre wordt regelmatig uitgevoerd maar het controlelampje SCA werkt niet	Verifieer het type functie dat voor de uitgang SCA geprogrammeerd is (Tabel 9). Wanneer het controlelampje zou moeten hebben branden dient u te controleren of er spanning staat op het klemmetje SCA (ongeveer 24Vcc); als er spanning aanwezig is, is het probleem te wijten aan het controlelampje dat vervangen zal moeten worden met een controlelampje met dezelfde kenmerken; als er geen spanning aanwezig is, zou er zich een overbelasting op de uitgang SCA voorgedaan kunnen hebben; verifieer of er geen kortsluiting in de kabel is.

7.6.1) Lijst Historie anomalieën

RUN biedt u de mogelijkheid de eventuele anomalieën te tonen die zich tijdens de laatste 8 manoeuvres hebben voorgedaan, bijvoorbeeld de onderbreking van een manoeuvre als gevolg van het in werking treden van een fotocel of van een contactlijst. Om de lijst anomalieën te verifiëren gaat u te werk zoals dat in tabel 20 is aangegeven.

Tabel 20: Historie anomalieën

	Voorbeeld
1. Druk op de toets [Set] en houd die ongeveer 3s ingedrukt	
2. Laat de toets [Set] los wanneer het ledlampje L1 begint te knipperen	
3. Druk op de toetsen [▲] of [▼] om het brandende ledlampje naar L8 te verplaatsen, dat wil zeggen het "ledlampje ingang" voor de parameter "Lijst anomalieën"	
4. Druk op de toets [Set] en houd die ingedrukt; de toets [Set] moet tijdens alle stappen 5 en 6 ingedrukt gehouden worden	
5. Wacht ongeveer 3s; daarna zullen de ledlampjes gaan branden die overeenkomen met de manoeuvres waar zich een anomalie heeft voorgedaan. Het ledlampje L1 geeft de uitkomst van de meest recente manoeuvre aan, het ledlampje L8 geeft de uitkomst van de achtste aan. Als het ledlampje aan is, betekent dit dat er zich tijdens de manoeuvre anomalieën hebben voorgedaan; als het ledlampje uit is, betekent dit dat de manoeuvre ten einde is gekomen zonder anomalieën	
6. Druk op de toetsen [▲] en [▼] om de gewenste manoeuvre te selecteren: Het ledlampje in kwestie zal zoveel keer knipperen als het knipperlicht dat normaal doet na een anomalie (zie tabel 21).	
7. Laat de toets [Set] los.	

7.7) Diagnostiek en signaleringen

Sommige inrichtingen geven zelf al speciale signaleringen waardoor het mogelijk is de bedrijfsstatus of eventuele storing te herkennen.

7.7.1) Signalering met het knipperlicht

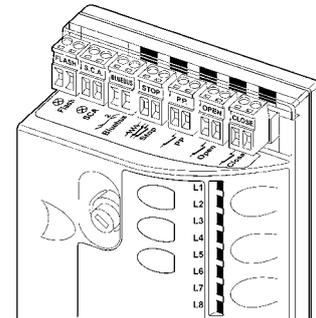
Het knipperend signaleringslicht FLASH zal tijdens de manoeuvre één maal per seconde knipperen; wanneer er een storing is, zal het kortere knipperingen geven; deze knipperingen worden twee maal herhaald met daartussen een pauze van een seconde.

Tabel 21: signaleringen op het knipperlicht FLASH

Snelle knipperingen	Oorzaak	HANDELING
1 knippering pauze van 1 seconde 1 knippering	Fout op de BlueBUS	Bij het begin van de manoeuvre komen de op BlueBUS aangesloten inrichtingen niet overeen met die welke tijdens de herkenningfase in het geheugen zijn opgeslagen. Het kan zijn dat er defecte inrichtingen zijn; controleer en vervang die zo nodig; als er wijzigingen zijn uitgevoerd dient de herkenningprocedure opnieuw uitgevoerd te worden (7.3.4 Herkennen van andere inrichtingen).
2 knipperingen pauze van 1 seconde 2 knipperingen	Inwerkingtreding van een fotocel	Bij het begin van de manoeuvre geven één of meer fotocellen geen toestemming tot de manoeuvre, controleer of er obstakels zijn. Dit is normaal tijdens de manoeuvre als er daadwerkelijk een obstakel is.
3 knipperingen pauze van 1 seconde 3 knipperingen	Inwerkingtreding van de "Gevoeligheid van het systeem voor obstakeldetectie"	Tijdens de manoeuvre heeft de poort meer wrijving ondervonden; controleer de oorzaak.
4 knipperingen pauze van 1 seconde 4 knipperingen	Inwerkingtreding van de ingang STOP	Bij het begin van of tijdens de manoeuvre is de ingang STOP in werking getreden; controleer de oorzaak
5 knipperingen pauze van 1 seconde 5 knipperingen	Fout in de interne parameters van de elektronische besturingseenheid.	Wacht tenminste 30 seconden en probeer dan opnieuw een instructie te geven; als er geen verandering in de status optreedt, zou er een ernstig defect kunnen zijn en dient de elektronische kaart vervangen te worden
6 knipperingen pauze van 1 seconde 6 knipperingen	De maximumlimiet voor het aantal manoeuvres per uur is overschreden.	Wacht enkele minuten dat de begrenzer van het aantal manoeuvres weer onder de maximumlimiet komt.
7 knipperingen pauze van 1 seconde 7 knipperingen	Fout in de interne elektrische circuits	Koppel alle circuits enige seconden van de stroomtoevoer los; probeer daarna een instructie te geven; als er geen verandering in de status optreedt, zou er een ernstig defect kunnen zijn en dient de elektronische kaart vervangen te worden
8 knipperingen pauze van 1 seconde 8 knipperingen	Er is reeds een instructie aanwezig waardoor het niet mogelijk is andere instructies uit te voeren.	Controleer de aard van de voortdurend aanwezige instructie; het zou bijvoorbeeld de instructie van een timer op de ingang "Open" kunnen zijn.

7.7.2) Signalering op de besturingseenheid

Op de besturingseenheid van RUN bevinden zich een reeks led-lampjes die elk bepaalde signaleringen kunnen geven, zowel wanneer alles normaal functioneert als bij storingen.



29

Tabel 22: ledlampjes op de klemmetjes van de besturingseenheid

Led BLUEBUS	Oorzaak	HANDELING
Uit	Storing	Controleer of er stroom is; controleer of de zekeringen niet in werking getreden zijn; is dat het geval, controleer dan de oorzaak van de storing en vervang de zekeringen vervolgens met andere met dezelfde waarde.
Aan	Ernstige storing	Er is een ernstige storing opgetreden; probeer de besturingseenheid enkele seconden uit te zetten; als deze status niet verandert, is er een defect en dient de elektronische kaart vervangen te worden.
Eén knippering per seconde	Alles OK	Normale werking van de besturingseenheid
2 snelle knipperingen	Er is een wijziging opgetreden in de status van de ingangen	Dit is normaal wanneer er een wijziging optreedt op één van de ingangen: PP, STOP, OPEN, CLOSE of wanneer de fotocellen in werking treden of de radiozender gebruikt wordt.
Serie knipperingen met daartussen een pauze van een seconde	Verschillende	Dit is dezelfde signalering als die op het knipperlicht of gebruikerslicht. Zie tabel 21
Led STOP	Oorzaak	HANDELING
Uit	Inwerkingtreding van de ingang STOP	Controleer de op de ingang STOP aangesloten inrichtingen
Aan	Alles OK	Ingang STOP actief
Led P.P.	Oorzaak	HANDELING
Uit	Alles OK	Ingang PP niet actief
Aan	Inwerkingtreding van de ingang PP	Dit is normaal wanneer de op de ingang PP aangesloten inrichting daadwerkelijk actief is
Led OPEN	Oorzaak	HANDELING
Uit	Alles OK	Ingang OPEN niet actief
Aan	Inwerkingtreding van de ingang OPEN	Dit is normaal wanneer de op de ingang OPEN aangesloten inrichting daadwerkelijk actief is
Led SLUIT	Oorzaak	HANDELING
Uit	Alles OK	Ingang SLUIT niet actief
Aan	Inwerkingtreding van de ingang CLOSE	Dit is normaal wanneer de op de ingang SLUIT aangesloten inrichting daadwerkelijk actief is

Tabel 23: ledlampjes op de toetsen van de besturingseenheid

Led 1	Beschrijving
Uit	Bij normaal functioneren geeft dit aan dat "Automatisch sluiten" niet actief is
Aan	Bij normaal functioneren geeft dit aan dat "Automatisch sluiten" actief is
Knippert	<ul style="list-style-type: none"> • Programmering van de functies in uitvoering • Indien dit samen met L2 brandt, wil dit zeggen dat het noodzakelijk is de procedure voor het herkennen van de inrichtingen uit te voeren (zie paragraaf "4.3 Herkenning inrichtingen").
Led L2	Beschrijving
Uit	Bij normaal functioneren geeft dit aan dat "Terugloop na Foto" niet actief is.
Aan	Bij normaal functioneren geeft dit aan dat "Terugloop na Foto" actief is.
Knippert	<ul style="list-style-type: none"> • Programmering van de functies in uitvoering • Indien dit samen met L1 brandt, wil dit zeggen dat het noodzakelijk is de procedure voor het herkennen van de inrichtingen uit te voeren (zie paragraaf "4.3 Herkenning inrichtingen").
Led L3	Beschrijving
Uit	Bij normaal functioneren geeft dit aan dat "Sluit altijd" niet actief is.
Aan	Bij normaal functioneren geeft dit aan dat "Sluit altijd" actief is.
Knippert	<ul style="list-style-type: none"> • Programmering van de functies in uitvoering • Indien dit samen met L4 brandt, wil dit zeggen dat het noodzakelijk is de procedure voor het herkennen van de vleugellengte uit te voeren (zie paragraaf "4.4 Herkenning vleugellengte").
Led L4	Beschrijving
Uit	Bij normaal functioneren geeft dit aan dat "Stand-By" niet actief is.
Aan	Bij normaal functioneren geeft dit aan dat "Stand-By" actief is.
Knippert	<ul style="list-style-type: none"> • Programmering van de functies in uitvoering • Indien dit samen met L3 brandt, wil dit zeggen dat het noodzakelijk is de procedure voor het herkennen van de vleugellengte uit te voeren (zie paragraaf "4.4 Herkenning vleugellengte").
Led L5	Beschrijving
Uit	Bij normaal functioneren geeft dit aan dat "Start" niet actief is.
Aan	Bij normaal functioneren geeft dit aan dat "Start" actief is.
Knippert	Programmering van de functies in uitvoering
Led L6	Beschrijving
Uit	Bij normaal functioneren geeft dit aan dat "Start" niet actief is.
Aan	Bij normaal functioneren geeft dit aan dat "Start" actief is.
Knippert	Programmering van de functies in uitvoering
Led L7	Beschrijving
Uit	Bij normaal functioneren geeft dit aan dat "Voorwaarschuwing" niet actief is.
Aan	Bij normaal functioneren geeft dit aan dat "Voorwaarschuwing" actief is.
Knippert	Programmering van de functies in uitvoering
Led L8	Beschrijving
Uit	Bij normaal functioneren geeft dit aan dat de ingang SLUIT een sluitmanoeuvre activeert
Aan	Bij normaal functioneren geeft dit aan dat de ingang SLUIT een manoeuvre voor gedeeltelijke opening activeert
Knippert	Programmering van de functies in uitvoering

7.8) Accessoires

Voor RUN zijn de volgende apart te bestellen accessoires voorzien:

- SMXI of SMXIS: Radio-ontvanger op 433,92MHz met digitale codering Rolling Code.
- ONEXI: Radio-ontvanger op 433,92MHz met digitale codering Rolling Code; uitgerust met Modus III voor het verzenden van 15 soorten

instructies naar de besturingseenheid.

- OperaView; Inrichting voor het op afstand programmeren. Raadpleeg de productencatalogus van Nice S.p.A. voor de complete en bijgewerkte lijst met accessoires.

7.8.1) Inrichting voor het op afstand programmeren

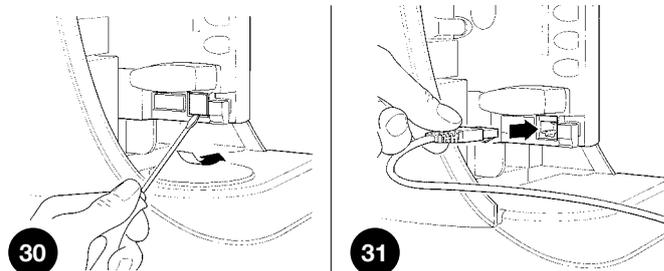
U kunt op de specifieke stekker BusT4 (zie afbeelding 30) de inrichting voor het op afstand programmeren Oview aansluiten; hiermee is het mogelijk snel en volledig installatie- en onderhoudswerkzaamheden uit te voeren, alsook een diagnose van eventuele storingen.

Om bij de stekker te kunnen komen dient u zoals u op afbeelding 31 kunt zien, de membraan weg te halen.

De inrichting voor het op afstand programmeren kan met een kabel van maximaal 100m lengte op afstand van de besturingseenheid geplaatst worden; ze kan tegelijkertijd op meerdere besturingseenheden - tot een maximum van 16 - worden aangesloten en kan ook tijdens de normale werking van RUN aangesloten blijven; in dit geval biedt een specifiek menu "gebruiker" u de mogelijkheid instructies naar de besturingseenheid te versturen. Als er een radio-ontvanger van het type OXI of OXIT, in de besturingseenheid is aangebracht, kunt u via de inrichting voor het op afstand programmeren toegang verkrijgen tot de parameters van de in het geheugen opgeslagen zenders. Voor deze functies hebt u een verbindingkabel met 4 aders nodig (BusT4). Het is ook mogelijk de firmware van de bedieningseenheid van RUN bij te werken.

Verdere informatie vindt u in de handleiding van de programmeerseenheid Oview.

BELANGRIJK – Om alle functies van het systeem NiceOpera tot in detail te leren kennen alsook de onderlinge afhankelijkheid van de verschillende inrichtingen van het systeem, gelieve u de algemene handleiding "NiceOpera System Book" te raadplegen, die ook op de internetsite www.niceforyou.com beschikbaar is



8) Technische gegevens

Teneinde haar producten steeds meer te vervolmaken behoudt NICE S.p.a. zich het recht voor op elk gewenst moment en zonder voorbericht wijzigingen in haar producten aan te brengen, waarbij functionaliteit en gebruiksbestemming echter gehandhaafd blijven. Alle technische gegevens hebben betrekking op een omgevingstemperatuur van 20°C (±5°C).

Technische gegevens RUN		
Model type	RUN 1800 - RUN 1800P - RUN 1800/V1	RUN 2500 - RUN 2500P
Typologie	Elektromechanische reductiemotor voor het automatisch laten lopen van schuifpoorten voor industrieel gebruik, compleet met elektronische besturingseenheid.	
Rondsel	Aantal tanden 18; Module 4 *	
Maximumkoppel bij de start [overeenkomende met de capaciteit een dusdanige kracht te ontwikkelen dat de vleugel in beweging komt]	40Nm (1110N)	50Nm (1390N)
Nominale koppel [overeenkomende met de capaciteit een dusdanige kracht te ontwikkelen dat de vleugel in beweging blijft]	20Nm (560N)	30Nm (830N)
Snelheid (loos)	10m/min (12m/min uitvoering /V1)	
Snelheid (bij het nominale koppel)	8.5m/min (8.9m/min uitvoering /V1)	
Maximale frequentie werkingscycli (bij het nominale koppel)	11 cycli/uur (264 cycli/dag), voor een poort van 15m (wat overeenkomt met een cyclus van 63%), (de besturingseenheid beperkt het aantal cycli tot het maximum zoals voorzien in de tabellen 2 en 3)**	15 cycli/uur (365 cycli/dag), voor een poort van 15m (wat overeenkomt met een cyclus van 63%), (de besturingseenheid beperkt het aantal cycli tot het maximum zoals voorzien in de tabellen 2 en 3)**
Maximumduur continue werking (bij het nominale koppel)	40 minuten (de besturingseenheid beperkt de duur van continue werking tot het maximum zoals voorzien in de tabellen 2 en 3)	60 minuten (de besturingseenheid beperkt de duur van continue werking tot het maximum zoals voorzien in de tabellen 2 en 3)
Gebruikslimieten	Over het algemeen is RUN in staat poorten met een gewicht of lengte zoals de limieten voorzien in de tabellen 2, 3 en 4 te automatiseren	
Levensduur	Geschat op een aantal cycli tussen de 150.000 en 150.000, volgens de voorwaarden van tabel 4	
Stroomvoorziening RUN 1800 - 2500	230Vac (+10% -15%) 50 Hz	
Stroomvoorziening RUN 1800/V1-2500/V1	120Vac (+10% -15%) 60 Hz	
Maximaal opgenomen vermogen bij de start [overeenkomend met Ampère]	700 W [3 A] [5 A uitvoering /V1]	870 W [3.8 A]
Maximaal opgenomen vermogen bij het nominale koppel [overeenkomend met Ampère]	400 W [1.8 A] [3 A uitvoering /V1]	600 W [2.7 A]
Isoleringsklasse	1 (aarding is noodzakelijk)	
Uitgang knipperlicht	voor 2 knipperlichten LUCYB (lamp 12V, 21W)	
Uitgang S.C.A	voor 1 lamp 24V maximaal 4W (de spanning aan de uitgang kan liggen tussen de -30 en +50% en kan ook kleine relais aansturen)	
Uitgang BLUEBUS	een uitgang met een maximale belasting van 15 eenheden BlueBus	
Ingang STOP	voor normaal gesloten, voor normaal open contacten of contacten op een constante weerstand van 8,2kΩ.; bij zelfflering (een verandering ten opzichte van de opgeslagen status) veroorzaakt de instructie "STOP")	
Ingang PP	voor normaal open contacten (sluiting van het contact geeft de instructie P.P.)	
Ingang OPEN	voor normaal open contacten (sluiting van het contact geeft de instructie OPEN)	
Ingang STOP	voor normaal open contacten ((sluiting van het contact geeft de instructie SLUIT)	
Insteekcontact radio	Plug-In SM voor de ontvangers SMXI; SMXIS of ONEXI	
Ingang ANTENNE Radio	Ingang ANTENNE Radio 52Ω voor kabel type RG58 of dergelijke	
Programmeerbare functies	8 functies van het type ON-OFF en 8 instelbare functies (zie tabellen 7 en 9)	
Zelfflerende functies	Zelfflering van de aan de uitgang BlueBus gekoppelde inrichtingen Zelfflering van het soort inrichting "STOP" (contact NO, NC of weerstand 8,2kΩ) Zelfflering van de poortlengte en berekening van de punten van vertraging en gedeeltelijke opening	
Werkings temperatuur	-20°C ÷ 50°C	
Gebruik in bijzonder zure, zoute of potentieel explosieve omgeving	Nee	
Beschermingsklasse	IP 44	
Afmetingen en gewicht	400 x 255 h 390; 24.5 kg	

* Leverbaar apart verkrijgbaar rondsel met 12 tanden module 6

** Bij 50°C en bij een poort van 15 meter is de maximale werkingsfrequentie 7 cycli/uur (wat overeenkomt met een cyclus van 40%).

*** Bij 50°C is de maximumduur continue werking 10 minuten.

• **Voordat u de automatisering voor de eerste maal gaat gebruiken**, is het raadzaam u door de installateur te laten uitleggen waar de restryco's ontstaan, en enkele minuten van uw tijd te besteden aan het lezen van deze handleiding **met aanwijzingen en aanbevelingen voor de gebruiker die de installateur** u overhandigd heeft. Bewaar deze handleiding voor eventuele toekomstige twijfels en geef haar aan een eventuele nieuwe eigenaar van de automatisering.

• **Uw automatisering is een machine die getrouwelijk uw instructies opvolgt**; onverantwoordelijk en oneigenlijk gebruik kan maken dat het een gevaarlijke machine wordt: laat de automatisering niet werken als er zich mensen, dieren of zaken binnen haar bereik bevinden.

• **Kinderen**: een automatiseringsinstallatie biedt een hoge graad van veiligheid, doordat ze met haar beveiligings-systemen de manoeuvre bij aanwezigheid van mensen of zaken onderbreekt en altijd een voorspelbare en veilige activering garandeert. Het is in ieder geval verstandig kinderen te verbieden in de buurt van de installatie te spelen en de afstandsbedieningen buiten hun bereik te houden om te voorkomen dat de installatie per ongeluk in werking komt: **het is geen speelgoed!**

• **Storingen**: Zodra u constateert dat de automatiseringsinstallatie niet werkt zoals ze dat zou moeten doen, dient u de stroomtoevoer naar de installatie te onderbreken en haar handmatig te ontgrendelen. Probeer niet zelf te repareren, maar roep de hulp van uw vertrouwensinstallateur in: intussen kan de installatie werken als een niet geautomatiseerde toegang, wanneer u de reductiemotor op de hieronder beschreven manier ontgrendeld hebt.

• **Onderhoud**: Zoals elke machine heeft uw installatie periodiek onderhoud nodig om haar zo lang mogelijk en geheel veilig te laten werken. Stel met uw installateur een onderhoudsplan met periodieke frequentie op; Nice raadt bij normaal gebruik bij een woning een onderhoudsbezoek om het half jaar aan, maar dit tijdsbestek kan variëren in functie van een meer of minder intensief gebruik. Alle controle-, onderhouds- of reparatiewerkzaamheden mogen uitsluitend door gekwalificeerd personeel worden uitgevoerd.

• Ook al bent u van mening dit te kunnen doen, breng geen wijzigingen aan de installatie en de programmerings- en afstellingsparameters van uw automatiseringsinstallatie aan: uw installateur is aansprakelijk.

• De opleveringstest, de periodieke onderhoudswerkzaamheden en de eventuele reparatiewerkzaamheden dienen gedocumenteerd te worden door wie die uitvoert en de documenten dienen door de eigenaar van de installatie bewaard te worden.

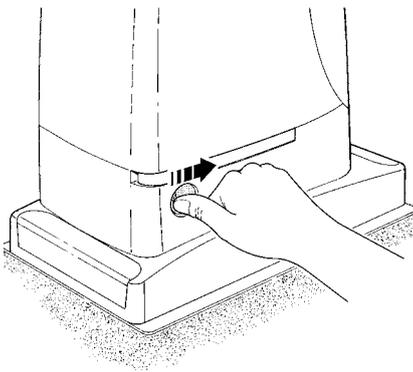
De enige werkzaamheden die de gebruiker regelmatig kan en moet uitvoeren zijn het reinigen van de glaasjes van de fotocellen en het verwijderen van bladeren en stenen die het automatisme in diens werking kunnen belemmeren. Om te voorkomen dat iemand de deur in beweging kan brengen dient u eraan te denken voordat u **dit gaat doen het automatisme** (zoals verderop beschreven) te ontgrendelen en voor het schoonmaken alleen een enigszins vochtige in water gedrenkte doek te gebruiken.

• **Afvalverwerking**: Als de automatisering niet meer gebruikt kan worden, dient u zich ervan te vergewissen dat de sloop daarvan door gekwalificeerd personeel wordt uitgevoerd en dat het materiaal volgens de plaatselijk geldende voorschriften wordt hergebruikt of naar de afvalverwerking wordt gezonden.

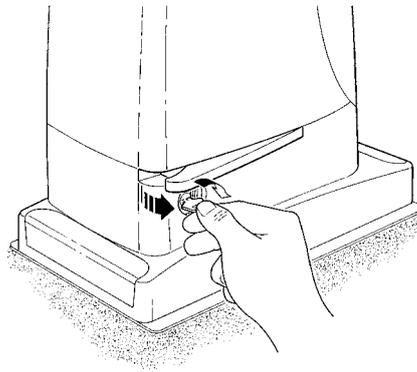
• **In geval van defecten of stroomuitval**: In afwachting van het bezoek van uw installateur, (of het terugkeren van de elektrische stroom als de installatie niet van bufferbatterijen voorzien is), mag de installatie gebruikt worden als elke andere niet-geautomatiseerde toegang. Hiertoe dient u de automatisering handmatig te ontgrendelen: aan deze handeling, die de enige is die de gebruiker van de automatisering mag uitvoeren, heeft Nice bijzonder veel aandacht besteed om u altijd een maximum aan gebruiksvriendelijkheid te garanderen, zonder dat u gereedschap moet gebruiken of fysieke kracht moet aanwenden.

Ontgrendeling en handmatige manoeuvre: voordat u dit gaat doen dient u erop te letten dat ontgrendeling alleen kan plaatsvinden wanneer de vleugel stil staat.

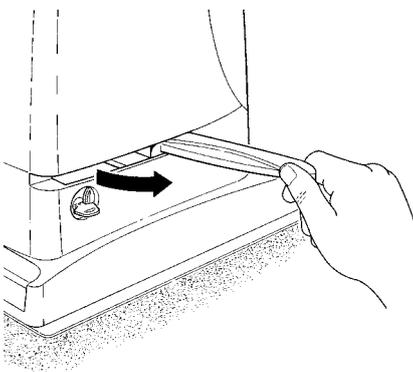
1 Verschuif het plaatje dat het slot beschermt.



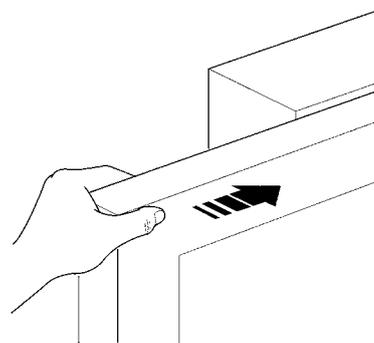
2 Steek de sleutel in het slot en draai die met de wijzers van de klok om.



3 Trek aan de ontgrendelingshandgreep.



4 Verplaats de vleugel handmatig.



Voor vergrendeling: doe hetzelfde, maar dan in omgekeerde volgorde

Bediening wanneer de veiligheidsinrichtingen buiten gebruik zijn: indien de veiligheidsinrichtingen van de poort niet correct mochten functioneren, kunt u de poort toch bedienen.

- Activeer de bediening van de poort (met de afstandsbediening, sleutelschakelaar, etc.); als alles in orde is zal de poort normaal open of dicht gaan, anders zal het knipperlicht enkele malen knipperen en zal de manoeuvre niet van start gaan (het aantal malen dat het knipperlicht knippert heeft te maken met de reden waarom de manoeuvre niet van start kan gaan).
- In dit geval moet u de bedieningsinrichting binnen 3 seconden nogmaals **activeren** en **geactiveerd houden**.
- Na ongeveer 2s komt de poort in beweging en wel in de modus "iemand aanwezig", d.w.z. zolang de bedieningsinrichting geactiveerd blijft, beweegt de poort; zodra de bedieningsinrichting losgelaten wordt, stopt de poort.

⚠ Wanneer de beveiligingen buiten gebruik zijn, moet het automatisme zo snel mogelijk gerepareerd worden.

Vervanging van de batterij van de afstandsbediening:

als uw afstandsbediening na enige tijd minder lijkt te werken, of helemaal niet te werken, zou dit eenvoudigweg kunnen komen omdat de batterij leeg is (afhankelijk van het type daarvan kan dat na verschillende maanden of meer dan een jaar zijn). U kunt dit zien doordat het waarschuwingslampje dat de doorzending bevestigt, zwak brandt, of helemaal niet brandt, of slechts eventjes brandt. Voordat u zich tot de installateur wendt kunt u proberen de batterij van een andere zender die wél werkt, in te zetten als dit de oorzaak van de storing is, behoeft u alleen maar een nieuwe batterij van hetzelfde type in te zetten.

De batterijen bevatten vervuilende stoffen: gooi ze niet met het gewone huisvuil weg, maar gebruik de methoden die in de plaatselijke voorschriften voorzien zijn.

EG-verklaring van overeenstemming en inbouwverklaring betreffende "niet voltooid machines"

Verklaring conform de richtlijnen: 2004/108/EG (EMC); 2006/42/EG (MD) bijlage II, deel B

N.B. - De inhoud van deze verklaring stemt overeen met hetgeen verklaard is in het officiële document dat is neergelegd bij de vestiging van Nice S.p.A., en in het bijzonder met de laatste revisie hiervan die vóór het afdrukken van deze handleiding beschikbaar was. De onderhavige tekst werd om redactionele redenen aangepast. Een kopie van de originele verklaring kan worden aangevraagd bij Nice S.p.A. (TV) I.

Nummer: 238/RUN

Revisie: 5

Taal: NL

Naam fabrikant:

Nice s.p.a.

Adres:

Via Pezza Alta 13, 31046 Rustignè di Oderzo (TV) Italië

**Gemachtigde voor de
samenstelling van de**

technische documentatie:

Nice s.p.a.

Producttype:

Elektromechanische reductiemotor met ingebouwde besturingseenheid

Model:

RUN1800, RUN2500, RUN1800P, RUN2500P

Uitrustingen:

RF-ontvangers mod. SMXI, SMXIS en ONEXI

Ondergetekende Mauro Sordini verklaart als bedrijfsleider onder zijn verantwoordelijkheid dat het bovengenoemde product voldoet aan de voorschriften van de volgende richtlijnen:

- RICHTLIJN 2004/108/EG VAN HET EUROPEES PARLEMENT EN DE RAAD van 15 december 2004 betreffende de onderlinge aanpassing van de wetgevingen van de lidstaten inzake elektromagnetische compatibiliteit en tot intrekking van Richtlijn 89/336/EEG, op basis van de volgende geharmoniseerde normen: EN 61000-6-2:2005, EN 61000-6-3:2007+A1:2011

Bovendien voldoet het product aan de onderstaande richtlijn volgens de voor "niet-voltooid machines" geldende vereisten:

Richtlijn 2006/42/EG VAN HET EUROPEES PARLEMENT EN DE RAAD van 17 mei 2006 met betrekking tot machines tot wijziging van de Richtlijn 95/16/EG (herschikking)

- Hierbij wordt verklaard dat de relevante technische documentatie is samengesteld volgens de aanwijzingen in bijlage VII B van de Richtlijn 2006/42/EG en dat daarbij aan de navolgende verplichte eisen is voldaan: 1.1- 1.1.2- 1.1.3- 1.2.1-1.2.6- 1.5.1-1.5.2- 1.5.5- 1.5.6- 1.5.7- 1.5.8- 1.5.10- 1.5.11.
- De fabrikant zal zorgdragen voor de overdracht van informatie betreffende de "niet-voltooid machine", op grondig verzoek van de nationale wetgevende instanties, zonder daarbij schade te doen toekomen aan zijn eigen intellectueel eigendomsrecht.
- Indien de "niet-voltooid machine" in gebruik wordt genomen in een land waar officieel een andere taal wordt gesproken dan de taal waarin deze verklaring is opgesteld, is de importeur verplicht de vertaling van de desbetreffende verklaring toe te voegen.
- Het is niet toegestaan de "niet-voltooid machine" in gebruik te nemen voordat de uiteindelijke machine waarin zij zal worden ingebouwd, in overeenstemming wordt verklaard met de bepalingen van de Richtlijn 2006/42/EG, waar toepasselijk.

Bovendien voldoet het product aan de hierna volgende normen:

EN 60335-1:2012, EN 60335-2-103:2003+A11:2009

Het product voldoet, waar van toepassing, aan de hierna volgende normen:

EN 13241-1:2003+A1:2011, EN 12445:2002, EN 12453:2002, EN 12978:2003+A1:2009

Oderzo, dinsdag 1 juli 2014

Ing. Mauro Sordini
(Chief Executive Officer)



Указатель:	стр.		
1	Предупреждения	29	7.2.1 Функции первого уровня (функции ВКЛ.-ВЫКЛ.) 39
2	Описание изделия и назначение использования	30	7.2.2 Программирование первого уровня (функции ВКЛ.-ВЫКЛ.) 40
2.1	Ограничения использования	30	7.2.3 Функции второго уровня (регулируемые параметры) 40
2.2	Типичная система	32	7.2.4 Программирование второго уровня (регулируемые параметры) 41
2.3	Перечень кабелей	32	7.2.5 Пример программирования первого уровня (функции ВКЛ.-ВЫКЛ.) 42
3	Монтаж	33	7.2.6 Пример программирования второго уровня (регулируемые параметры) 42
3.1	Предварительная проверка	33	7.3 Добавление или удаление устройств 42
3.2	Установка электропривода	33	7.3.1 Шина BlueBUS 42
3.3	Установка кронштейнов в версии с индуктивным концевым выключателем	34	7.3.2 Вход СТОП 43
3.4	Установка различных устройств	35	7.3.3 Фотоэлементы 43
3.5	Электрические соединения	35	7.3.4 Фотодатчик FT210B 43
3.6	Описание электрических соединений	36	7.3.5 RUN в режиме «Ведомый» 44
4	Заключительная проверка и запуск	36	7.3.6 Распознавание других устройств 45
4.1	Выбор направления	36	7.4 Специальные функции 45
4.2	Подключение электропитания	36	7.4.1 Функция «Всегда открыто» 45
4.3	Распознавание устройств	36	7.4.2 Функция «Движение в любую сторону» 45
4.4	Распознавание длины створки	37	7.4.3 Система управления нагревом и охлаждением 45
4.5	Проверка движения ворот	37	7.4.4 Уведомление об обслуживании 45
4.6	Заданные функции	37	7.5 Подключение других устройств 46
4.7	Радиоприемник	37	7.6 Поиск неисправностей 47
5	Приемочные испытания и ввод в эксплуатацию	37	7.6.1 Архив неисправностей 47
5.1	Приемочные испытания	38	7.7 Диагностика и сигналы 47
5.2	Ввод в эксплуатацию	38	7.7.1 Сигналы проблесковой лампы 48
6	Обслуживание и утилизация	38	7.7.2 Сигналы блока управления 48
6.1	Обслуживание	38	7.8 Аксессуары 49
6.2	Утилизация	38	7.8.1 Устройство дистанционного программирования 49
7	Дополнительная информация	39	8 Технические характеристики 50
7.1	Кнопки программирования	39	Инструкция и предупреждения для пользователя электропривода RUN 51
7.2	Программирование	39	Декларация соответствия ЕС 53

1) Предупреждения

Данное руководство содержит важную информацию касательно безопасности при проведении монтажа; необходимо внимательно ознакомиться с его содержанием перед началом монтажа. Сохраните данное руководство для дальнейшего использования.

Принимая во внимание опасность, которая может возникнуть при установке и эксплуатации RUN, с целью обеспечения максимальной безопасности необходимо гарантировать, чтобы монтаж производился в строгом соответствии с действующими законами, стандартами и постановлениями. Данная глава посвящена общим предостережениям; более специфическая информация излагается в главе «3.1 Предварительная проверка»; «5 Приемочные испытания и ввод в эксплуатацию».

▲ В соответствии с последним Европейским законодательством, автоматические двери или ворота должны соответствовать требованиям Директивы 98/37/СЕ (Директива по машиностроению) и, в частности, стандартам: EN 13241-1 (гармонизированный стандарт); EN 12445; EN 12453 и EN 12635, что позволяет декларировать соответствие продукции требованиям Директивы по машиностроению.

Более подробную информацию, руководству по анализу рисков и публикацию Технического паспорта можно найти на сайте: «www.niceforyou.com». Данное руководство разработано исключительно для квалифицированного технического персонала, уполномоченного на проведение работ по монтажу. За исключением приложения, которое должно быть передано установщиком, «Инструкция по эксплуатации и предупреждения для пользователей электропривода RUN», никакая другая информация, изложенная в настоящем руководстве, не представляет интереса для конечного пользователя!

- Любое использование RUN, отличное от описанного в настоящем руководстве, запрещено; неправильная эксплуатация может стать причиной опасности или нанести ущерб людям или имуществу.
- До начала монтажа необходимо оценить анализ рисков, включая перечень обязательных требований по безопасности приложения I Директивы к машиностроению с указанием соответствующих принятых решений. Следует помнить, что анализ рисков является неотъемлемой частью технического паспорта на систему автоматизации.
- Проверить, есть ли необходимость в каких-либо дополнительных устройствах для комплектации системы автоматизации RUN в зависимости от условий использования и степени опасности; необходимо учитывать, например, такие ситуации, как риск удара, сдавливание, срезание, волочение и пр. и другие возможные опасности.
- Не допускаются модификации каких-либо элементов, за исключением описанных в настоящем руководстве; данные операции могут привести к различным неисправностям; компания NICE не несет ответственности за любой ущерб, причиненный модификацией изделия.
- При монтаже и эксплуатации изделия необходимо убедиться, что внутри блоков управления и других открытых частях оборудования отсутствуют посторонние твердые предметы и жидкости; в противном случае рекомендуется обратиться в сервисный центр NICE; эксплуатация оборудования RUN в данном случае может стать причиной возникновения опасной ситуации
- Автоматические системы не должны вводиться в эксплуатацию в порядке, как описано в главе: «5 Приемочные испытания и ввод в эксплуатацию».
- Упаковочные материалы, используемые для оборудования RUN, должны утилизироваться в строгом соответствии с требованиями действующего законодательства страны, где используется изделие.

- В случае возникновения неисправности, которая не может быть устранена с использованием информации из данного руководства, необходимо обратиться в сервисный центр NICE.
- В случае сбоя автоматических ограничителей или перегорания предохранителей, перед их заменой необходимо определить неисправность и устранить ее.
- Перед проведением операций с внутренними зажимами на крышке оборудования RUN отключить все цепи питания; если устройство отключения плохо видно, установить табличку: «ВНИМАНИЕ: ВЕДУТСЯ РАБОТЫ!».

Особые требования, касающиеся пригодности для использования данного изделия согласно Директиве по машиностроению 98/37/СЕ (бывш. 89/392/СЕЕ).

- Изделие выпускается на рынок как «компонент машины» и предназначено для встраивания в машины или установки вместе с другим оборудованием для получения «машины» в соответствии с Директивой 98/37/СЕ. При этом возможно использование только дополнительных компонентов и способов монтажа, описанных в настоящем руководстве. Согласно положениям директивы 98/37/СЕ не допускается ввод изделия в эксплуатацию, пока изготовитель машины, в которую встроено изделие, не задекларирует соответствие целой машины требованиям Директивы 98/37/СЕ.

Особые требования, касающиеся пригодности для использования данного изделия согласно Директиве по низковольтному оборудованию 73/23/СЕЕ и последующих изменений 93/68/СЕЕ:

- Данное изделие отвечает требованиям Директивы по низковольтному оборудованию при использовании в конфигурациях, описанных в настоящем руководстве и в комплексе с устройствами, приведенными в каталоге продукции компании Nice S.p.A. Соответствие не может быть гарантировано при использовании изделия в конфигурациях или с устройствами, не указанными в руководстве. В этом случае эксплуатация изделия запрещается до тех пор, монтажная организация, не докажет соответствия всей установки требованиям вышеуказанной директивы.

Специальные предупреждения по пригодности к использованию настоящего изделия в соответствии с Директивой по электромагнитной совместимости 89/336/СЕЕ и последующих изменений 92/31/СЕЕ и 93/68/СЕЕ:

- Данное изделие успешно прошло цикл испытаний на определение электромагнитной совместимости в наиболее критических условиях эксплуатации в конфигурациях, описанных в настоящем руководстве, и в комплексе с устройствами, приведенными в каталоге продукции компании Nice S.p.A. Электромагнитная совместимость не может быть гарантирована при использовании изделия в конфигурациях или с устройствами, не указанными в руководстве. В этом случае эксплуатация изделия запрещается до тех пор, монтажная организация, не докажет соответствия всей установки требованиям вышеуказанной директивы.

2) Описание изделия и назначение использования

RUN - это линия нереверсивных электромеханических приводов для автоматизации раздвижных ворот. Приводы оснащены электронным блоком управления и разъемом типа «SM» для приемника радиоуправления (в качестве опции). Подключение внешних устройств было упрощено с помощью технологии «BlueBUS», которая позволяет подключить несколько устройств, используя только 2 провода. Перечень устройств, которые могут быть подключены к шине BlueBUS электропривода Run приводится в главе 7.3.1 «BlueBUS»; обновленный перечень с указанием совместимости можно

найти на сайте: www.niceforyou.com.

RUN оборудован соединительным устройством для устройства дистанционного программирования, которая позволяет осуществлять полное и быстрое управление монтажом, обслуживанием и диагностикой возможных неисправностей; см. также пункт 7.8.1 «Устройство дистанционного программирования».

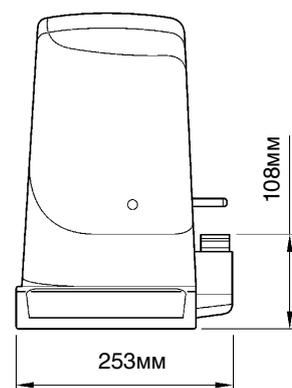
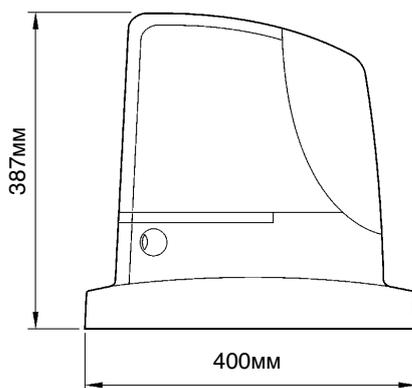
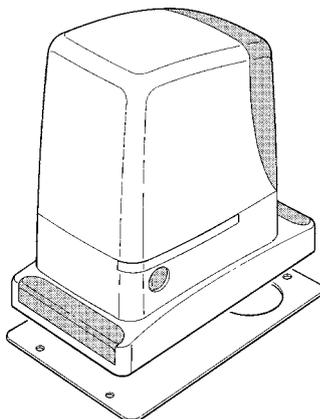
Приводы RUN работают от электросети. В случае отключения электропитания привод можно разблокировать специальным ключом и перемещать ворота вручную.

К линии RUN относятся изделия, основные различия которых описаны в таблице 1.

Таблица 1: сравнение основных характеристик электроприводов RUN

Электропривод типа	RUN1800	RUN1800P	RUN2500	RUN2500P
Тип конечных выключателей	электромеханический	индуктивный	электромеханический	индуктивный
Макс. длина створки	15м		18м	
Макс. вес створки	1800кг		2500кг	
Пиковая осевая нагрузка (соответствующее усилие)	40Нм (1110Н)		50Нм (1390Н)	
Двигатель	Асинхронный однофазный макс. 700Вт		Асинхронный однофазный макс. 870Вт	

Примечание: 1кг = 9,81Н, например: 1390Н = 142кг



1

2.1) Ограничения использования

Данные относительно эксплуатационных характеристик изделий линейки RUN приводятся в главе «8 Технические характеристики» и являются единственными значениями, при помощи которых можно установить пригодность к применению. Конструкционные характеристики изделий RUN делают их пригодными для автоматизации раздвижных ворот в соответствии с ограничениями, показанными в таблицах 2, 3 и 4.

Фактическая пригодность изделий RUN для автоматизации конкретных раздвижных ворот зависит, как от коэффициента трения, так и других аспектов, даже случайных, таких как обледенение, которое может затруднять движение створки. Для проверки необходимо измерить усилие, которое требуется для перемещения створки на всем протяжении и проверить, чтобы оно не превышало половину «номинального усилия», указанного в главе «8 Технические характеристики» (рекомендуется уровень 50% для учета климатических условий, влияющих на коэффициент скольжения); кроме этого, для определения количества циклов/час и количества последовательных циклов см. таблицу 2 и 3.

Таблица 2: ограничения в зависимости от длины створки

Длина створки (м)	RUN1800/ RUN1800P		RUN2500/ RUN2500P	
	Макс. количество циклов/час	Макс. количество последовательных циклов	Макс. количество циклов/час	Макс. количество последовательных циклов
До 6	42	28	42	42
6 ÷ 9	28	18	28	28
9 ÷ 12	21	14	21	21
12 ÷ 15	17	11	17	17
15 ÷ 18			14	14

Таблица 3: ограничения в зависимости от веса створки

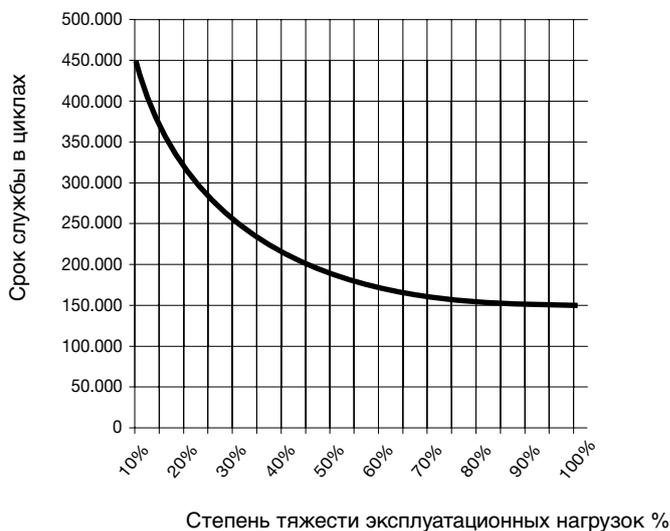
Вес створки (кг)	RUN1800/ RUN1800P	RUN2500/ RUN2500P
	Процентное соотношение циклов	Процентное соотношение циклов
До 500	100%	100%
500 ÷ 900	80	80
900 ÷ 1200	75	75
1200 ÷ 1500	60	60
1500 ÷ 1800	50	50
2000 ÷ 2300	---	40
2300 ÷ 2500	---	30

Длина створки позволяет определить максимальное число циклов в час и количество последовательных циклов, в то время как вес позволяет определить процент сокращения количества циклов. Например, для RUN1800, если створка имеет длину 10м, обеспечивается 21 циклов/час и 14 последовательных циклов, однако если створка весит 1300кг, эти значения необходимо снизить до 60%: примерно 9 циклов/час и 8 последовательных циклов. Во избежание перегрева в блоке управления предусматривается ограничительное устройство, действие которого основано на определении нагрузки двигателя и продолжительности циклов; оно срабатывает при превышении максимального предела. Ограничивающее устройство также измеряет температуру среды и ограничивает дальнейшие операции в случае высокой температуры.

В главе «8 Технические характеристики» указывается расчетная «долговечность», т.е. средний коммерческий срок службы изделия. На данную величину оказывает большое влияние индекс трудности операций, т.е. сумма различных факторов, влияющих на степень износа. Для произведения расчета необходимо сложить все индексы трудности операций, приведенные в таблице 4, затем общий результат проверяется на графике определения долговечности. Например, в случае RUN1800, если створка имеет вес 1300 кг и длину 10м, оснащена фотоэлементами и не имеет других устройств, затрудняющих работу, индекс трудности операций составляет 45% (20+15+10). По графику расчетная долговечность будет равна 200 000 циклов. Необходимо уточнить, что прогноз срока службы рассчитывается на основании проектных данных и результатов испытаний на прототипах; данный прогноз не представляет собой никакой гарантии по фактическому сроку службы изделия.

Таблица 4: расчет долговечности, определенной в зависимости от индекса трудности операций

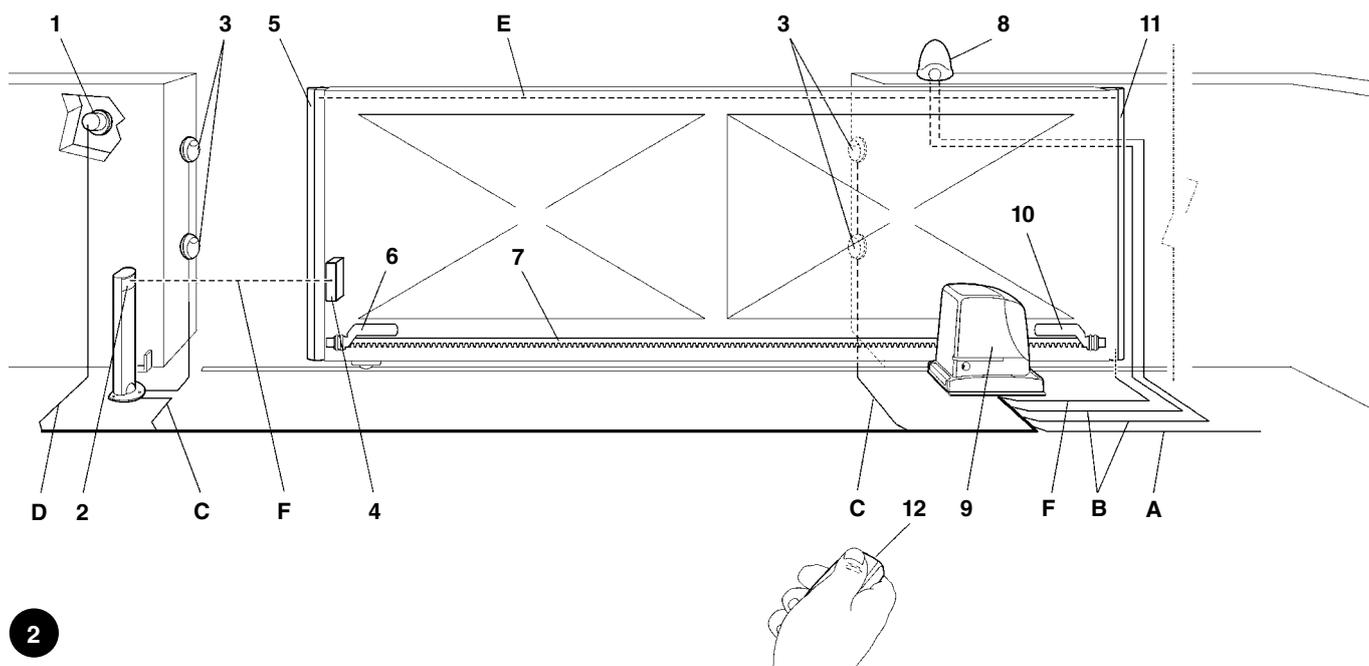
Индекс трудности операций %	Run		Долговечность в циклах
	1800	2500	
Вес створки, кг			
До 500	5	5	
500 ÷ 900	10	10	
900 ÷ 1200	20	20	
1200 ÷ 1500	30	30	
1500 ÷ 1800	40	40	
1800 ÷ 2200	-	50	
2200 ÷ 2500	-	60	
Длина створки, м			
До 6	5	5	
6 ÷ 9	10	10	
9 ÷ 12	15	15	
12 ÷ 15	25	25	
15 ÷ 18	-	35	
Другие внешние устройства (могут учитываться в том случае, если вероятность их срабатывания более 10%)			
Температура среды выше 40°C или ниже 0°C или влажность выше 80%	10	10	
Присутствие пыли или песка	15	15	
Присутствие соли	20	20	
Прерывание от фотоэлементов	10	10	
Прерывание операции от Alt	20	20	
Активное усилие	10	10	
Общий индекс трудности %:			



Примечание: если индекс превышает 100%, это означает, что условия превышают допустимые пределы; рекомендуется использовать более старшую модель.

2.2) Типичная система

На рисунке 2 показана типичная система автоматизированных раздвижных ворот, в которых используется RUN.



- | | | | |
|---|------------------------------|----|--|
| 1 | Ключ-выключатель | 8 | Проблесковая лампа со встроенной антенной |
| 2 | Приемник FT210B | 9 | RUN |
| 3 | Фотоэлементы | 10 | Концевой кронштейн «Закрыто» |
| 4 | Приемник FT210B | 11 | Вспомогательная подвижная кромка (дополнительно) |
| 5 | Основная подвижная кромка | 12 | Радиопередатчик |
| 6 | Концевой кронштейн «Открыто» | | |
| 7 | Зубчатая рейка | | |

2.3) Перечень кабелей

На типичной системе, показанной на рисунке 2, показаны кабели, необходимые для подключения устройств при типичной установке; в таблице 5 приводятся характеристики кабелей.

⚠ Используемые кабели должны быть пригодными для определенного типа установки; например, рекомендуется кабель типа H03VV-F для кладки в крытых помещениях, или H07RN-F - для наружной кладки.

Таблица 5: перечень кабелей

Соединение	Тип кабеля	Максимально допустимая длина
A: Электролиния питания	1 шт. кабель 3x1,5мм ²	30м (примечание 1)
B: Проблесковая лампа с антенной	1 шт. кабель 2x0,5мм ²	20м
	1 шт. экранированный кабель типа RG58	20м (рекомендуется до 5м)
C: Фотоэлементы	1 шт. кабель 2x0,5мм ²	30м (примечание 2)
D: Ключ-выключатель	2 шт. кабели 2x0,5мм ² (примечание 3)	50м
E: Соединение для 2 подвижных чувствительных кромок	1 шт. кабель 2x0,5мм ² (примечание 4)	20м
F: Соединение для 2 подвижных кромок	1 шт. кабель 2x0,5мм ² (примечание 5)	30м

Примечание 1: если кабель электропитания длиннее 30м, требуется кабель с большим сечением, например, 3x2,5мм² и требуется система заземления вблизи системы автоматизации.

Примечание 2: если кабель «BLUEBUS» длиннее 30м (максимально 50м), необходим кабель 2x1мм².

Примечание 3: два кабеля 2x0,5мм² могут быть заменены на один кабель 4x0,5мм².

Примечание 4: при наличии более одной кромки, см. главу «7.3.2 Вход СТОП» для рекомендованного типа соединения

Примечание 5: для соединения подвижных кромок на раздвижных створках, необходимо использовать специальные устройства, которые позволяют соединять два движущихся устройства; на рисунке показано использование FT210B.

3) Монтаж

⚠ Монтаж RUN должен выполняться квалифицированным персоналом в соответствии с текущим законодательством, стандартами и постановлениями, а также положениями настоящего руководства.

3.1) Предварительная проверка

Перед началом монтажа RUN необходимо проверить следующее:

- Проверить, что весь материал в хорошем состоянии, соответствует для применения и отвечает действующим стандартам.
- Убедиться, что конструкция ворот пригодна для автоматизации.
- Убедиться, что вес и размеры створки не выходят за пределы, указанные в главе «2.1 Ограничения использования».
- Проверить, сравнив значения с указанными в главе «8 Технические характеристики», что усилие, необходимое для начала движения створки, меньше половины «номинального усилия»; рекомендуется уровень усилия 50%, поскольку неблагоприятные климатические условия могут значительно увеличить трение.
- Убедиться, что на всем протяжении при закрывании и открывании ворот нет точек с большим трением.
- Убедиться, что нет опасности падения или выхода створки из направляющих.
- Проверить, что механические ограничители достаточно прочные и что нет никакого риска их деформации, даже в том случае, если створка сильно ударяется о них при движении.
- Убедиться, что створка сбалансирована, т.е. остается неподвижной в любом положении.
- Убедиться, что место установки блока защищено от затопления водой. В противном случае приподнять электропривод на необходимое расстояние от пола.
- Удостовериться, что область монтажа позволяет разблоки-

ровать электропривод вручную легко и безопасно.

- Удостовериться, что точки установки различных устройств находятся в безопасных зонах, защищенных от ударов и с достаточно прочными поверхностями.
- Избегать погружения деталей системы автоматизации в воду или другие жидкости.
- Хранить детали RUN вдали от источников возгорания и тепла, потенциально взрывоопасных местах, в частности, где содержатся кислоты и соли. Данные ситуации могут повредить детали RUN и вызвать другие неисправности или опасные ситуации.
- В случае ворот с внутренней калиткой или в зоне перемещения полотна створки, убедиться, что она не ограничивает нормального движения полотна и при необходимости установить соответствующую блокировку.
- Подключить блок управления к линии электропитания, оборудованной заземлением.
- Линия электропитания должна быть защищена соответствующим термомангнитным и дифференциальным устройством.
- На линии электропитания должно быть установлено устройство отключения от электрической сети (с категорией перенапряжения III, т.е. расстояние между клеммами должно быть не менее 3,5мм) или эквивалентная система, например, вилка с соответствующей розеткой. Если устройство отключения от электрической сети установлено не вблизи системы автоматизации, необходимо предусмотреть систему блокировки, предотвращающую случайное или несанкционированное включение.

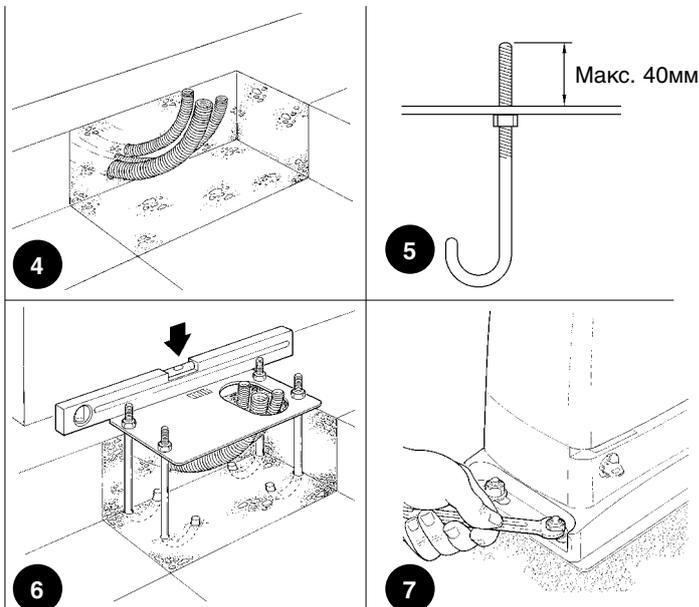
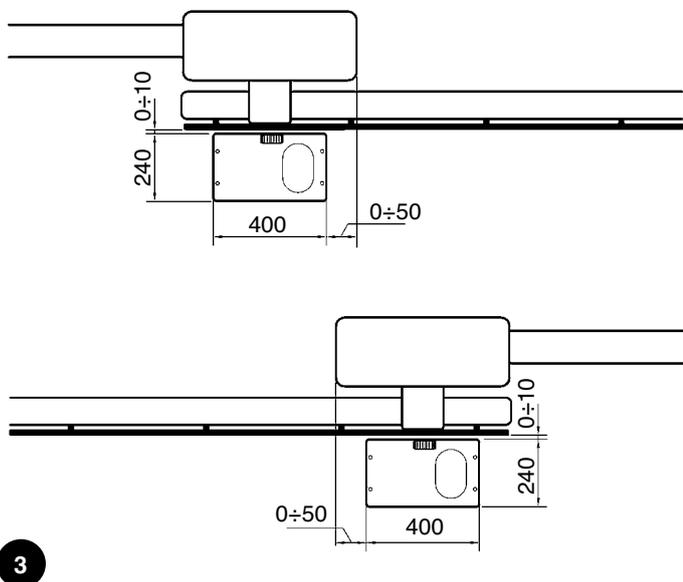
3.2) Установка электропривода

Если имеется поверхности установки, электропривод должен быть закреплен непосредственно к ней с использованием подходящих средств, например, расширяющихся анкерных болтов. В противном случае, для установки электропривода необходимо выполнить следующее:

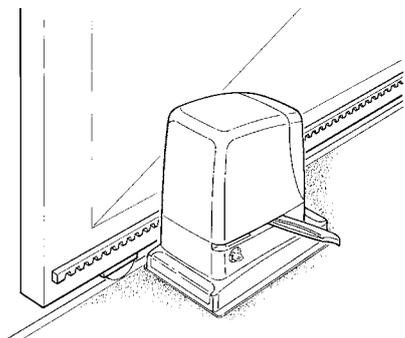
1. Вырыть яму под фундамент соответствующих размеров, как показано на рисунке 3.
2. Подготовить один или более кабелепроводов, как показано на рисунке 4.
3. Собрать 4 анкерных болта на опорной пластине, установив одну гайку внизу и другую сверху пластины; гай-

ка под пластиной должна быть закручена, как показано на рисунке 5, чтобы оставшаяся часть болта выходила примерно на 40мм (макс.) выше пластины.

4. Залить бетон и, прежде чем он начнет скрепляться, установить опорную пластину на расстоянии, как показано на рисунке 3; проверить параллельность створке и горизонтальность, рисунок 6. Выждать, чтобы бетон полностью скрепился.
5. Удалить 4 верхние гайки с пластины и затем установить электропривод; проверить, чтобы он был параллелен створке, затем закрутить не до конца две гайки с 4 шайбами, входящими в комплект, как показано на рисунке 7.



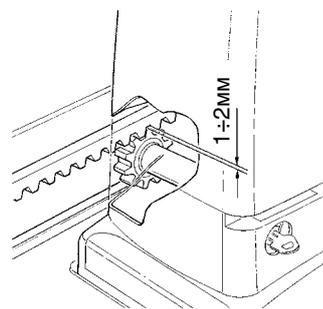
6. Разблокировать электропривод, как показано в параграфе «Разблокировка и перемещение вручную» главы «Инструкция и предупреждения для пользователя электропривода RUN».
7. Полностью открыть створку и разместить часть рейки на шестерне. Проверить, чтобы начало рейки соответствовало началу створки, как показано на рисунке 8. Проверить, чтобы между шестерней и зубчатой рейкой был зазор 1 ± 2



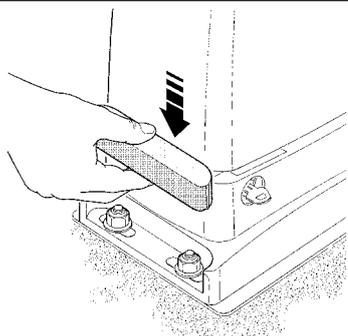
8

мм, затем закрепить рейку к створке при помощи соответствующих приспособлений.

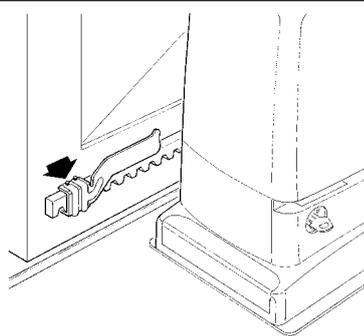
- ⚠** Во избежание воздействия веса створки на электропривод, важно, чтобы между зубчатой рейкой и шестерней оставался зазор 1 ± 2 мм, как показано на рисунке 9.



9



10



11

8. Передвигать створку, используя шестерню, как контрольную точку для закрепления других элементов зубчатой рейки.
9. Отрезать лишнюю часть рейки.
10. Открыть и закрыть ворота несколько раз и удостовериться, что зубчатая рейка выровнена с центром шестерни с максимальной точностью 5 мм. Проверить, чтобы по всей длине соблюдался зазор 1 ± 2 мм между шестерней и зубчатой рейкой.
11. Полностью затянуть гайки электропривода, удостоверившись, что он хорошо закреплен к основанию; закрыть гайки соответствующими крышками, как показано на рисунке 10.
12. Установить два концевых кронштейна, как показано ниже (для версий RUN1800P и RUN2500P установить кронштейны согласно параграфу «3.3 Установка концевых кронштейнов в

версиях с индуктивным концевым выключателем»):

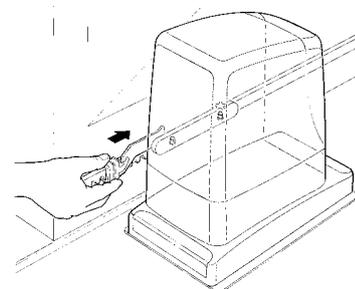
- Вручную переместить створку на открывание на расстоянии не менее 2–3 см от механического ограничителя.
 - Переместить кронштейн вдоль зубчатой рейки на открывание до срабатывания концевого выключателя. Вытянуть кронштейн на высоту не менее 2 см и затем заблокировать кронштейн соответствующими регулировочными винтами к зубчатой рейке, как показано на рисунке 11.
 - Аналогичная операция должна выполняться для концевого выключателя на закрывание.
13. Заблокировать электропривод, как указывается в параграфе «Разблокировка и перемещение вручную» главы «Инструкция и предупреждения для пользователя электропривода».

3.3) Установка кронштейнов в версии с индуктивным концевым выключателем

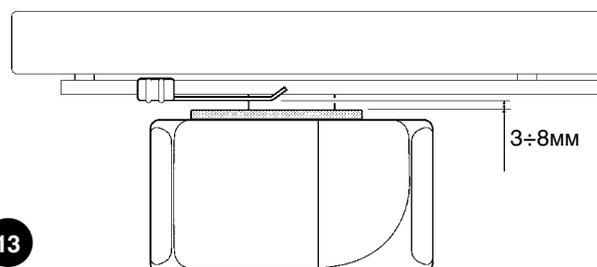
Для версий RUN1800P и RUN2500P, использующих индуктивный концевой выключатель, необходимо закрепить концевые кронштейны, как описано ниже.

1. Вручную переместить створку на открывание на расстоянии не менее 2–3 см от механического ограничителя.
2. Перемещать кронштейн вдоль зубчатой рейки в направлении на открывание, пока не выключится соответствующий светодиод, как показано на рисунке 12. Выдвинуть кронштейн на 2 см и затем закрепить его при помощи соответствующих винтов к зубчатой рейке.
3. Вручную переместить створку на закрывание на расстоянии не менее 2–3 см от механического ограничителя.
4. Перемещать кронштейн вдоль зубчатой рейки в направлении на закрывание, пока не выключится соответствующий светодиод. Выдвинуть кронштейн на 2 см и затем закрепить его при помощи соответствующих винтов к зубчатой рейке.

- ⚠** Для индуктивного проксимального выключателя оптимальное расстояние от кронштейна находится в пределах 3 - 8 мм, как показано на рисунке 13.



12



13

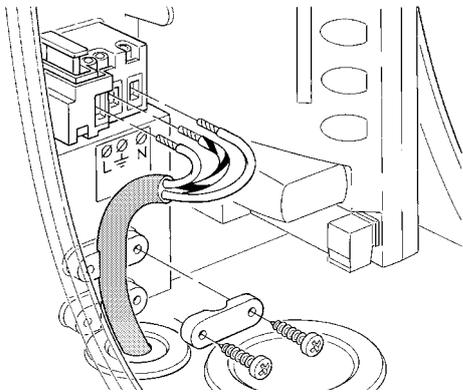
3.4) Установка различных устройств

Устанавливать внешние устройства в соответствии с руководствами в соответствующих инструкциях. В главе «3.6 Описание электрических соединений» и на рисунке 2 проверить устройства, которые могут подключаться к RUN.

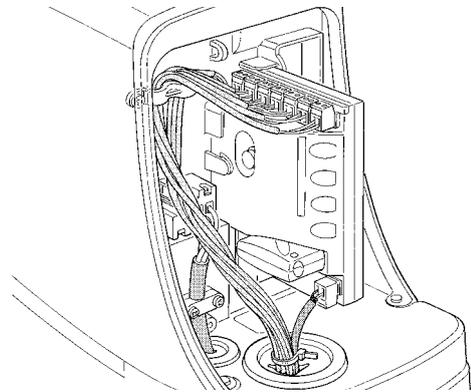
3.5) Электрические соединения

⚠ Все электрические подключения должны проводиться только при снятом напряжении.

1. Чтобы снять защитную крышку для получения доступа к электронному блоку управления RUN, необходимо снять болту сбоку и выкрутить крышку, приподняв ее вверх.
2. Удалить резиновую мембрану, которая закрывает отверстие для прохода кабелей. Вставить кабель питания в малое отверстие, и все другие кабели для других устройств в большое отверстие. Оставить кабели на 20÷30 см длиннее, чем необходимо. См.таблицу 5 для получения более подробной информации по типу кабеля и рисунок 2 - по соединениям.
3. Используя зажим для сбора кабеля, соединить кабель, входящий в большое отверстие, разместить зажим почти под отверстием входа кабеля. В резиновой мембране вырезать отверстие немного меньше, чем диаметр собранного кабеля, и затем вставить мембрану с кабелями в отверстие для прохождения кабеля; мембрана должна устанавливаться в соответствующее гнездо. Установить второй зажим для сбора кабелей, чуть выше мембраны.
4. В меньшей мембране вырезать отверстие диаметра меньше, чем диаметр кабеля питания, и вставить мембрану в соответствующее гнездо.
5. Соединить кабель питания с соответствующей клеммой и зафиксировать его соответствующим хомутиком, как показано на рисунке 14.
6. Соединить другие кабели по схеме, как показано на рисунке 16. Для облегчения процедуры клеммы съемные.
7. По завершении выполнения соединений, заблокировать зажимами собранные кабели к кабельному кольцу блока. Излишняя часть кабеля антенны фиксируется к другим кабелям при помощи другого зажима, как показано на рисунке 15.

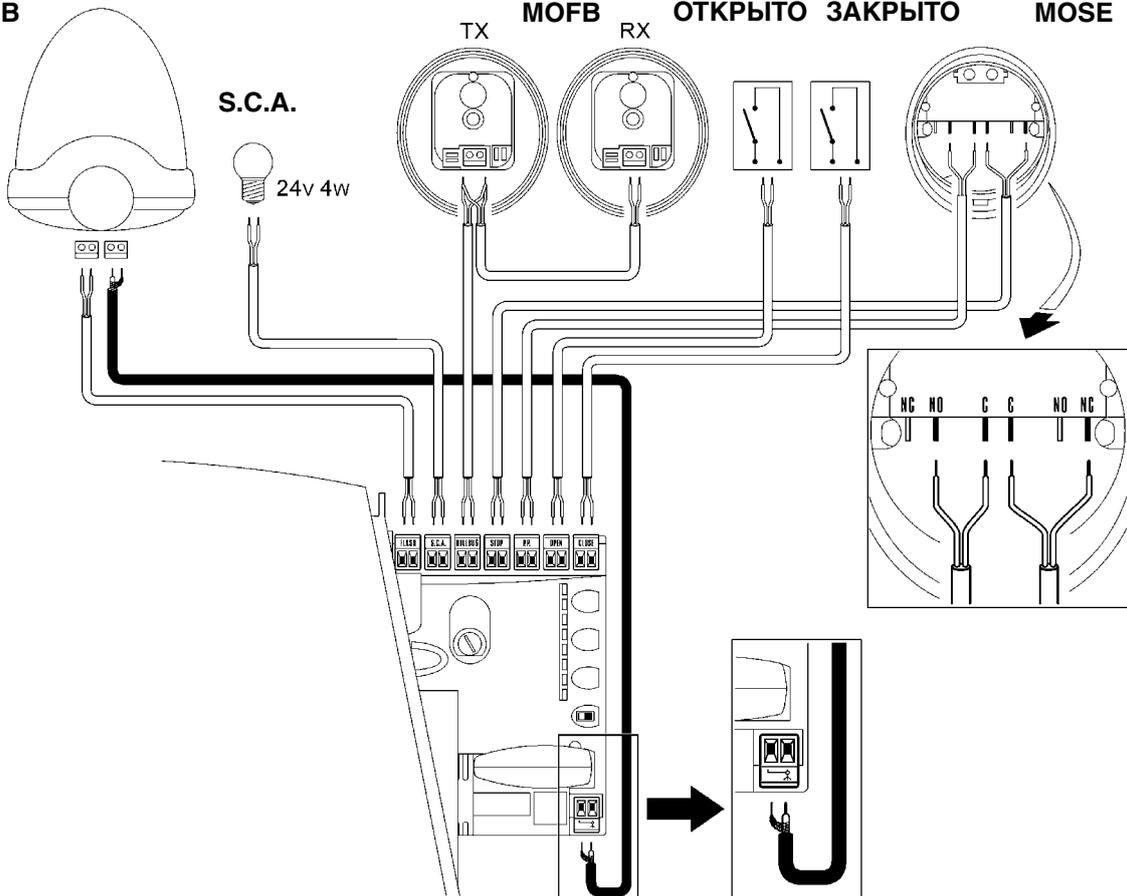


14



15

LUCYB TX MOFB RX ОТКРЫТО ЗАКРЫТО MOSE



16

Для соединения 2 двигателей для противопоставленных створок см.пункт «7.3.5 RUN в режиме Ведомый».

3.6) Описание электрических соединений

В настоящем параграфе приводится краткое описание электрических соединений: для получения более подробной информации см. параграф «7.3 Добавление или удаление устройств».

FLASH: выход для одной или двух проблесковых ламп типа «LUCYB» или аналогичных с одной лампой на 12В максимальной мощностью 21 Вт.

S.C.A.: выход «Индикатор открытых ворот»; можно подключить сигнальную лампу на 24В максимальной мощностью 4Вт. Может быть запрограммирована для других функций; см. параграф «7.2.3 Функции второго уровня».

BLUEBUS: к этой клемме могут подключаться только совместимые устройства; они подключаются параллельно с использованием только двух проводов, по одному из которых подается электрическое питание, а по второму - информационные сигналы. Для получения более подробной информации о BlueBUS см. параграф «7.3.1 BlueBUS».

СТОП: вход для устройств, блокирующих или останавливающих выполнение текущей операции; используя специальные процедуры на входе можно подключать контакты типа «Нормально закрытый», типа «Нормально открытый» или устройства с постоянным сопротивлением. Для получения более подробной информации о СТОП см. параграф «7.3.2 Вход СТОП».

PP вход для устройств, управляющих движением в Пошаговом режиме; возможно подключение контактов типа «Нормально разомкнутые».

ОТКРЫТЬ: вход для устройств, управляющих открыванием; возможно подключение контактов типа «Нормально разомкнутые».

ЗАКРЫТЬ: вход для устройств, управляющих закрыванием; возможно подключение контактов типа «Нормально разомкнутые».

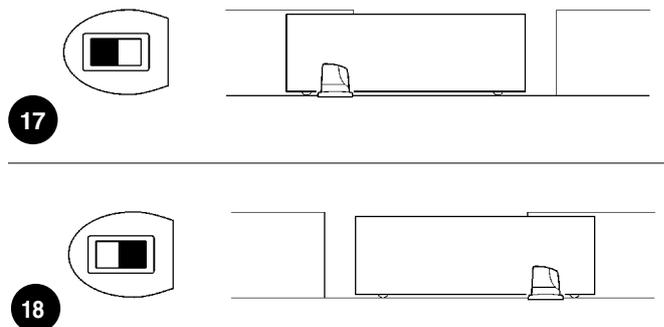
ANTENNA: вход для подключения антенны радиоприёмника (антенна встроена в LUCY B).

4) Заключительная проверка и запуск

Перед началом проверки и запуска системы автоматизации рекомендуется установить створку на половине хода, чтобы она свободно передвигалась как при открывании, так и закрывании.

4.1) Выбор направления

Направление операции открывания выбирается в зависимости от положения электропривода относительно створки. Если створка двигается влево необходимо переместить переключатель влево, как показано на рисунке 17, и если створка должна двигаться вправо необходимо переместить переключатель вправо, как показано на рисунке 18.



4.2) Подключение электропитания

▲ Подключение электропитания к RUN должно производиться квалифицированным персоналом, обладающим достаточным опытом, знаниями в соответствии с действующим законодательством, стандартами и постановлениями.

После подачи напряжения на RUN рекомендуется произвести следующие простые проверки:

1. Удостовериться, что светодиодный индикатор BlueBUS регулярно мигает с частотой примерно одна вспышка в секунду.

2. Удостовериться, что светодиодные индикаторы на фотоэлементах (как на TX, так и на RX) мигают; тип вспышек не имеет значения, поскольку он зависит от других факторов.

3. Удостовериться, что проблесковая лампа, подключенная к выходу FLASH и индикаторная лампа, подключенная к выходу S.C.A., выключены.

Если выше перечисленные условия не выполняются, необходимо немедленно выключить электропитание от блока управления и внимательно проверить все электрические соединения.

Подробную информацию по поиску и диагностике неисправностей см. главу «7.6 Поиск неисправностей».

4.3) Распознавание устройств

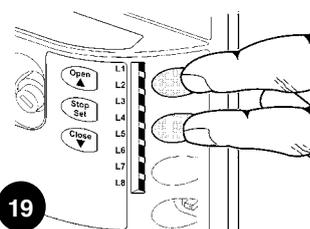
После подачи питания блок управления должен распознавать устройства, подключенные ко входам BlueBUS и СТОП. Перед этим светодиодные индикаторы L1 и L2 мигают, сигнализируя о том, что необходимо произвести процедуру распознавания устройств.

1. Нажать и удерживать нажатыми кнопки **[▲]** и **[Set]**

2. Отпустить кнопки, когда светодиодные индикаторы L1 и L2 начнут быстро мигать (примерно через 3 сек.)

3. Подождать несколько секунд, пока блок управления завершит распознавание устройств

4. По окончании процедура распознавания светодиодный индикатор СТОП будет гореть, а светодиодные индикаторы L1 и L2 погаснут (могут начать мигать светодиодные индикаторы L3 и L4)

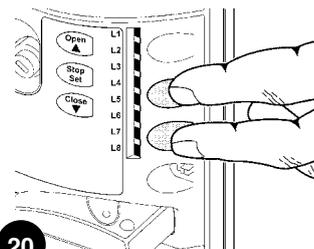


Распознавание подключенных устройств может быть произведено в любой момент, даже после установки, например, после добавления того или иного устройства; для выполнения распознавания см. параграф «7.3.6 Распознавание других устройств».

4.4) Распознавание длины створки

После распознавание устройств начинают мигать светодиодные индикаторы L3 и L4. Это означает, что блок управления должен определить длину створки (расстояние от концевого выключателя закрывания до концевого выключателя открывания). Данное измерение необходимо для расчета точки замедления и точки частичного открывания.

1. Нажать и удерживать нажатыми кнопки [▼] и [Set]
2. Отпустить кнопки после начала выполнения операции (примерно через 3 с)
3. Проверить, чтобы началась операция открывания; иначе нажать кнопку [Stop] и проверить выполнение требований параграфа «4.1 Выбор направления»; затем повторить операцию с пункта 1.
4. Подождать, пока блок управления завершит операцию открывания до достижения конечного выключателя открывания; сразу же после этого начинается операция закрывания.
5. Подождать, пока блок управления завершит операцию закрывания.



Если выше перечисленные условия не выполняются, необходимо немедленно выключить электропитание от блока управления и внимательно проверить все электрические соединения. Для получения более подробной информации см. главу «7.6 Поиск неисправностей».

4.5) Проверка движения ворот

После распознавания длины створки рекомендуется выполнить несколько маневров для проверки правильного перемещения ворот.

1. Нажать кнопку [Open] для выполнения команды «Открыть»; убедиться, что открывание происходит плавно без изменений скорости. Створка должна замедлиться за 70 - 50см от концевого выключателя открывания и остановиться на расстоянии 2÷3см от механического концевого выключателя открывания.
2. Нажать кнопку [Open] для выполнения команды «Закреть»; убедиться, что закрывание ворот происходит плавно без изменений скорости. Створка должна замедлиться за 70 - 50см от концевого выключателя открывания и остановиться на расстоянии 2÷3см от механического концевого выключателя открывания.
3. В течение маневра проверить, что проблесковая лампа мигает с интервалом 0,5 секунд. При наличии проверить вспышки лампы, подключенной к клемме S.C.A.: вспышки замедляются при открывании и ускоряются при закрывании.
4. Открыть и закрыть ворота, чтобы удостовериться, что нет дефектов монтажа или регулировки или таких неисправностей, как точки чрезмерного трения.
5. Проверить, что электропривод RUN, зубчатая рейка и кронштейны концевых выключателей надежно закреплены, устойчивы и обладают достаточной прочностью даже в случае резкого ускорения или замедления движения ворот.

4.6) Заданные функции

Блок управления RUN имеет ряд программируемых функций; заводская настройка предусматривает функции в заданной конфигурации, которая должна удовлетворять требованиям

большинства систем автоматизации; функции могут изменяться в любой момент посредством специальной процедуры программирования, для чего см. параграф «7.2 Программирование».

4.7) Радиоприемник

Для дистанционного управления оборудованием RUN на блоке управления предусмотрен разъем SM для радиоприемников типа SMXI или SMXIS, которые доступны в качестве дополнительного оборудования. Для подключения радиоприемника необходимо отключить питание на электропривод RUN и выполнить операцию, как показано на рисунке 21. В таблице 6 приводится соответствие между выходами приемника SMXI и SMXIS и командами RUN:

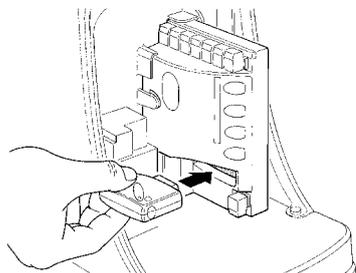


Таблица 6: команды приемника SMXI, SMXIS

Выход №1	Команда «Пошагово» Пошаговый режим
Выход №2	Команда «Частичное открывание»
Выход №3	Команда «Открыть»
Выход №4	Команда «Закреть»

Более подробную информацию смотрите в инструкции к радиоприемнику.

5) Приемочные испытания и ввод в эксплуатацию

Это наиболее важный этап при установке автоматической системы для обеспечения наибольшего уровня безопасности. Испытания также могут использоваться для периодической проверки работоспособности отдельных устройств, входящих в систему автоматизации.

▲ Приемочные испытания всей системы должны производиться квалифицированным и обученным персоналом, который должен проводить эти испытания с учетом имеющихся рисков и проверять соответствие системы действующим правилам, законам и стандартам, в частности всем требованиям стандарта EN12445, который определяет методы проверки автоматических систем для ворот.

5.1) Приемочные испытания

Каждый компонент системы автоматизации, например, кромки безопасности, фотоэлементы, аварийный останов и пр., требует специфической процедуры приемочных испытаний; в отношении данных устройств выполняются процедуры, описанные в соответствующих инструкциях по эксплуатации. Приемочные испытания RUN выполняется следующая последовательность операций:

1. Убедиться, что положения главы «1 Предупреждения» настоящего руководства выполняются в полном объеме.
2. Разблокировать электропривод, как показано в параграфе «Разблокировка и перемещение вручную» главы «Инструкция и предупреждения для пользователя электропривода RUN».
3. Убедиться, что створка может перемещаться в направлении открывания и закрывания при прикладывании усилия не более 390Н (примерно 40 кг).
4. Заблокировать электропривод.
5. При помощи устройств управления или устройств выключения (переключателя с ключом, кнопок управления или

радио передатчиков) протестируйте открывание, закрывание и остановку ворот и убедитесь, что створки ворот перемещаются в нужном направлении.

6. Поочередно проверить работу всех устройств безопасности, имеющихся в системе (фотоэлементы, чувствительные кромки, аварийный останов и пр.); проверить, что ворота правильно выполняют соответствующую команду. Каждый раз, когда срабатывает устройство, на блоке управления светодиодный индикатор «BlueBUS» быстро мигает 2 раза в подтверждение, что блок управления определяет срабатывание устройства.
7. Если для минимизации риска возникновения опасных ситуаций, связанных с перемещением створки, приняты меры по ограничению усилия при перемещении, следует произвести измерение усилия, как предусматривается стандартом EN 12445. Если регулировка «Обнаружение препятствий» и управление «Мощность двигателя» используются в качестве вспомогательного средства для уменьшения усилия, поискать и найти регулировки, обеспечивающие наиболее оптимальный результат.

5.2) Ввод в эксплуатацию

Ввод в эксплуатацию разрешается только после успешного завершения всех этапов приемочных испытаний, предусмотренных для оборудования RUN и других устройств. Невозможен частичный или «временный» ввод в эксплуатацию.

1. Заполнить и хранить не менее 10 лет технический паспорт системы автоматизации, который должен включать, как минимум: сборочный чертеж системы автоматизации, электрическую схему, анализ рисков и перечень выполненных мероприятий по их устранению, декларации соответствия изготовителей всех использованных устройств (для RUN использовать прилагаемую декларацию соответствия ЕС), копию руководства по эксплуатации и план-график технического обслуживания системы автоматизации.
2. Прикрепить к воротам табличку со следующей информацией: тип системы автоматизации, название и адрес изготовителя (организации, выполнявшей ввод системы в эксплуата-

цию), серийный номер, год изготовления и знак «CE».

3. Установить поблизости от ворот табличку или этикетку с описанием операций по разблокировке и открыванию/закрыванию ворот вручную.
4. Заполнить и передать владельцу декларацию соответствия на систему автоматизации.
5. Заполнить и передать владельцу руководство «Инструкция и предупреждения по эксплуатации системы автоматизации».
6. Заполнить и передать владельцу план-график технического обслуживания системы автоматизации (план должен содержать указания по техническому обслуживанию всех отдельных устройств, входящих в систему).
7. Перед вводом системы автоматизации в эксплуатацию уведомить соответствующим образом в письменной форме владельца (например в инструкции и предупреждения по эксплуатации системы автоматизации) об остаточных рисках и опасностях.

6) Обслуживание и утилизация

В настоящей главе приводится информация по выполнению плана обслуживания и утилизации электроприводов RUN.

6.1) Обслуживание

Для поддержания соответствующего уровня безопасности и гарантии максимального срока службы всей системы автоматизации требуется регулярное обслуживание. Для этих целей на электроприводах RUN предусмотрен счетчик операций и система предупреждения о необходимости проведения обслуживания; см. параграф «7.4.4 Уведомление об обслуживании».

▲ Обслуживание должно производиться в строгом соответствии с правилами безопасности, изложенными в настоящем руководстве, и в соответствии с действующим законодательством и действующими стандартами.
По вопросам обслуживания различных устройств, помимо RUN,

обращаться к соответствующим планам-графикам обслуживания.

1. Плановое обслуживание RUN необходимо производить каждые 6 месяцев или после не более 30 000 циклов с момента последнего обслуживания.
2. Отключить источник электропитания.
3. Проверить износ всех элементов, составляющих систему автоматики, обращая внимание на эрозию или окисление комплектующих; заменить любые части, не соответствующие стандартам.
4. Проверить износ всех движущихся частей: шестерня, зубчатая рейка и все части створки. При необходимости заменить.
5. Подключить источники электропитания и провести все виды испытаний и проверок, как указывается в параграфе «5.1 Приемочные испытания».

6.2) Утилизация

Как монтаж, так и демонтаж изделия по окончании срока его службы должны проводиться квалифицированным персоналом. Настоящее изделие состоит из различных материалов, некоторые из которых могут перерабатываться, а другие подлежат утилизации. Более подробную информацию по переработке и утилизации различных видов материалов можно получить в местных органах по охране окружающей среды.

▲ Отдельные части изделия могут содержать вредные или опасные вещества, которые при ненадлежащей утилизации могут причинить ущерб окружающей среде или здоровью человека.

Знаком, изображенным на рисунке 22, указывается на то, что данное изделие нельзя утилизировать как бытовые отходы. Храните и утилизируйте данное изделие отдельно от бытового мусора в соответствии с требованиями местного законодательства; или верните его в пункт продажи при покупке нового аналогичного изделия. Действующие нормы по охране окружающей среды могут предусматривать серьезные санкции за нарушение правил утилизации данного изделия.



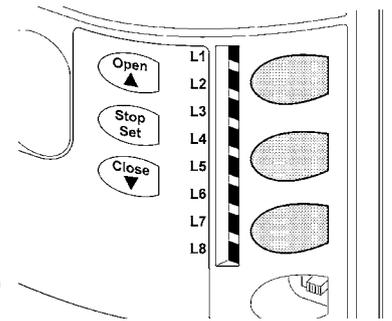
7) Дополнительная информация

В данной главе приводится информация обо всех возможностях программирования, персонализации, диагностики и поиска неисправностей для RUN.

7.1) Кнопки программирования

На блоке управления RUN имеются 3 кнопки, которые используются для управления блоком управления во время испытаний и программирования:

Открыть ▲	Кнопка «ОТКРЫТЬ» позволяет управлять открыванием ворот или перемещаться вверх по программным настройкам
Стоп Set	Кнопка СТОП позволяет остановить движение. При нажатии в течение более 5 секунд позволяет войти в режим программирования.
Закреть ▼	Кнопка «ЗАКРЫТЬ» позволяет управлять закрыванием ворот или перемещаться вниз по программным настройкам



23

7.2) Программирование

В блоке управления RUN доступны некоторые программируемые функции; настройка данных функций осуществляется посредством 3 кнопок на блоке управления: [▲] [Set] [▼], которые сигнализируются при помощи 8 светодиодных индикаторов: L1...L8.

Программируемые функции, доступные в RUN, реализованы на 2 уровнях:
Первый уровень: функции, регулируемые в режиме ВКЛ.-

ВЫКЛ. (активна или неактивна); в этом случае каждый из светодиодных индикаторов L1...L8 сигнализирует о включении функции. Если индикатор горит, функция активна, если выключен, функция выключена; см. таблицу 7.

Второй уровень: параметры настраиваются по шкале значений (от 1 до 8); в этом случае каждый светодиодный индикатор L1...L8 обозначает настраиваемое значение из 8 возможных; см. таблицу 9.

7.2.1) Функции первого уровня (функции ВКЛ.-ВЫКЛ.)

Таблица 7: список программируемых функций: первый уровень

Светодиодный индикатор	Функция	Описание
L1	Автоматическое закрывание	Данная функция позволяет воротам автоматически закрываться после запрограммированного интервала времени; заводская установка данного интервала составляет 30 секунд, но можно изменена на 5, 15, 30, 45, 60, 80, 120 и 180 секунд. Если функция отключена, ворота будут закрываться в «полуавтоматическом» режиме.
L2	Закрывание после фото	Данная функция позволяет удерживать ворота открытыми только в течение заданного периода времени, необходимое для проезда; операция «Фото» вызывает автоматическое закрывание через 5 секунд (независимо от заданного значения). Этот режим изменяется в зависимости от того включена или выключена функция «Автоматическое закрывание». Если функция «Автоматическое закрывание» не включена: Ворота всегда будут достигать позиции полного открывания (даже если отключение функции «Фото» происходит раньше). По истечении 5 секунд с последнего срабатывания фотодатчика ворота будут автоматически закрыты. Если функция «Автоматическое закрывание» включена: открывание приостанавливается сразу же после освобождения фотодатчика и через 5 секунд произойдет автоматическое закрывание. Функция «Закрывание после фото» всегда отключается при прерывании выполнения операции посредством команды Стоп. Если функция «Закрывание после фото» не включена, интервал времени соответствует запрограммированному; автоматическое закрывание не происходит, если функция выключена.
L3	Всегда закрыто	При включении функции «Всегда закрыто» ворота будут всегда закрываться, если при возобновлении электропитания обнаруживается, что ворота были открыты. По соображениям безопасности при закрывании ворот всегда будет предупреждать 5-секундное мигание фонаря. Если функция выключена, при возобновлении электропитания ворота будут оставаться неподвижными.
L4	Замедление	После включения данной функции начинается фаза замедления в конце операции открывания и закрывания. Скорость замедления соответствует 60% номинальной скорости. Внимание: во время замедления двигатель развивает только половину крутящего момента; невозможно замедление на тяжелых воротах или воротах, требующих максимального крутящего момента. Если замедление неактивно, скорость будет постоянной на протяжении всей операции.
L5	Пиковая нагрузка	Если данная функция активизирована, отключается постепенное ускорение в начале каждой операции; это позволяет получить максимальную пиковую нагрузку и полезно, когда статическое трение высоко, например, если снег или лед блокируют створку. Если пиковая нагрузка неактивна, операция начнется с постепенного ускорения.
L6	Предварительное мигание	При включении данной функции устанавливается пауза 3 секунды между началом мигания проблесковой лампы и началом операции для предварительного предупреждения пользователя о возникновении опасной ситуации. Если функция предварительного мигания выключена, лампа загорается одновременно с началом операции.
L7	«Закреть» становится «Частичное открывание»	При активации данной функции все команды «закреть» (вход «ЗАКРЫТЬ» или дистанционная команда «закреть») активируют «Частичное открывание», т.е. операцию частичного открывания (см. светодиодный индикатор L6 в таблице 9).
L8	Режим «Ведомый»	При включении данной функции RUN становится ведомым устройством, позволяя синхронно управлять двумя двигателями для створок, двигающихся в противоположном направлении, когда один двигатель является ведущим, а второй ведомым. Для получения более подробной информации см. параграф «7.3.5 RUN в режиме «Ведомый»».

Во время нормальной работы RUN светодиодные индикаторы L1...L8 включаются или выключаются в зависимости от статуса соответствующей функции, например, L1 включен, если активна функция «Автоматическое закрывание».

7.2.2 Программирование первого уровня (функции ВКЛ.-ВЫКЛ.)

В качестве заводской установки функции первого уровня установлены в положение «Выключено», однако есть возможность в любое время изменить их, как указано в таблице 8. Следует обратить внимание на то, что максимальный перерыв между нажатиями кнопок в режиме программирования составляет 10 секунд. По истечении данного времени происходит автоматическое сохранение всех сделанных изменений настроек.

Таблица 8: изменение функций ВКЛ.-ВЫКЛ.

		Пример
1.	Нажать и удерживать нажатой кнопку [Set] в течение примерно 3сек	
2.	Отпустить кнопку [Set], когда светодиодный индикатор L1 начинает мигать	
3.	Нажать кнопки [▲] или [▼] для перемещения мигающего светодиодного индикатора к индикатору соответствующей функции, требующей изменения	
4.	Нажать кнопку [Set] для изменения состояния функции (короткая вспышка = ВЫКЛ.; продолжительная вспышка = ВКЛ.)	
5.	Подождать 10 сек для выхода из режима программирования по завершении максимально допустимого времени.	

Примечание: пункты 3 и 4 могут быть повторены во время одной фазы программирования для установки ВКЛ. или ВЫКЛ. для других функций.

7.2.3 Функции уровня 2 (настройка параметров)

Таблица 9: список программируемых функций (второй уровень)

Вход индикатор	Параметр	Индикатор (уровень)	Значение	Описание
L1	Время Пауза	L1	5 секунд	Настройка времени паузы, т.е. задержки перед автоматическим закрытием. Изменения параметра будут заметны только при активной функции автоматического закрытия.
		L2	15 секунд	
		L3	30 секунд	
		L4	45 секунд	
		L5	60 секунд	
		L6	80 секунд	
		L7	120 секунд	
		L8	180 секунд	
L2	Функция «Пошагово»	L1	Открытие – стоп – закрытие – стоп	Определяет последовательность команд для входа «пошагово» или 1-канала приемника.
		L2	Открытие – стоп – закрытие – открытие	
		L3	Открытие – закрытие – открытие – закрытие	
		L4	Совместный	
		L5	Совместный 2 (больше 2 сек. - стоп)	
		L6	Пошаговый 2 (меньше 2 сек. - частичное открытие)	
		L7	Присутствие человека	
		L8	Открытие в «полуавтоматическом» режиме, закрытие в режиме «присутствие человека»	
L3	Обнаружение препятствий	L1	Крайне высокая чувствительность (легкие ворота)	Регулирует чувствительность обнаружения препятствий. Необходимо обратить внимание на то, что на чувствительность оказывает влияние также мощность двигателя (см.L5); мощность двигателя регулируется в первую очередь; только после этого можно отрегулировать чувствительность обнаружения препятствий.
		L2	Очень высокая чувствительность	
		L3	Высокая чувствительность	
		L4	Средняя чувствительность	
		L5	Чувствительность ниже средней	
		L6	Низкая чувствительность	
		L7	Очень низкая чувствительность	
		L8	Крайне низкая чувствительность (тяжелые ворота)	
L4	Выход S.C.A.	L1	Функция «Индикатор открытых ворот»	Определяет функцию выхода S.C.A. (вне зависимости от функции выхода, подает напряжение 24В -30 +50% при максимальной мощности 4Вт).
		L2	Включен, если ворота закрыты	
		L3	Включен, если ворота открыты	
		L4	Включен при 2-ом радиоканале	
		L5	Включен при 3-ем радиоканале	
		L6	Включен при 4-ом радиоканале	
		L7	Индикация обслуживания	
		L8	Электрзамок	
L5	Проверка крутящего момента двигателя	L1	На 40%	После запуска двигателя регулирует мощность для приведения ее в соответствие с весом ворот. Система контроля производит также измерение температуры среды, автоматически увеличивая мощность при очень низкой температуре.w
		L2	На 50%	
		L3	На 60%	
		L4	На 80%	
		L5	На 100%	
		L6	Полуавтоматическое 1=40÷100% (1)	
		L7	Полуавтоматическое 2=60÷100%(1)	
		L8	Автоматическое = 0÷100% (2)	

Вход индикатор	Параметр	Индикатор (уровень)	Значение	Описание
L6	Частичное открывание	L1	0,5 м	Настройка положения частичного открывания. Частичное открывание управляется 2-ым каналом радиуправления или при помощи «ЗАКРЫТЬ», если имеется функция «Закреть», которая становится «Частичное открывание».
		L2	1 м	
		L3	1,5 м	
		L4	2 м	
		L5	2,5 м	
		L6	3 м	
		L7	3,4 м	
		L8	4 м	
L7	Уведомление об обслуживании	L1	Автоматическое (в зависимости от индекса трудности операции)	Настройка количества операций, при котором подается сигнал о необходимости обслуживания системы автоматизации (см. параграф «7.4.4. Уведомление об обслуживании»).
		L2	2 000	
		L3	4 000	
		L4	7 000	
		L5	10 000	
		L6	15 000	
		L7	20 000	
		L8	30 000	
L8	Перечень неисправностей	L1	Результат 1-ой операции (последней)	Позволяет определить тип неисправности в последних 8 операциях (см. параграф «7.6.1. Архив неисправностей»).
		L2	Результат 2-ой операции	
		L3	Результат 3-ей операции	
		L4	Результат 4-ой операции	
		L5	Результат 5-ой операции	
		L6	Результат 6-ой операции	
		L7	Результат 7-ой операции	
		L8	Результат 8-ой операции	

Примечание: «■» обозначает стандартную заводскую настройку.

Примечание (1): Автоматически регулирует мощность, поддерживая минимальный уровень гарантированной мощности.

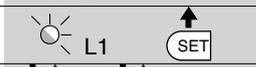
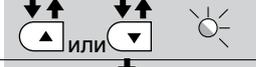
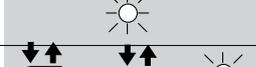
Примечание (2): Автоматически регулирует мощность.

Все параметры могут быть отрегулированы в зависимости от требований пользователя без каких-либо противопоказаний; только настройки «Обнаружение препятствий» и «Мощность двигателя» требуют особого внимания:

- Не вводить высокие значения мощности для компенсации большого трения створки; чрезмерная мощность может отрицательно сказаться на работе системы безопасности или повредить створку.
- Если функция «Обнаружение препятствий» используется для уменьшения силы воздействия в системе, после каждой настройки измерять мощность в соответствии со стандартом EN 12445.
- Износ и климатические условия могут оказывать влияние на движение ворот, поэтому может потребоваться периодически проверять настройки мощности.

7.2.4) Программирование второго уровня (регулируемые параметры)

В качестве заводской настройки регулируемые параметры установлены, как показано в Таблице 9: «■» однако их можно изменить в любое время, как показано в таблице 10. Следует обратить внимание на то, что максимальный перерыв между нажатиями кнопок в режиме программирования составляет 10 секунд. По истечении данного времени происходит автоматическое сохранение всех сделанных изменений настроек.

Таблица 10: изменение регулируемых параметров		Пример
1.	Нажать и удерживать нажатой кнопку [Set] в течение примерно 3сек	
2.	Отпустить кнопку [Set], когда светодиодный индикатор L1 начнет мигать	
3.	Нажать кнопку [▲] или [▼] для перемещения мигающего светодиодного индикатора к входному индикатору соответствующего параметра	
4.	Нажать и удерживать нажатой кнопку [Set], кнопка [Set] удерживается нажатой во время выполнения шагов 5 и 6	
5.	Подождать примерно 3 секунды, пока не загорится светодиодный индикатор, отражающий фактический уровень изменяемого параметра	
6.	Нажать кнопку [▲] или [▼] для перемещения светодиодного индикатора, отражающего значение параметра.	
7.	Отпустить кнопку [Set]	
8.	Подождать 10 сек для выхода из режима программирования по завершении максимально допустимого времени.	

Примечание: пункты 3 и 7 могут быть повторены во время одной фазы программирования для настройки других параметров

7.2.5) Пример программирования первого уровня (функции ВКЛ.-ВЫКЛ.)

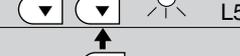
В качестве примера приводится последовательность изменения заводских настроек функций «Автоматическое закрытие» (L1) и «Всегда закрыто» (L3).

Таблица 11: пример программирования первого уровня		Пример
1.	Нажать и удерживать нажатой кнопку [Set] в течение примерно 3сек	
2.	Отпустить кнопку [Set], когда светодиодный индикатор L1 начнет мигать	
3.	Нажать один раз кнопку [Set], чтобы изменить состояние соответствующей функции на L1 (Автоматическое закрытие), светодиодный индикатор L1 мигает длинными вспышками	
4.	Нажать 2 раза кнопку [▼] для перемещения мигающего индикатора на индикатор L3	
5.	Нажать один раз кнопку [Set], чтобы изменить состояние соответствующей функции на L3 (Всегда закрыто), светодиодный индикатор L3 мигает длинными вспышками	
6.	Подождать 10 сек для выхода из режима программирования по завершении максимально допустимого времени.	

По завершении данной операции светодиоды L1 и L3 должны гореть для индикации активности функций «Автоматическое закрытие» и «Всегда закрыто».

7.2.6) Программирование второго уровня (регулируемые параметры)

В качестве примера приводится последовательность операций по изменению заводских настроек параметров и увеличения «Времени паузы» до 60 секунд (вход на L1 и уровень на L5) и уменьшения «Проверки крутящего момента» на 60% (вход на L5 и уровень на L3).

Таблица 12: пример программирования второго уровня		Пример
1.	Нажать и удерживать нажатой кнопку [Set] в течение примерно 3сек	
2.	Отпустить кнопку [Set], когда светодиодный индикатор L1 начнет мигать	
3.	Нажать и удерживать нажатой кнопку [Set]; кнопка [Set] удерживается нажатой во время выполнения шагов 4 и 5	
4.	Подождать примерно 3 сек, пока не загорится светодиодный индикатор L3, обозначающий текущее значение «Времени паузы»	
5.	Нажать 2 раза кнопку [▼] для перемещения горящего светодиодного индикатора на L5, обозначающий новое значение «Времени паузы»	
6.	Отпустить кнопку [Set]	
7.	Нажать 4 раза кнопку [▼] для перемещения мигающего индикатора на индикатор L5	
8.	Нажать и удерживать нажатой кнопку [Set]; кнопка [Set] удерживается нажатой во время выполнения шагов 9 и 10	
9.	Подождать примерно 3 сек, пока не загорится светодиодный индикатор L5, обозначающий текущий уровень «Крутящего момента двигателя»	
10.	Нажать 2 раза кнопку [▲▼] для перемещения горящего светодиодного индикатора на L3, обозначающий новое значение «Крутящего момента двигателя»	
11.	Отпустить кнопку [Set]	
12.	Подождать 10 сек для выхода из режима программирования по завершении максимально допустимого времени.	

7.3) Добавление или удаление устройств

К системе автоматизации с RUN в любой момент можно добавлять или удалять из нее различные устройства. В частности, к «BlueBUS» и входу СТОП можно подсоединять устройства различных типов, как указывается в следующих

параграфах.

После каждого добавления или удаления устройств необходимо повторно произвести распознавание устройств, как описано в пункте «7.3.6 Распознавание различных устройств».

7.3.1) Шина BlueBUS

Система BlueBUS позволяет производить подключение совместимых устройств двужильным кабелем, по которому подается элетропитание и передаются сигналы управления. Все устройства соединяются параллельно на двужильном кабеле системы BlueBUS, при этом нет необходимости в соблюдении полярности и каждое устройство распознается индивидуально, поскольку во время монтажа ему присваивается однозначный адрес. К системе BlueBUS подключаются, например,

фотоэлементы, устройства безопасности, кнопки управления, сигнальные лампы и пр. Блок управления RUN распознает индивидуально все устройства путем соответствующей фазы распознавания и способен в полной безопасности обнаружить все возможные неисправности. В связи с этим в любое время можно добавить или удалить устройство, подключенное к BlueBUS, для чего блок управления должен выполнить фазу распознавания, как описано в параграфе «7.3.6 Распознавание других устройств».

7.3.2) Вход СТОП

СТОП - вход, который обеспечивает немедленную остановку операции с короткой инверсией. К этому входу могут подключаться устройства с нормально разомкнутыми контактами «NA», нормально замкнутыми «NC» или устройства с выходом с постоянным сопротивлением 8,2КΩ, например, чувствительные кромки.

Как в случае BlueBUS, блок управления распознает тип подсоединенного устройства на входе СТОП в процессе распознавания (см. параграф «7.3.6 Распознавание других устройств»); затем выполняется команда СТОП, когда обнаруживается изменение статуса входа.

При соответствующей настройке ко входу СТОП можно подключить несколько устройств, даже разных типов:

- Несколько устройств NA подключаются параллельно между собой без ограничений по количеству.
- Несколько устройств NC подключаются последовательно

между собой без ограничений по количеству.

- Два устройства с выходом с постоянным сопротивлением 8,2КΩ подключаются параллельно; если требуется подключение более, чем 2 устройств, они подключаются каскадом с терминалом 8,2КΩ.
- Возможна комбинация NA и NC, соединив параллельно 2 контакта с установкой последовательно на контакте NC резистора 8,2КΩ (что делает возможным подключение комбинации 3 устройств: NA, NC и 8,2КΩ).

⚠ Если вход СТОП используется для подключения устройств с функциями безопасности, только устройства с выходом с постоянным сопротивлением 8,2КΩ гарантируют надежную защиту категории 3 в соответствии со стандартом EN 954-1.

7.3.3) Фотоэлементы

Используя специальные переключки для адресации, система «BlueBUS» позволяет блоку управления распознавать фотоэлементы и назначать им правильные функции распознавания. Операция адресации выполняется одновременно, как для излучателя фотодатчика TX, так и для приёмника RX установкой переключек в одинаковое положение для обоих и проверкой, нет ли других фотоэлементов с таким же адресом. В системе автоматизации для раздвижных ворот, оснащенных электроприводом RUN, можно устанавливать фотоэлементы, как показано на рисунке 24.

После установки или удаления фотоэлементов необходимо выполнить фазу распознавания, как описано в параграфе

«7.3.6 Распознавание других устройств».



24

Таблица 13: адресация фотоэлементов

Фотоэлемент	Переключки	Фотоэлемент	Переключки
ФОТО Внешний фотоэлемент h = 50 с активацией при закрывании		ФОТО 2 Внешний фотоэлемент с активацией при открывании	
ФОТО II Внешний фотоэлемент h = 100 с активацией при закрывании		ФОТО 2 II Внутренний фотоэлемент с активацией при открывании	
ФОТО 1 Внутренний фотоэлемент h = 50 с активацией при закрывании		ФОТО 3 Один фотоэлемент для всей системы автоматизации	
ФОТО 1 II Внутренний фотоэлемент h = 100 с активацией при закрывании		⚠ Установка FOTO 3 вместе с FOTO II требует расположения элементов, составляющих фотоэлемент (TX - RX) в соответствии с инструкцией по установке фотоэлементов.	

7.3.4) Фотодатчик FT210B

Фотодатчик FT210B - это устройство, объединяющее систему ограничения мощности (тип C в соответствии со стандартом EN12453) и датчик присутствия, который определяет наличие препятствия на оси между передатчиком TX и приемником RX (тип D в соответствии со стандартом EN12453). В фотодатчике FT210B сигналы статуса чувствительных кромок передаются посредством луча фотоэлемента, объединяя две системы в одном устройстве. Передатчик устанавливается на подвижной створке и питается от встроенной батареи, не требуя установки соединителей, нарушающих внешний вид; специальные цепи снижают потребление тока батареей для гарантии срока службы до 15 лет (см. соответствующее описание в инструкциях к изделию).

Одно устройство FT210B, которое сочетается с кромкой безопасности (примерно TCB65), позволяет достичь определенного уровня безопасности «первичной кромки» согласно

стандарту EN12453 для любого «типа использования» и «типа активации».

Фотодатчик FT210B, который сочетается с «резистивными» кромками безопасности (8,2КОм) безопасен при одной неисправности (категория 3 согласно стандарту EN 954-1). Оборудован специальной цепью против столкновения, которая предотвращает удара с другими устройствами присутствия, даже если они не синхронизированы, и позволяет добавлять другие фотоэлементы; например, в случае прохождения тяжелых автотранспортных средств, где обычно устанавливается второй фотоэлемент на расстоянии 1 м от земли. Для получения более подробной информации о соединении и адресации см. руководство по эксплуатации фотодатчика FT210B.

7.3.5) RUN в режиме «Ведомый»

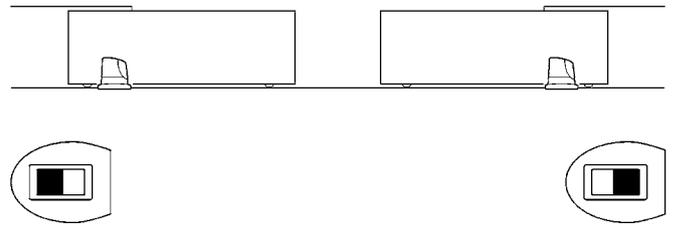
При программировании и подключении RUN может функционировать в режиме «Ведомый»; данная функция применяется для синхронизации двух створок, движущихся в противоположном направлении, для синхронизации их движения. В этом режиме RUN работает как «Ведущий», т.е. управляет операциями, в то время как второй RUN работает как «Ведомый», т.е. выполняет команды «Ведущего» (заводская установка предполагает, что все RUN работают как «Ведущие»). Для конфигурации RUN в качестве «Ведомого» необходимо включить функцию первого уровня «Ведомый режим» (см.таблицу 7).

Соединение между RUN «Ведущий» и RUN «Ведомый» осуществляется по шине BlueBUS.

⚠ В этом случае полярность соединения двух RUN должна соответствовать как показано на рисунке 26 (другие устройства остаются неполярными).

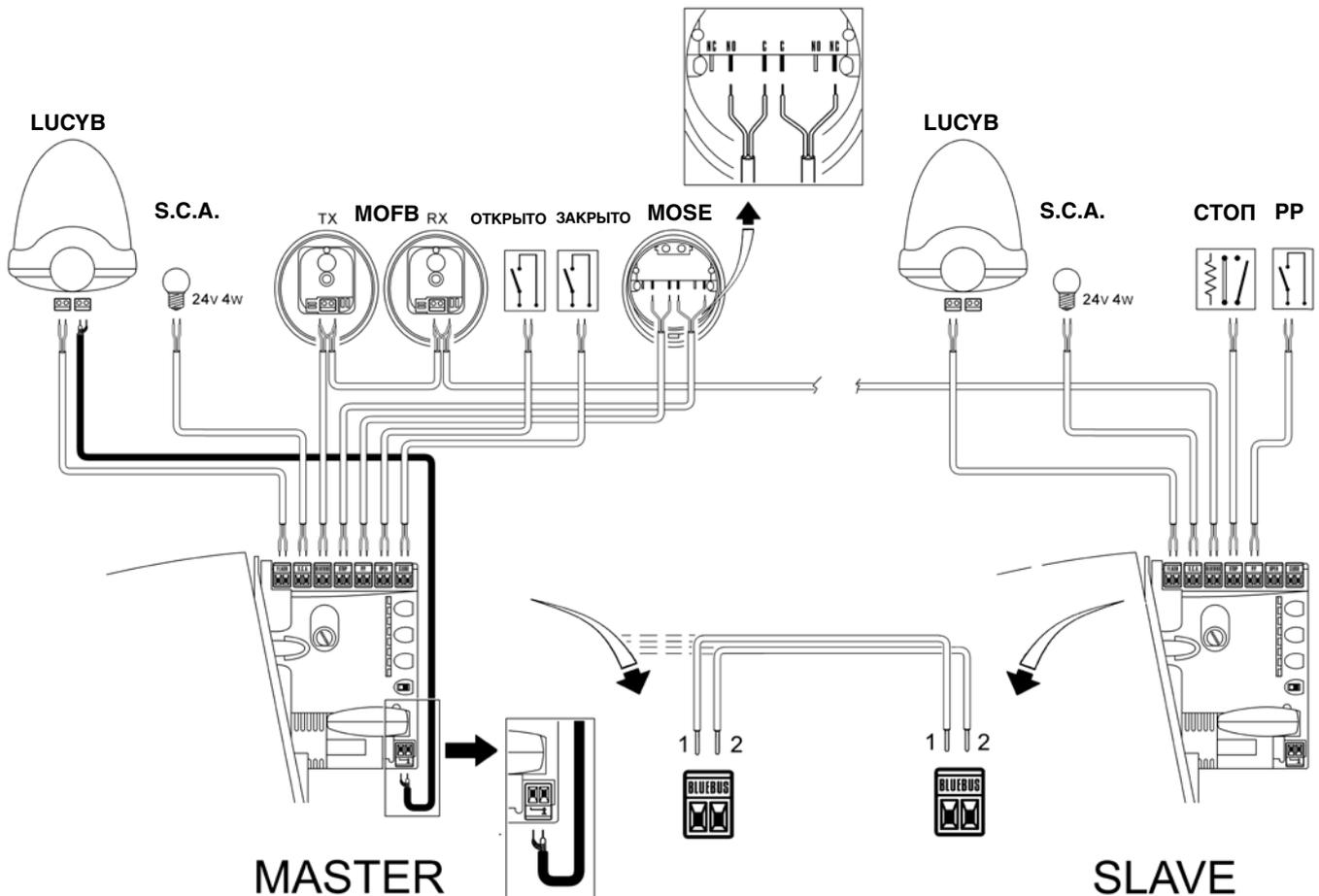
Для установки 2 RUN в режим «Ведущий» и «Ведомый» необходимо выполнить следующие операции:

- Произвести монтаж 2 двигателей, как показано на рисунке 25. Не важно, который из двух двигателей работает как «Ведущий» и который «Ведомый»; при выборе необходимо произвести оценку удобства соединения и того факта, что Пошаговое управление обеспечивает полное открывание только створки в режиме «Ведомый».



25

- Подключить 2 двигателя, как показано на рисунке 26.
- Выбрать направление операции на открывание 2 двигателей, как показано в параграфе «4.1 Выбор направления».
- Подать питание на 2 двигателя.
- В RUN «Ведомый» запрограммировать функцию «Режим ведомый» (см.таблицу 7).
- Произвести распознавание устройств на RUN Ведомый (см. параграф «4.3 Распознавание других устройств»).
- Произвести распознавание устройств на RUN Ведущий (см. параграф «4.3 Распознавание других устройств»).
- Произвести распознавание длины створки на RUN Ведущий (см.параграф «4.4 Распознавание длины створки»).



26

При соединении 2 RUN в режиме «Ведущий-Ведомый» обратить внимание на:

- Все устройства должны подключаться к RUN «Ведущий» (как показано на рис. 26), включая радиоприемник
- Все запрограммированные настройки на RUN «Ведомый» игнорируются (доминируют настройки RUN «Ведущий»), за исключением указанных в таблице 14.

Таблица 14: программирование на RUN Ведомый независимо от RUN Ведущий

Функции первого уровня (функции ВКЛ.-ВЫКЛ.)	Функции второго уровня (регулируемые параметры)
Stand-by	Обнаружение препятствий
Пиковая мощность	Выход SCA
Режим «Ведомый»	Крутящий момент двигателя
	Список неполадок

К «Ведомому» можно подключить:

- отдельную проблесковую лампу (Flash)
- отдельный индикатор открытых ворот (S.C.A.)
- отдельной кромкой безопасности (Стоп)
- отдельным устройством управления (Пошагово) для полного открывания одной створки в режиме «Ведомый».
- В режиме «Ведомый» входы «Открыть» и «Закрыть» не используются.

7.3.6) Распознавание других устройств

Обычно распознавание устройств, подключенных к BlueBUS и входу СТОП, выполняется при монтаже; однако при добавлении или удалении устройств можно повторно произвести распознавание, как показано в таблице 15.

Таблица 15: распознавание других устройств

	Пример
1. Нажать и удерживать нажатыми кнопки [▲] и [Set]	
2. Отпустить кнопки, когда светодиодные индикаторы L1 и L2 начнут быстро мигать (примерно через 3 сек.)	
3. Подождать несколько секунд, пока блок управления завершит распознавание устройств	
4. В конце процедура распознавания светодиодные индикаторы L1 и L2 перестают мигать, с ветодиодный индикатор СТОП должен продолжать гореть, в то время как светодиодные индикаторы L1...L8 загораются в зависимости от статуса функций ВКЛ.-ВЫКЛ., которые они представляют.	

▲ После добавления или удаления устройств необходимо заново произвести приемочные испытания системы автоматизации, как описано в параграфе «5.1. Приемочные испытания».

7.4) Специальные функции

7.4.1) Функция «Всегда открыто»

Функция «Всегда открыто» является особенностью блока управления, которая позволяет пользователю управлять операцией открывания, когда режим «Пошагово» длится более 2 секунд. Это полезно, например, для подключения к клемме «Пошагово» контакта таймера

программирующего устройства, чтобы удерживать ворота открытыми в течение некоторого периода времени. Данная особенность работает с любым видом программирования входа «Пошагово», за исключением «Кондоминиум 2» - см. параграф «Функция Пошагово» в таблице 9.

7.4.2) Функция «Движение в любую сторону»

Когда одно из устройств безопасности не функционирует должным образом или не используется, можно управлять и перемещать ворота в режиме «Присутствие человека».

Для получения более подробной информации см. параграф «Управление с неисправными устройствами безопасности» в приложении «Инструкция и предупреждения для пользователя электроприводом RUN».

7.4.3) Система управления нагревом и охлаждением.

RUN оборудован сложной системой управления нагревом и охлаждением двигателя. Значение внутренней температуры электропривода RUN определяется специальным датчиком и используется для управления системой климат-контроля, которая нагревает

двигатель при наружной температуре ниже 0°C (если функция «Нагрев» была активирована с помощью устройства дистанционного программирования «OpenView»); или ускоряет охлаждение двигателя, когда наружная температура превышает 40°C

7.4.4) Уведомление об обслуживании

RUN предупреждает пользователя о необходимости проведения обслуживания системе автоматизации. Количество операций, после которого поступает уведомление, выбирается на одном из 8 уровней посредством регулируемого параметра «Уведомление об обслуживании» (см. таблицу 9). Уровень настройки 1 является «автоматическим» и зависит от степени трудности операций, т.е. усилия и продолжитель-

ности операции, в то время как другие настройки основываются на количестве операций.

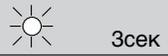
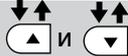
Уведомление об обслуживании посылается при помощи проблесковой лампы или соответствующим индикатором, соединенным с выходом S.C.A. при программировании «Индикатора обслуживания» (см. таблицу 9). Проблесковая лампа сигнализирует о необходимости проведения обслуживания в зависимости от количества операций, как указывается в таблице 16.

Таблица 16: уведомление об обслуживании проблесковой лампы и индикатора обслуживания

Количество операций	Сигнализация проблесковой лампой	Сигнализация индикатором обслуживания
Менее 80% предела	Нормально (0,5 сек вкл., 0,5 сек выкл.)	Включена в течение 2 сек в начале открывания
81 — 100% предела	В начале операции остается включенной в течение 2 сек, затем работает нормально	Мигание на протяжении всей операции
Выше 100% предела	В начале и конце операции остается включенной в течение 2 сек, затем работает нормально	Всегда мигает.

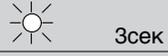
Контроль количества выполненных операций

При помощи функции «Уведомление об обслуживании» можно проверить количество выполненных операций в процентном соотношении от установленного значения предела. Выполните действия, как описано в таблице 17.

Таблица 17: проверка количества выполненных операций		Пример
1.	Нажать и удерживать нажатой кнопку [Set] в течение примерно 3сек	
2.	Отпустить кнопку [Set], когда светодиодный индикатор L1 начнет мигать	
3.	Нажать кнопки [▲] или [▼] для перемещения мигающего индикатора на L7, т.е. «входной индикатор» для параметра «Уведомление об обслуживании»	
4.	Нажать и удерживать нажатой кнопку [Set], кнопка [Set] должна быть нажатой во время выполнения шагов 5, 6 и 7	
5.	Подождать примерно 3 секунды, пока не загорится светодиодный индикатор, отражающий фактическое значение параметра «Уведомление об обслуживании»	
6.	Нажать и быстро отпустить кнопки [▲] и [▼].	
7.	Соответствующий светодиодный индикатор выбранного параметра мигает несколько раз. Количество вспышек соответствует процентное соотношение выполненных операций (умноженное на 10%) от установленного предела. Например: при заданном уведомлении об обслуживании на L5 равному 10000, 10% составляет 1000 операций; если индикатор вспыхнул 4 раза, это означает, что достигнут статус 40% операций (т.е. от 4000 до 4999 операций). Индикатор не вспыхивает, если 10% операций не достигнуто.	
8.	Отпустить кнопку [Set]	

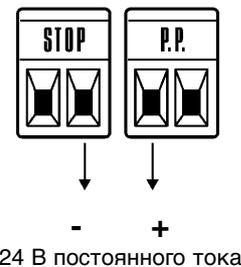
Обнуление счетчика операций

По завершении обслуживания системы необходимо обнулить счетчик операций. Выполнить действия, как описано в таблице 18.

Таблица 18: сброс счетчика операций		Пример
1.	Нажать и удерживать нажатой кнопку [Set] в течение примерно 3сек	
2.	Отпустить кнопку [Set], когда светодиодный индикатор L1 начнет мигать	
3.	Нажать кнопки [▲] или [▼] для перемещения мигающего индикатора на L7, т.е. «входной индикатор» для параметра «Уведомление об обслуживании»	
4.	Нажать и удерживать нажатой кнопку [Set], кнопка [Set] удерживается нажатой во время выполнения шагов 5 и 6	
5.	Подождать примерно 3 секунды, пока не загорится светодиодный индикатор, отражающий фактическое значение параметра «Уведомление об обслуживании»	
6.	Нажать и удерживать нажатой в течение не менее 5 секунд кнопки [▲] и [▼], затем отпустить обе кнопки. Соответствующий светодиодный индикатор начнет быстро мигать, сигнализируя об обнулении счетчика.	
7.	Отпустить кнопку [Set]	

7.5) Подключение других устройств

При необходимости питания внешних устройств, например, считывателя карт или освещения ключа-выключателя, возможно получить питание, как показано на рисунке 27. Напряжение питания составляет 24 В постоянного тока -30% ÷ +50%, максимальный потребляемый ток - 100мА.



7.6) Поиск неисправностей

В таблице 19 содержатся полезные рекомендации, которые помогут устранить неисправности, возникающие в процессе установки или в случае сбоев в работе.

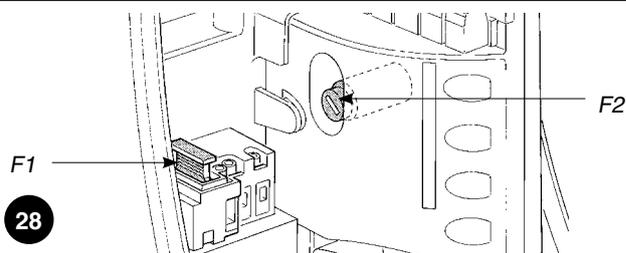


Таблица 19: поиск неисправностей

Признаки	Рекомендуемые проверки
Радио передатчик не управляет воротами и светодиодный индикатор на передатчике не загорается	Проверить батарейки передатчика и при необходимости заменить
Радио передатчик не управляет воротами, но светодиодный индикатор на передатчике не загорается	Проверить, что данный передатчик правильно сохранен в радио приемнике
Не происходит управление ни одной операцией и светодиодный индикатор «BlueBUS» не мигает	Проверить, что на RUN подается питание сети. Кроме того, проверить исправность предохранителей. При обнаружении перегоревших выяснить причину, устранить ее, а затем заменить предохранители аналогичными по параметрам.
Не происходит управление ни одной операцией и проблесковая лампа выключена	Убедиться, что команда принимается. Если команда подается на вход «Пошагово», включается соответствующий индикатор «Пошагово»; если используется радио передатчик светодиодный индикатор «BluBus» должен сделать две быстрые вспышки.
Не происходит управление ни одной операцией и проблесковая лампа делает несколько вспышек	Подсчитать количество вспышек и сравнить со значением из таблицы 21
Операция начинается, но сразу же происходит реверс движения	Выбранная чувствительность обнаружения препятствий слишком высока для данного типа ворот. Убедиться в отсутствии препятствий и выбрать меньшую чувствительность обнаружения.
Операция выполняется правильно, но проблесковая лампа не работает	Проверить, что во время выполнения операции на клеммах проблесковой лампы есть напряжение (напряжение должно быть в пределах 10-30 В постоянного тока); если напряжение присутствует, проблема может заключаться в самой лампе, в этом случае лампу заменить на лампу с аналогичными характеристиками; если напряжение не поступает, возможна перегрузка выхода проблесковой лампы. Проверить, что кабель не короткозамкнут.
Операция выполняется правильно, но индикатор SCA не работает	Проверить тип запрограммированного выхода SCA (L4 в Таблице 9) Проверить, что во время выполнения операции на клеммах SCA есть напряжение (напряжение должно быть примерно 24 В постоянного тока); если напряжение присутствует, проблема может заключаться в самом индикаторе, в этом случае индикатор заменить на индикатор с аналогичными характеристиками; если напряжение не поступает, возможна перегрузка выхода SCA. Проверить, что кабель не короткозамкнут.

7.6.1) Архив неисправностей

RUN позволяет отображать неисправности, произошедшие в течение последних 8 операций, например, срабатывание фотоэлементов или кромки безопасности. Для отображения списка неисправностей см. таблицу 20.

Таблица 20: архив неисправностей

	Пример
1. Нажать и удерживать нажатой кнопку [Set] в течение примерно 3сек	3сек
2. Отпустить кнопку [Set], когда светодиодный индикатор L1 начнет мигать	L1 SET
3. Нажать кнопки [▲] или [▼] для перемещения мигающего индикатора на L8, т.е. «входной индикатор» для параметра «Перечень неисправностей»	L8
4. Нажать и удерживать нажатой кнопку [Set], кнопка [Set] удерживается нажатой во время выполнения шагов 5 и 6	SET
5. Через 3 секунды должны загореться светодиодные индикаторы, соответствующие операции, при выполнении которых произошел сбой. Светодиодный индикатор L1 обозначает результат самой последней операции, индикатор L8 - результат восьмой операции. Если индикатор включен, это означает, что при выполнении операции произошла ошибка; если индикатор выключен, операция завершилась без ошибок.	3сек L1 L8
6. Нажать кнопки [▲] и [▼] для выбора требуемой операции: Соответствующий индикатор мигает столько же раз, сколько и проблесковая лампа после определения ошибки (см. таблицу 21). И	L1 L8
7. Отпустить кнопку [Set]	SET

7.7) Диагностика и сигналы

Некоторые устройства посылают специальные сигналы, по которым можно определить рабочий статус или неисправность устройства.

7.7.1) Сигналы проблесковой лампы

Во время выполнения операции проблесковая лампа вспыхивает один раз в секунду; при возникновении ошибки вспышки происходят чаще; лампа вспыхивает дважды с перерывом в секунду.

Таблица 21: сигналы проблесковой лампы

Частый вспышки	Причина	ДЕЙСТВИЕ
1 мигание 1-секундная пауза 1 мигание	Ошибка шины BlueBUS	В начале операции проверка устройств, подключенных к BlueBUS, не соответствует определенным в фазе распознавания. В случае обнаружения неисправностей, проверить и заменить; в случае модификации произвести процедуру распознавания (7.3.4 Распознавание других устройств).
2 вспышки 1-секундная пауза 2 вспышки	Срабатывание фотоэлемента	В начале операции один или более фотоэлементов не дают разрешение на движение, проверить наличие препятствий. Во время движения обнаруживается препятствие.
3 вспышки 1-секундная пауза 3 вспышки	Срабатывание функции «Обнаружение препятствий»	В процессе движения ворот обнаруживается высокое трение; выяснить причину
4 вспышки 1-секундная пауза 4 вспышки	Срабатывание на входе СТОП	В начале или во время перемещения произошло срабатывания входа СТОП; установить причину.
5 вспышки 1-секундная пауза 5 вспышки	Ошибка внутренних параметров электронного блока управления.	Подождать не менее 30 секунд и попробовать еще раз подать команду; если проблема не исчезнет, значит имеет место серьезная поломка или необходимо заменить электронную плату.
6 вспышки 1-секундная пауза 6 вспышки	Превышение максимального количества операций в час.	Выждать несколько минут, пока ограничитель операций уменьшит значение максимального предела.
7 вспышек 1-секундная пауза 7 вспышек	Сбой во внутренних электрических цепях	Отсоединить на несколько секунд блок от сети питания, затем попробовать подать команду. Если проблема не исчезнет, значит имеет место серьезная поломка или необходимо заменить плату блока
8 вспышек 1-секундная пауза 8 вспышек	Уже имеется команда, не допускающая исполнения других команд	Проверить, какая команда постоянно обнаруживается; например, это может быть команда «открывания» от таймера на входе.

7.7.2) Сигналы блока управления

В блоке управления RUN имеется ряд светодиодных индикаторов, каждый из которых может подавать специальные сигналы, как при нормальной работе, так и в случае ошибки.

29

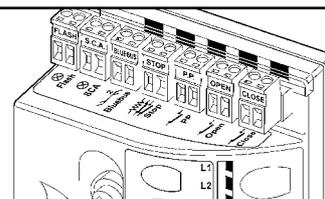


Таблица 22: индикаторы на клеммах блока управления

Индикатор BLUEBUS	Причина	ДЕЙСТВИЕ
Не горит	Неполадка	Проверить, имеется ли питание. Убедиться в том, что предохранители целы. Если это не так, выявить причину, устранить ее и заменить предохранитель аналогичным
Горит	Серьезная неисправность	Имеется серьезная неполадка. Попробовать выключить блок, подождать немного, а затем включить. Если неполадка не исчезла необходимо заменить электронную плату.
1 мигание в секунду	Всё ОК	Нормальная работа
2 быстрых мигания	Произошло изменение статуса входов	Это нормально, когда происходит изменение состояния одного из входов; «Пошагово», «Стоп», «ОТКРЫТЬ», «ЗАКРЫТЬ», срабатывание фотодатчика или прием сигналов пульта дистанционного управления
Ряд отдельных вспышек с паузой в одну секунду	Прочее	Такой же сигнал, что и на проблесковой лампе, см.таблицу 21
Индикатор СТОП	Причина	ДЕЙСТВИЕ
Не горит	Срабатывание на входе СТОП	Проверить устройства, подключенные ко входу СТОП
Горит	Всё ОК	Вход СТОП активен
Индикатор «Пошагово»	Причина	ДЕЙСТВИЕ
Не горит	Всё ОК	Вход «Пошагово» не активен
Горит	Срабатывание на входе «Пошагово»	Это нормально, если включено устройство, подсоединенное к входу «Пошагово»
Индикатор ОТКРЫТЬ	Причина	ДЕЙСТВИЕ
Не горит	Всё ОК	Вход ОТКРЫТЬ не активен
Горит	Срабатывание на входе ОТКРЫТЬ	Это нормально, если включено устройство, подсоединенное к входу ОТКРЫТЬ
Индикатор ЗАКРЫТЬ	Причина	ДЕЙСТВИЕ
Не горит	Всё ОК	Вход ЗАКРЫТЬ не активен
Горит	Срабатывание на входе ЗАКРЫТЬ	Это нормально, если включено устройство, подсоединенное к входу ЗАКРЫТЬ

Таблица 23: индикаторы на кнопках блока управления

Светодиод 1	Описание
Не горит	При нормальной работе указывает, что функция «Автоматическое закрывание» не работает.
Горит	При нормальной работе указывает на то, что функция «Автоматическое закрывание» отключена.
Мигает	<ul style="list-style-type: none"> Выполняется программирование функций Если мигает одновременно с L2, необходимо произвести распознавание устройств (см. параграф «4.3 Распознавание устройств»).
Светодиодный индикатор L2	Описание
Не горит	При нормальной работе указывает на то, что функция «Закрывание после фото» выключена.
Горит	При нормальной работе указывает на то, что функция «Закрывание после фото» включена.
Мигает	<ul style="list-style-type: none"> Выполняется программирование функций Если мигает одновременно с L1, необходимо произвести распознавание устройств (см. параграф «4.3 Распознавание устройств»).
Светодиодный индикатор L3	Описание
Не горит	При нормальной работе указывает на то, что функция «Всегда закрыто» отключена.
Горит	При нормальной работе указывает на то, что функция «Всегда закрыто» включена.
Мигает	<ul style="list-style-type: none"> Выполняется программирование функций Если мигает одновременно с L4, необходимо произвести распознавание длины створки (см. параграф «4.4 Распознавание длины створки»).
Светодиодный индикатор L4	Описание
Не горит	При нормальной работе указывает на то, что функция «Дежурный режим» отключена.
Горит	При нормальной работе указывает на то, что функция «Дежурный режим» включена.
Мигает	<ul style="list-style-type: none"> Выполняется программирование функций Если мигает одновременно с L3, необходимо произвести распознавание длины створки (см. параграф «4.4 Распознавание длины створки»).
Светодиодный индикатор L5	Описание
Не горит	При нормальной работе указывает на то, что функция «Пиковая нагрузка» отключена.
Горит	При нормальной работе указывает на то, что функция «Пиковая нагрузка» включена.
Мигает	Выполняется программирование функций
Светодиодный индикатор L6	Описание
Не горит	При нормальной работе указывает на то, что функция «Предварительная сигнализация» отключена.
Горит	При нормальной работе указывает на то, что функция «Предварительная сигнализация» включена.
Мигает	Выполняется программирование функций
Светодиодный индикатор L7	Описание
Не горит	Во время нормальной работы указывает на то, что вход ЗАКРЫТЬ начинает операцию закрывания
Горит	Во время нормальной работы указывает на то, что вход ЗАКРЫТЬ начинает операцию частичного открывания.
Мигает	Выполняется программирование функций
Светодиодный индикатор L8	Описание
Не горит	Во время нормальной работы указывает на то, что RUN конфигурирован как «Ведущий»
Горит	Во время нормальной работы указывает на то, что RUN конфигурирован как «Ведомый»
Мигает	Выполняется программирование функций

7.8) Аксессуары

Для RUNS предусматриваются следующие дополнительные аксессуары:

- SMXI или SMXIS: Радиоприемник 433.92МГц с цифровым кодированием Rolling Code.
- ONEXI: Радиоприемник 433.92МГц с цифровым кодированием

Rolling Code; оснащенный режимом III для отправки 15 типов команд на блок управления

- OperaView; Устройство дистанционного управления. Ознакомьтесь с каталогом продукции компании Nice S.p.a. для проверки обновленного перечня доступных аксессуаров.

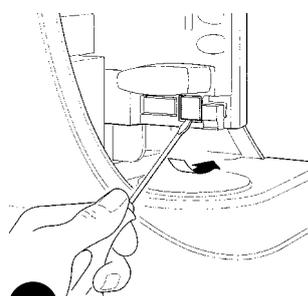
7.8.1) Устройство дистанционного программирования

К специальному разъему BusT4 (см. рисунок 30) можно подключить устройство дистанционного управления Oview, обеспечивающее полное и быстрое управление монтажом, обслуживанием и диагностикой возможных неисправностей. Для получения доступа к разъему необходимо удалить мембрану, как показано на рисунке 31. Устройство дистанционного программирования может устанавливаться на определенном расстоянии от блока управления, до 100м кабеля; он может подключаться к нескольким блокам управления одновременно, до 16 блоков, и может быть подключен во время нормальной работы электропривода RUN; в этом случае специальное меню пользователя позволяет подавать команды на блок управления. Если в блоке управления имеется радиоприемник типа Oxi или Oxit, при помощи устройства дистанционного программирования возможно получения доступа в параметрам сохраненных передатчиков.

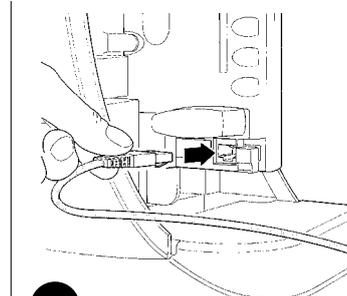
Для данных функций требуется соединительный кабель на 4 провода (BusT4). Возможно обновление прошивки блока управления RUN.

Более подробная информация содержится в руководстве по эксплуатации устройства программирования Oview.

ВАЖНО – Для получения более подробной информации о функциях системы NiceOpera и взаимосвязи различных устройств системы, обращаться к общему руководству «NiceOpera System Book», доступному на сайте www.niceforyou.com.



30



31

8) Технические характеристики

С целью постоянного совершенствования собственной продукции компания Nice S.p.a оставляет за собой право изменять технические характеристики в любой момент и без предварительного предупреждения, без ущерба для функционального назначения изделия. Все технические характеристики приведены для окружающей температуры 20°C (± 5°C).

Технические характеристики RUN		
Модель тип	RUN 1800 - RUN 1800P - RUN 1800/V1	RUN 2500 - RUN 2500P
Описание	Электромеханический привод для автоматизации раздвижных ворот промышленного использования со встроенным блоком управления	
Шестерня	Число зубьев 18; Модуль 4 *	
Пиковая осевая нагрузка (соответствует способности развивать усилие для поддержания движения створки)	40Нм (1110Н)	50Нм (1390Н)
Номинальный крутящий момент (соответствует способности развивать усилие для поддержания движения створки)	20Нм (560Н)	30Нм (830Н)
Скорость (на холостом ходу)	10м/мин (12м/мин версия /V1)	
Скорость (при номинальном крутящем моменте)	8,5м/мин (8,9м/мин версия /V1)	
Максимальная частота циклов работы (при номинальном крутящемся моменте)	11 циклов/час (264 циклов/день) для ворот 15м (равно циклу 63%), (блок управления ограничивает максимальный предел, как указано в таблицах 2 и 3)**	15 циклов/час (365 циклов/день) для ворот 15м (равно циклу 88%), (блок управления ограничивает максимальный предел, как указано в таблицах 2 и 3)**
Максимальное время непрерывного хода (при номинальном крутящемся моменте)	40 минут (блок управления ограничивает непрерывный ход до максимальной величины согласно таблицам 2 и 3)***	60 минут (блок управления ограничивает непрерывный ход до максимальной величины согласно таблицам 2 и 3)***
Ограничения использования	Как правило, электромеханический привод RUN способен обеспечивать автоматизацию ворот весом и длиной в пределах величин, указанных в таблицах 2, 3 и 4	
Продолжительность	Рассчитана на 150 000 - 450 000 циклов в зависимости от условий, описанных в таблице 4	
Электропитание RUN 1800 - 2500	230В перем.тока (+10% -15%) 50 Гц.	
Электропитание RUN 1800/V1-2500/V1	120В перем.тока (+10% -15%) 60Гц.	
Максимальная потребляемая мощность на пуске [в Амперах]	700 Вт [3 А] [5 А версия /V1]	870 Вт [3,8 А]
Максимальная мощность при номинальном крутящем моменте [в Амперах]	400 Вт [1,8 А] [3 А версия /V1]	600 Вт [2,7 А]
Класс изоляции	1 (необходимо заземление)	
Выход фонарь	для 2 фонарей LUCYB (лампа 12В, 21Вт)	
Выход S.C.A	для 1 фонаря 24В макс. 4Вт (напряжение на выходе может варьироваться от -30 до +50% и может управлять также небольшими реле)	
Выход BLUEBUS	выход с максимальной нагрузкой 15 устройств BlueBus	
Вход СТОП	Для замыкаемых или размыкаемых контактов или контактов с постоянным сопротивлением 8,2КΩ; в режиме автоматического поиска и запоминания (любые разночтения с запомненным состоянием приведут к немедленному выполнению команды «СТОП»)	
Вход «Пошагово»	для размыкаемых контактов (закрывание контакта приведет к выполнению команды «Пошагово»)	
Вход ОТКРЫТЬ	для нормально разомкнутых контактов (закрывание контакта приводит к выполнению команды ОТКРЫТЬ)	
Вход ЗАКРЫТЬ	для нормально разомкнутых контактов (замыкание контакта приводит к выполнению команды ЗАКРЫТЬ)	
Штекерное соединение для радио	Разъем SM для приёмника SMXI; SMXIS или ONEXI	
Вход радиоантенны	Вход ANTENNA приемника 52Ω для кабеля типа RG58 или похожего	
Программируемые функции	8 функций типа ВКЛ.-ВЫКЛ. и 8 регулируемых функций (см.таблицы 7 и 9)	
Функции автоматического поиска и распознавания	Автоматический поиск и запоминание устройств, подключенных к выходу BlueBus Автоматический поиск и распознавание типа устройства «СТОП» (контакт NA, NC или сопротивление 8,2КΩ) автоматический поиск и распознавание длины ворот или расчет точек замедления и частичного открывания.	
Рабочая температура	-20 ÷ 50°C	
Использование в кислой, соленой или потенциально взрывоопасной среде	Не допускается	
Степень защиты	IP 44	
Размеры и вес	400 x 255 в 390; 24,5 кг	

* Доступна дополнительная шестерня на 12 зубьев модуль 6.

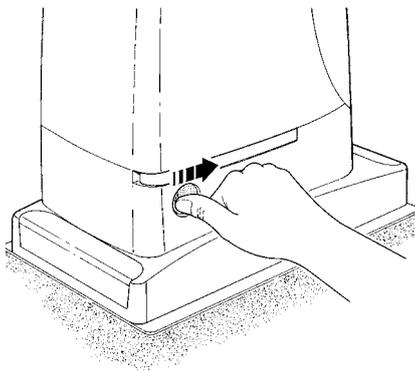
** При 50°C и в случае ворот 15 м максимальная рабочая частота составляет 7 циклов/час (равно циклу 40%).

*** При 50°C, максимальное время непрерывной работы составляет 10 минут.

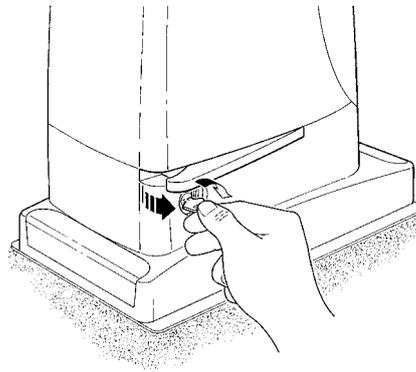
- **Перед первым использованием системы автоматизации** получить от представителя монтажной организации информацию об остаточных рисках и уделите немного времени прочтению настоящей инструкции и предупреждений для пользователя, предоставленного установщиком. Хранить руководство на случай справок в будущем или возможной передачи изделия новому владельцу.
 - **Ваша система автоматизации - это оборудование, выполняющее Ваши команды;** небрежное или ненадлежащее использование могут сделать ее опасной: не подавать команду движения, если в радиусе действия находятся люди, животные или предметы.
 - **Дети:** система автоматизации обеспечивает высокую степень безопасности. Благодаря наличию собственных систем безопасности она полностью исключает движение при наличии людей или предметов, обеспечивая предсказуемую и безопасную работу ворот. Тем не менее, детям категорически запрещается играть в непосредственной близости от системы автоматизации. Храните пульт дистанционного управления в месте, недоступном детям. **Помните, что это не игрушка!**
 - **Неисправности:** При обнаружении неполадки или аномалий в работе немедленно отключите систему от электрической сети и заблокируйте ее механически. Не пытайтесь производить ремонт самостоятельно. Вызовите уполномоченного сервисного специалиста. До прихода специалиста ворота можно будет открывать вручную, предварительно разблокировав электромеханический привод, как описано ниже.
 - **Обслуживание:** Как любое другое оборудование, система автоматизации нуждается в периодическом обслуживании с целью обеспечения ее продолжительной и безопасной работы. Согласуйте с Вашим специалистом по установке план периодического обслуживания; компания Nice рекомендует производить вмешательства один раз в полгода в случае обычного бытового использования, но данная периодичность может варьироваться в зависимости от интенсивности эксплуатации. Любые операции по проверке, обслуживанию или ремонту должны производиться только квалифицированным персоналом.
 - Даже при понимании процесса, не изменяйте конструкцию оборудования, настройки и параметры системы автоматизации: это должен делать только специалист по установке.
 - Испытания, периодическое техническое обслуживание и ремонт должны документироваться обслуживающей организацией. Копии данных документов должны храниться у владельца системы.
- Единственная операция,** которую может производить пользователь оборудования (и рекомендуется делать это регулярно), - это периодическая чистка стекол фотоэлементов или удаление листьев или камней, которые могут создавать препятствия для работы системы автоматизации. Во избежание несанкционированного использования системы автоматизации перед началом проведения работ не забывайте о **разблокировке автоматических устройств** (как описывается ниже). Чистку производите чистой ветошью, слегка смоченной водой.
- **Утилизация:** По окончании срока службы системы демонтаж должен производиться квалифицированным персоналом, и утилизация и переработка компонентов должны выполняться в соответствии с требованиями действующего законодательства.
 - **При поломке или отсутствии напряжения в электрической сети:** Во время ожидания прихода специалиста по установке или возобновления подачи энергии, если система не оборудована буферной батареей, система автоматизации может использоваться как любая неавтоматизированная система. Для этого необходимо вручную произвести разблокировку (единственная операция, которую может производить пользователь системы автоматизации): данная операция была тщательно разработана компанией Nice для максимального облегчения эксплуатации, не прибегая к применению специальных устройств или физической силы.

Разблокировка и перемещение вручную: перед началом данной операции обратить **внимание** на то, что разблокировка может иметь место только в том случае, если створка неподвижна.

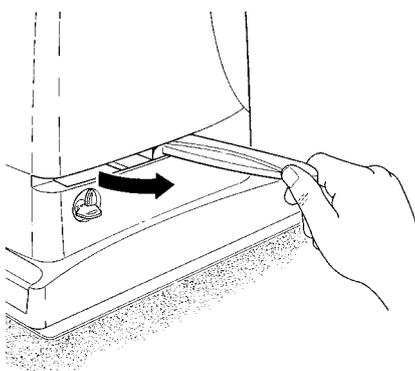
1 Откинуть диск, покрывающий замок.



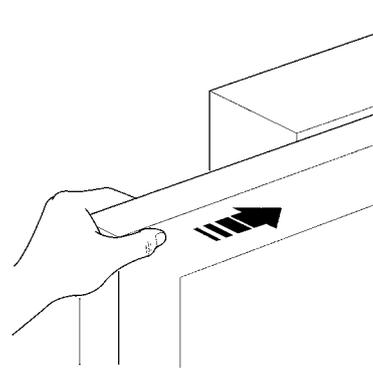
2 Вставить ключ и повернуть его по часовой стрелке.



3 Потянуть ручку разблокировки.



4 Переместить створку вручную.



Для блокировки: выполнить перечисленные выше операции в обратном порядке

Управление при неисправности устройств безопасности: управление воротами возможно даже при неисправности устройств безопасности ворот.

- Включить управление ворот (при помощи пульта дистанционного управления, ключевого переключателя и пр.); если все в порядке, ворота откроются и закроются в обычном режиме, в противном случае проблесковая лампа произведет несколько вспышек, и выполнение операции не начнется (количество вспышек зависит от причины, по которой задаваемая операция не может быть выполнена).
- В этом случае в течение трех секунд необходимо **произвести** повторное включение и **удерживать активной** команду.
- Примерно через 2с начнется движение ворот в режиме «присутствие человека»: при удержании кнопки нажатой, ворота продолжают перемещаться; после того, как кнопка управления отпущена, ворота останавливаются.

⚠ При неисправности устройств безопасности необходимо как можно скорее произвести ремонт системы автоматизации.

Замена батареек пульта дистанционного управления: если через какое-то время начинаются сбои в работе пульта дистанционного управления, или он перестает работать, это может быть вызвано истощением батареи (в зависимости от интенсивности эксплуатации, это может произойти через несколько месяцев - год). О необходимости замены батареи свидетельствует тот факт, что лампочка подтверждения передачи сигнала не включается, слабо горит или включается с некоторым опозданием. Прежде чем обратиться к специалисту по установке попытайтесь заменить батарею аналогичной батареей из другого действующего пульта: если проблема устраняется, достаточно только вставить новую батарею с аналогичными характеристиками.

Батареи содержат опасные вещества, поэтому запрещается выбрасывать их в общие отходы, а утилизировать в порядке, предписанном местными нормативами.

Декларация соответствия ЕС **и декларация о возможности подключения «квазимашины»**

Декларация о соответствии требованиям Директив: 2004/108/CE (EMC); 2006/42/CE (MD) приложение II, часть В

Примечание - Содержание настоящей декларации соответствует данным, задекларированным в официальном документе, который может быть представлен в офисе компании Nice S.p.a., и, в частности, в своей последней версии, доступной до момента передачи настоящего руководства в печать. Приведенный текст декларации был адаптирован по издательским соображениям. Копию оригинальной декларации можно запросить у компании Nice S.p.A. (TV) I.

Номер: 238/RUN

Ревизия: 5

Язык: RU

Название изготовителя:

Nice s.p.a.

Адрес:

Via Pezza Alta N°13, 31046 Rustignè di Oderzo (TV) Italy (Италия)

Лицо, уполномоченное на составление

технической документации:

Nice s.p.a.

Вид изделия:

Электромеханический привод со встроенным блоком управления

Модель:

RUN1800, RUN2500, RUN1800P, RUN2500P

Аксессуары:

Приемники сигналов пультов дистанционного управления моделей SMXI, SMXIS и ONEXI

Я, нижеподписавшийся, Мауро Сордини (Mauro Sordini), в качестве Генерального директора, заявляю со всей ответственностью, что указанное далее изделие признано соответствующим требованиям нижеуказанных директив:

- ДИРЕКТИВА 2004/108/СЕ ЕВРОПЕЙСКОГО ПАРЛАМЕНТА И СОВЕТА МИНИСТРОВ от 15 декабря 2004, касающейся унификации законодательства стран-членов ЕС по электромагнитной совместимости, и заменяющей Директиву 89/336/СЕЕ, в соответствии со следующими общеевропейскими стандартами: EN 61000-6-2:2005, EN 61000-6-3:2007+A1:2011

Помимо этого изделие отвечает требованиям следующей директивы в части, касающейся «квазимашин»:

Директивы 2006/42/СЕ ЕВРОПЕЙСКОГО ПАРЛАМЕНТА И СОВЕТА МИНИСТРОВ от 17 мая 2006г., касающейся машиностроения и изменяющей Директиву 95/16/СЕ (переработка)

- Также декларируется что соответствующая техническая документация была составлена в соответствии с приложением VII В Директивы 2006/42/СЕ и с соблюдением следующих основных положений: 1.1- 1.1.2- 1.1.3- 1.2.1-1.2.6- 1.5.1-1.5.2- 1.5.5- 1.5.6- 1.5.7- 1.5.8- 1.5.10- 1.5.11
- Изготовитель обязуется предоставить уполномоченным национальным органам по соответствующим образом оформленному запросу всю необходимую информацию по «квазимашине», сохраняя при этом все имеющиеся авторские права.
- Если «квазимашина» вводится в эксплуатацию в стране, язык которой отличается от использованного в настоящей декларации, импортер обязан предоставить надлежащий перевод декларации.
- «Квазимашина» не должна вводиться в эксплуатацию до тех пор, пока машина, в которую она встроена, не будет, в свою очередь, признана соответствующей, если применимо, требованиям директивы 2006/42/СЕ.

Кроме того изделие отвечает требованиям следующих стандартов:

EN 60335-1:2012 EN 60335-2-103:2003+A11:2009

Изделие, включая только применимые компоненты, признано отвечающим требованиям следующих стандартов:

EN 13241-1:2003+A1:2011, EN 12445:2002, EN 12453:2002, EN 12978:2003+A1:2009

Одерцо, 1 июля 2014 г.

Инж. Мауро Сордини (Mauro Sordini)
(Генеральный директор)





Nice SpA
Oderzo TV Italia
info@niceforyou.com

www.niceforyou.com