

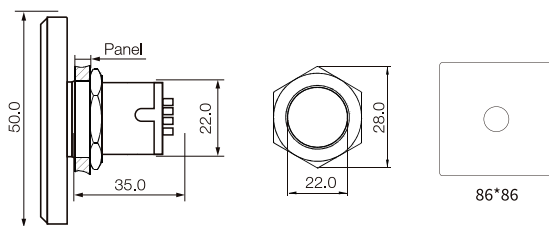


# Flat round big metal switch - S886M6P



## Dimensions :

Unit: mm



## Features :

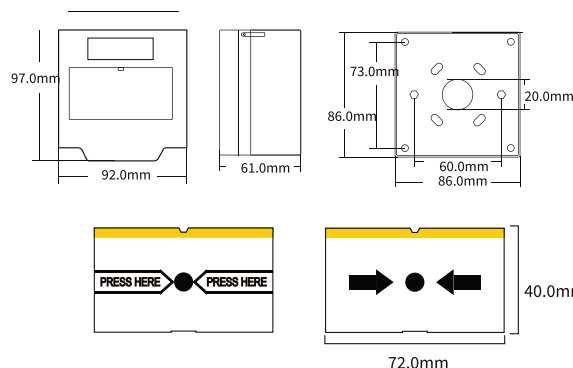
Installation Diameter: 22mm  
 Contact Rating: 3A/125-250VAC  
 Output Contact: NO/NC/COM  
 Mechanical Life: 500,000 Tests  
 Button Colour: Green Red  
 Operating Temperature: -20°C~+55°C(14-131F)  
 Suitable Humidity: 0-95%(relative humidity)  
 Panel : 1.7mm Thick 304 Stainless Steel (Wire Drawing)

# Call Point - 808G2



## Dimensions :

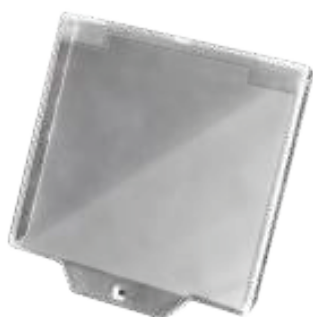
Unit: mm



## Features :

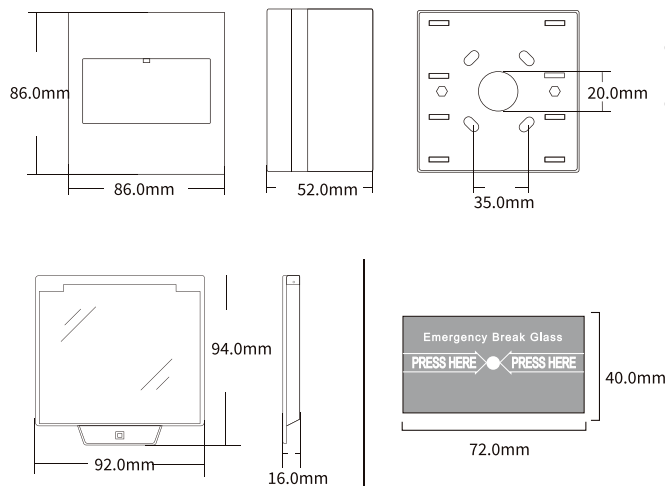
Dimensions: 86L\*86W\*61H(mm)  
 Current Rating: 3A/125 or 250VAC  
 Output: DPDT/2NO/2NC/2COM  
 Installation Mode: Surface Mount  
 Button Colour: Green Red White  
 Operating Temperature: -20°C~+55°C(14-131F)  
 Operating Humidity: 0-95%(relative humidity)  
 Logo: Customizable  
 Material: Fireproof Material

# Call Point - 809COVER



## Dimensions :

Unit: mm



## Features :

Dimensions: 86L\*86W\*52H(mm)  
 Current Rating: 3A/125 or 250VAC  
 Installation Mode: Surface Mount  
 Output: 1 SPDT/NO/NC/COM  
2 DPDT/2NO/2NC/2COM  
 Operating Temperature: -20°C~+55°C(14-131F)  
 Operating Humidity: 0-95%(relative humidity)  
 Logo: Customizable  
 Material: Fireproof Material  
 Optional Colour: Green Red Yellow BLUE White