

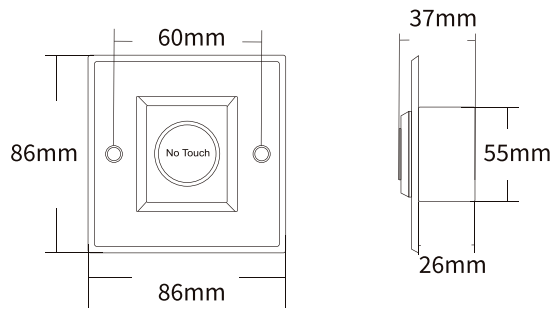
# Key Switch



## No Touch - K2 - 1



### Dimensions :



### Features :

Contact Rating: 3A/125-250AC

Output: NO/NC/COM

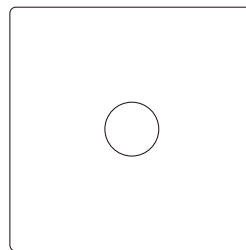
Power: 12VDC and 24VDC

Detection range: Max. 20cm

## Single Pole Double Throw - S86KLC



### Dimensions :



86\*86

### Features :

Contact Rating: 3A/125-250VAC

Mechanical Life: 500,000 Tests

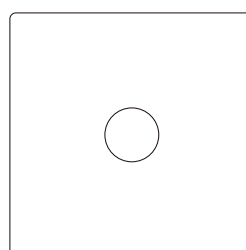
Installation Diameter: 19mm

Operating Temperature: -20°C~+55°C(14-131F)

## Double Pole Double Throw - S86KD



### Dimensions :



86\*86

### Features :

Contact Rating: 3A/125-250VAC

Mechanical Life: 500,000 Tests

Installation Diameter: 19mm

Operating Temperature: -20°C~+55°C(14-131F)